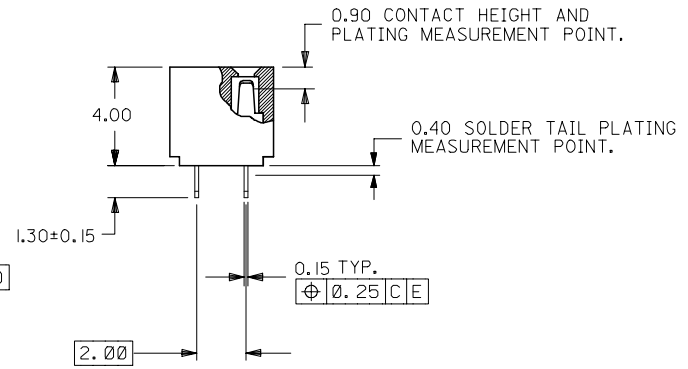
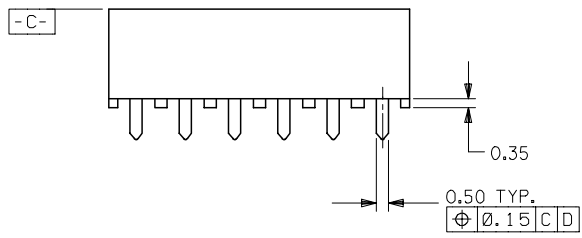
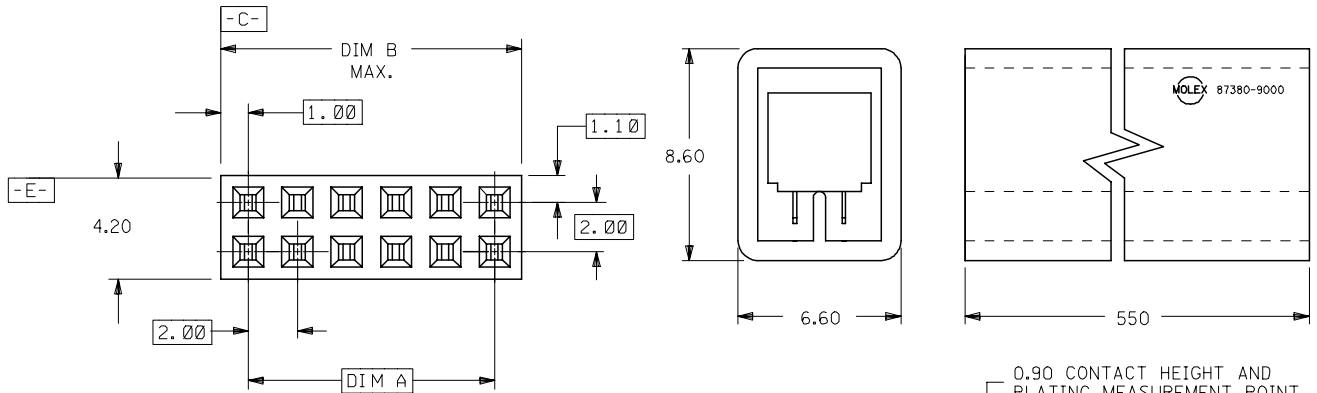
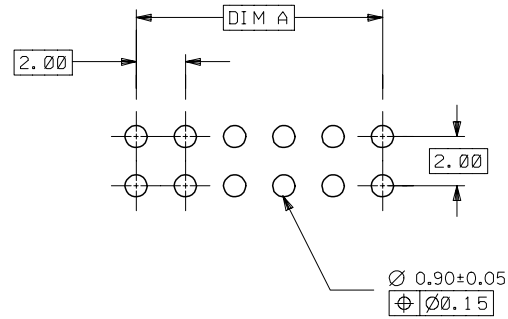


PART NO.	CKT. SIZE	DIM A	DIM B
87380-120*	I2	10.00	12.00



**NOTES:**

- I2 CIRCUIT SIZE SHOWN FOR ILLUSTRATION ONLY. SEE CHART FOR AVAILABLE PART SIZES.
- PRODUCT SPECIFICATION PS-87380 APPLIES.



**RECOMMENDED PCB LAYOUT**  
PC BOARD THK. IS 0.89 ± 0.13mm.

PART NO.	OVERALL	CONTACT AREA	SOLDERTAIL AREA
87380-**06	1.27um/50u" MIN NI	0.38um/15u" MIN GOLD	2.54um/100u" MIN TIN

VOID PART NUMBER EC NO: S2005-0823 DRAWN: LQIAO 2005/05/26 CHKD: PTLIM 2005/05/27 APPR: SLOW 2005/05/28	QUALITY SYMBOLS ▽=0 ▽C=0	GENERAL TOLERANCES (UNLESS SPECIFIED)		DIMENSION STYLE		SCALE	DESIGN UNITS	THIRD ANGLE PROJECTION		
		mm	INCH	MM ONLY	NTS	METRIC	⊙	□	PROJECTION	
REV DESCRIPTION	DRAWN BY DATE	4 PLACES	± ---	± ---	JKACHL I	1991/03/19	TITLE SALES, MGRID 2MM RECEPT. TOP ENTRY T/H 4.00MM HT. 1.30MM SOLDERTAIL	MOLEX INCORPORATED	SHEET NO. 1 OF 1	
		3 PLACES	± ---	± ---	CHECKED BY DATE	JNG				1991/03/20
		2 PLACES	± 0.13	± ---	APPROVED BY DATE	YTYAP				1991/03/20
		1 PLACE	± ---	± ---	MATERIAL NO.	DOCUMENT NO.				SD-87380-**01
		ANGULAR ± 3 °		SEE TABLE		THIS DRAWING CONTAINS INFORMATION THAT IS PROPRIETARY TO MOLEX INCORPORATED AND SHOULD NOT BE USED WITHOUT WRITTEN PERMISSION				