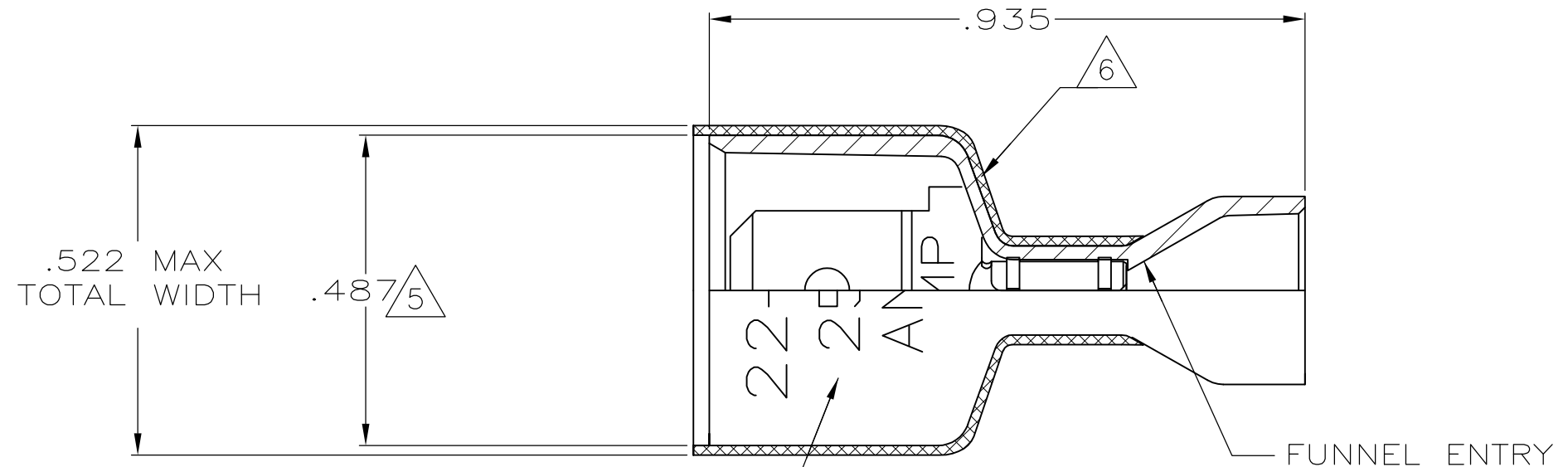


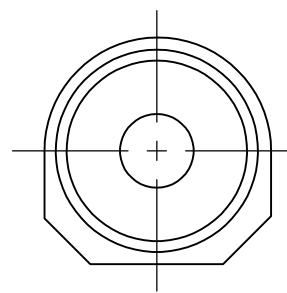
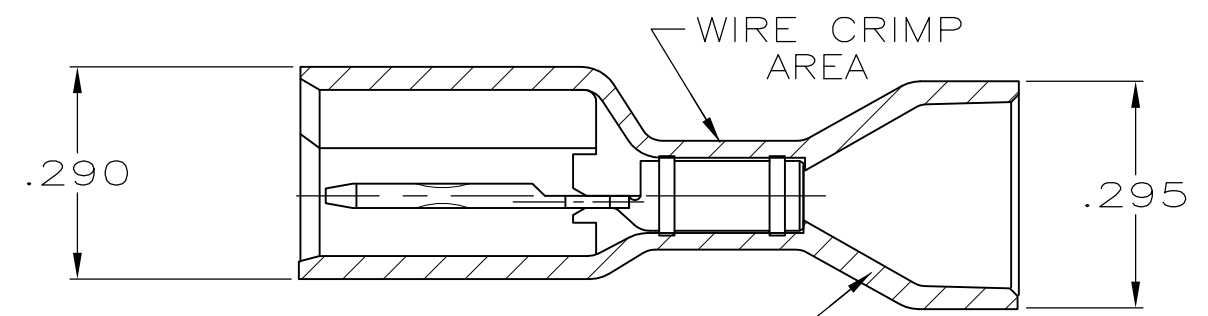
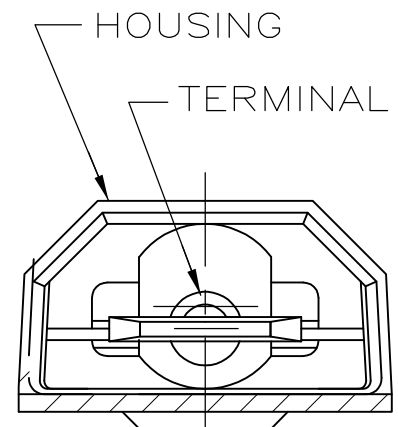
THIS DRAWING IS UNPUBLISHED. RELEASED FOR PUBLICATION  
 © COPYRIGHT - By - ALL RIGHTS RESERVED.

LOC	DIST	REVISIONS			
P	LTR	DESCRIPTION	DATE	DWN	APVD
AF	50	C	REVISED PER ECR-13-004343	30JUL13	KH KR



- 1 TAB DIMENSIONS .032±.001x.250
- 2 WIRE STRIP LENGTH .281
- 3 INSULATION SIZE .230 MAX DIA
- 4 SUPPLIED IN LOOSE PIECE.
- △5 DIMENSION DOES NOT INCLUDE TRIM BURR
- △6 .015 MAX CARRIER TRIM BURR PER SIDE IS ALLOWABLE IN THE SHADED AREA

WIRE AND TAB SIZE IDENTIFICATION } 22-18  
 250  
 AMP



INSULATION GUIDE

HOUSING: NYLON, COLOR-RED TRANSLUCENT TAB: BRASS, TIN	2-521192-2
MATERIAL & FINISH	PART NUMBER

THIS DRAWING IS A CONTROLLED DOCUMENT.		DWN	JR RUTH	9FEB99	 TE Connectivity								
DIMENSIONS: INCHES		CHK	MS FEHER	9FEB99									
		APVD	J HUMMEL	9FEB99									
		PRODUCT SPEC	108-2017										
MATERIAL SEE TABLE		FINISH	SEE TABLE		NAME	TAB ASSEMBLY, LID, ULTRA-FAST, LOOSE PIECE, .250 SERIES, 22-18 AWG							
		APPLICATION SPEC	114-2123		SIZE	A3	CAGE CODE	00779	DRAWING NO	C-521192	RESTRICTED TO	-	
		CUSTOMER DRAWING			WEIGHT	-		SCALE	4:1	SHEET	1 OF 1	REV	C