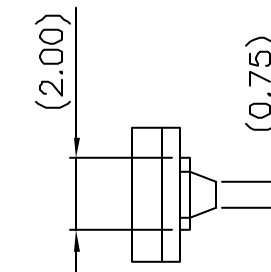
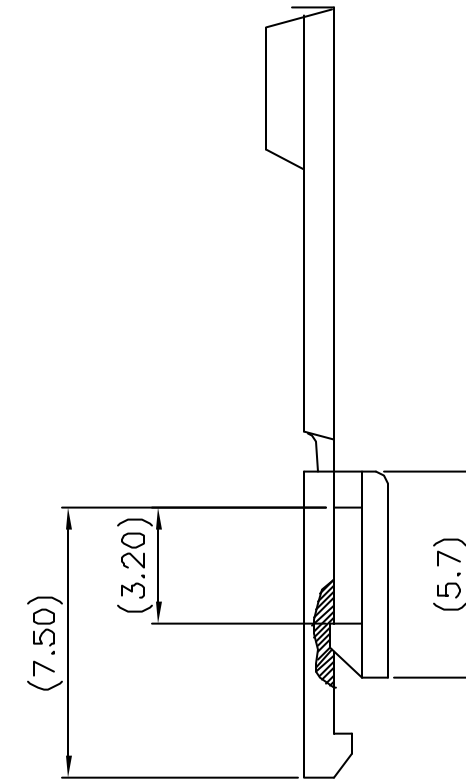
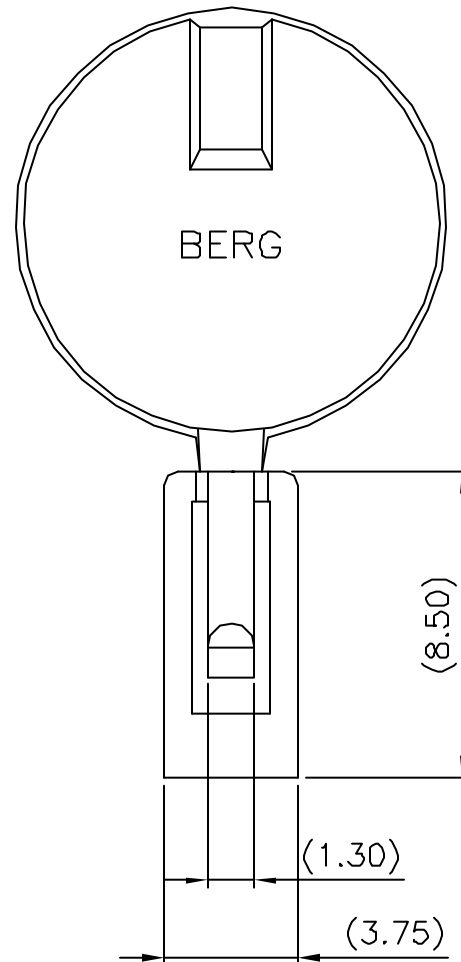


PRODUCT NUMBER
67020-001LF

WHEN REQUIRED, ADD SUFFIX LETTER "LF"
INDICATES THE PRODUCT IS RoHS
COMPATIBLE, SEE NOTE 2



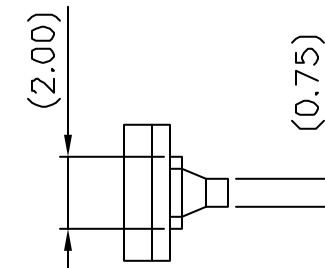
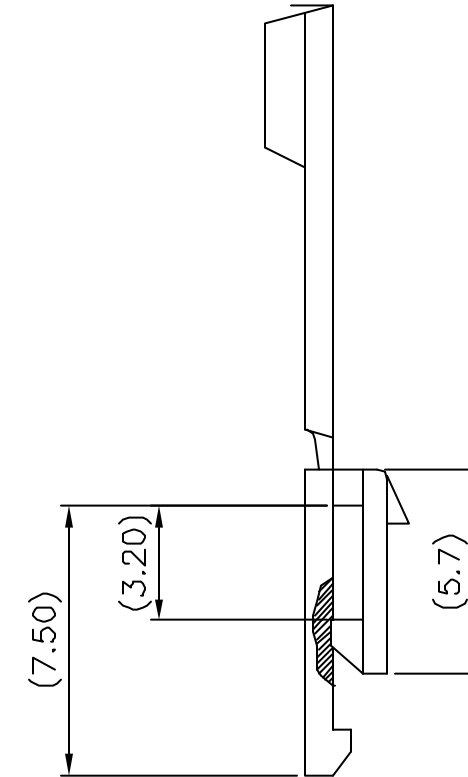
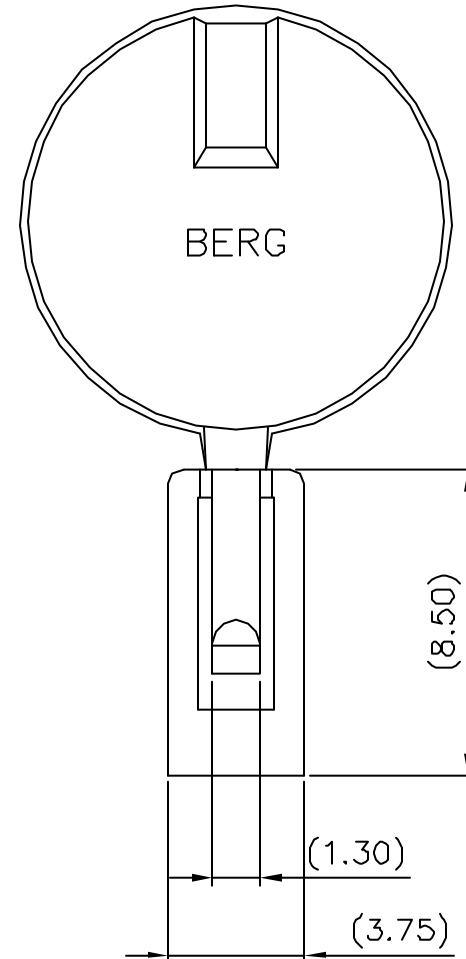
NOTES :

1. MATERIAL : 30% GLASS FIBER POLYESTER
FLAME RETARDANT PER UL 94-V0
COLOUR : GREY (RAL 7038)
2. RoHS COMPATIBLE PRODUCT
 - a - LABELLING:
- MEETS PACKAGING SPECS AS PER GS-14-920
 - b - LEGAL STATEMENT : SEE GS-22-008
 - c - THE PRODUCT IS NOT INTENDED TO BE EXPOSED
TO MANUFACTURING SOLDER PROCESS
 - d - PRODUCT MEETS WITH EU 2002/EG/95

mat'l. code		surface		tolerance		projection		product family	
SEE NOTE 1		ISO 1302 ✓		ISO 406 ISO 1101		mm			
Ltr	ecn na	dr	date	tolerances unless otherwise specified		mm		title	
A	7310	LNA	86.12.18	angles	.X ±0.30	mm		POLARIZING KEY	
B	F05-0257	LMU	05.10.11	Linear	.XX ±0.15	mm		dwg no	
C	F06-0270	LMU	06.09.12		.XXX ±0.05	scale 5:1		sheet 1 of 2	
		dr	LMULIN	05.10.07			size		
		engr	J.COMPAGNON	05.10.07			A3		
		chr					67020		
		appd	JM.C	05.10.07			type		CUSTOMER Drawing
sheet index	revision sheet	C	C						
		1	2						

PRODUCT NUMBER
67020-002LF

WHEN REQUIRED, ADD SUFFIX LETTER "LF"
INDICATES THE PRODUCT IS RoHS
COMPATIBLE, SEE NOTE 2



NOTES :

1. MATERIAL : 30% GLASS FIBER POLYESTER
FLAME RETARDANT PER UL 94-V0
COLOUR : GREY (RAL 7038)

2. RoHS COMPATIBLE PRODUCT

- a - LABELLING:
- MEETS PACKAGING SPECS AS PER GS-14-920
- b - LEGAL STATEMENT : SEE GS-22-008
- c - THE PRODUCT IS NOT INTENDED TO BE EXPOSED
TO MANUFACTURING SOLDER PROCESS
- d - PRODUCT MEETS WITH EU 2002/EG/95

mat'l. code		surface		tolerance		projection		product family	
SEE NOTE 1		ISO 1302 ✓		ISO 406 ISO 1101		mm		title	
Ltr	ecn no	dr	date	tolerances unless otherwise specified		mm		POLARIZING KEY	
A	7310	LNA	86.12.18	angles	.X ±0.30	scale 5:1		dwg no	
B	F05-0257	LMU	05.10.11	Linear	.XX ±0.15	FCJ		sheet 2 of	
C	F06-0270	LMU	06.09.12		.XXX ±0.05			size	
				dr	L.MULIN			67020	
				engr	J.COMPAGNON			A3	
				chr				type	
				appd	JM.C			CUSTOMER Drawing	
sheet index	revision sheet								