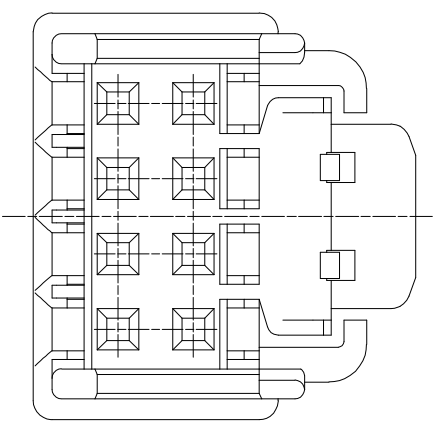
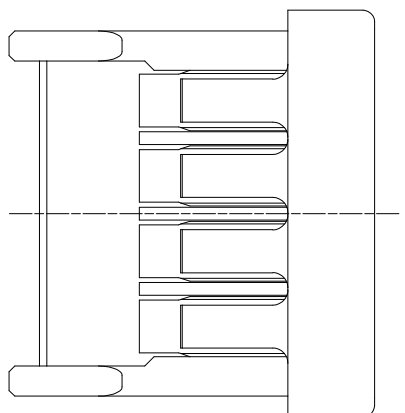
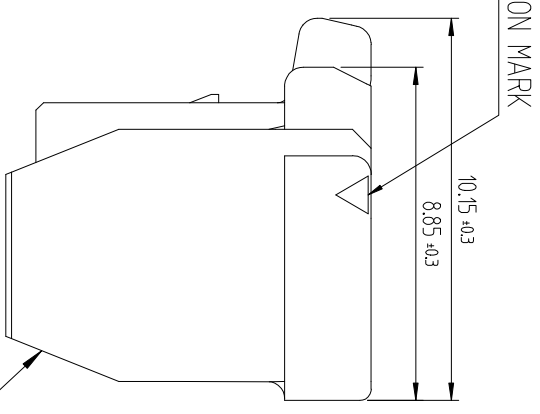
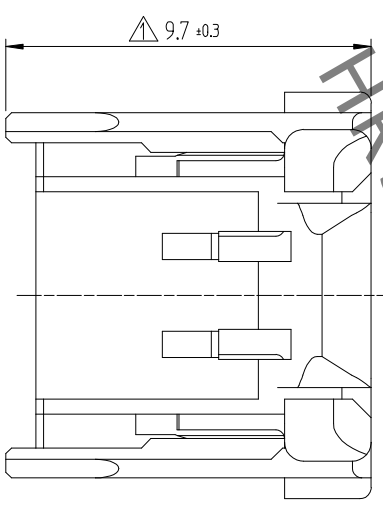
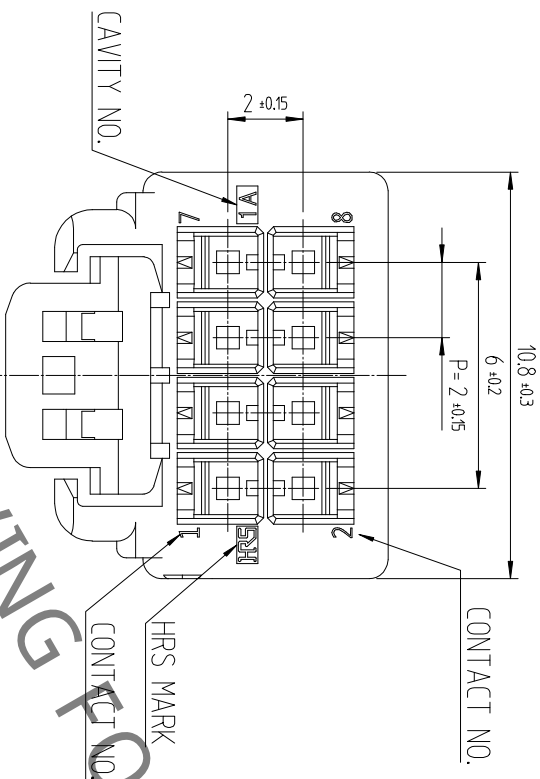


△數 COUNT	訂正事項 DESCRIPTION OF REVISIONS	檢査 CHKD	年月日 DATE	△數 COUNT	訂正事項 DESCRIPTION OF REVISIONS	檢査 CHKD	年月日 DATE
1	RE-6-1150	K.I.Y	18. 07. 04	△			.. .
2	RE-6-1579	K.I.Y	20. 01. 23	△			.. .



HRS DRAWING FOR REFERENCE

1

NOTE 1. 1PACK CONTAINS 100PCS.  
 2. UL(File No. E132750) AUTHORIZATION ARTICLE.  
 C-UL(File No. E132750) AUTHORIZATION ARTICLE.



NO.	MATERIAL	FINISH/REMARKS	NO.	MATERIAL	FINISH/REMARKS
1	PBT	UL 94V-0, BLACK	1	PBT	UL 94V-0, BLACK

SCALE	5:1	DRAWING NO.	EDC3-632501	PART NO.	DF51K-8DS-2C (800)
UNITS	mm			CODE NO.	CL 6652-0027-5-800

