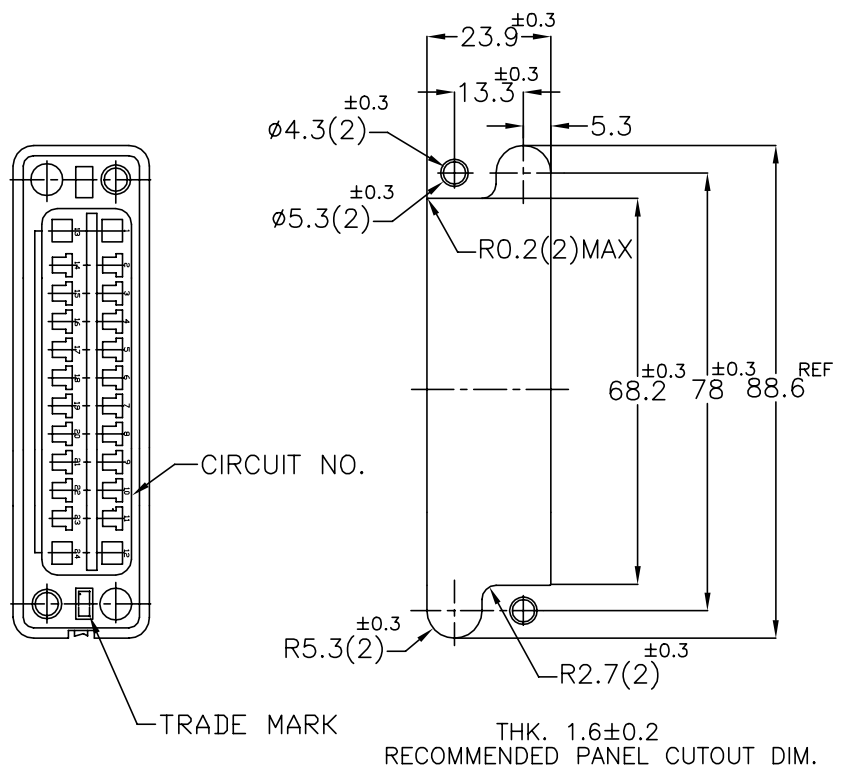
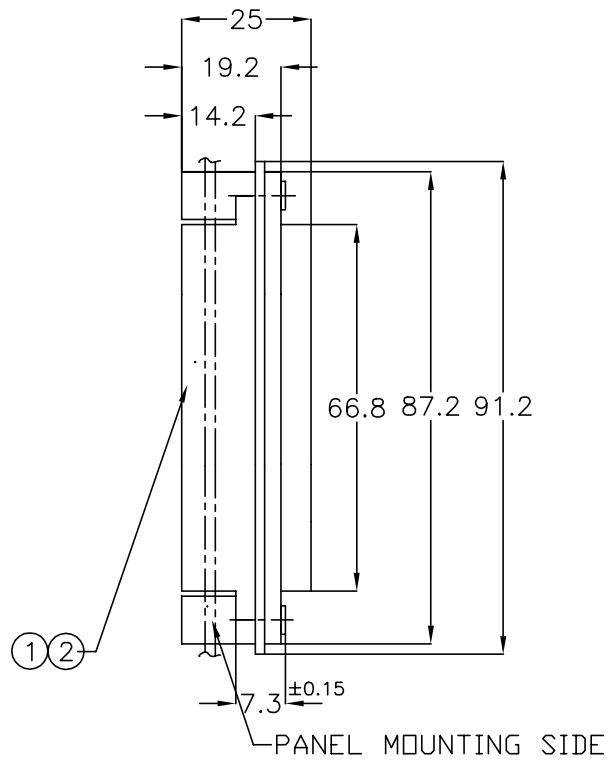
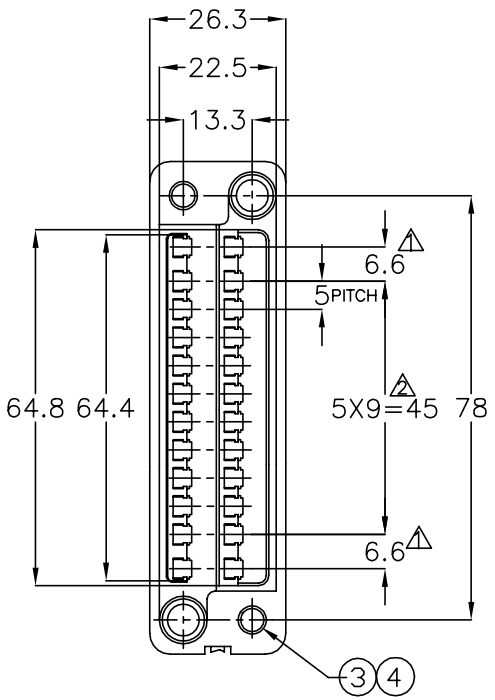


THIS DRAWING IS UNPUBLISHED. RELEASED FOR PUBLICATION
 © COPYRIGHT BY TYCO ELECTRONICS CORPORATION. ALL RIGHTS RESERVED.

LOC	DIST	REVISIONS			
P	LTR	DESCRIPTION	DATE	DWN	APVD
J	-	A1	RELEASED ECR-21-001336	05FEB2021	J.J N.S



- NOTES:
- △ FOR POWER CURCUITS (4POS).
 - 2. FOR SIGNAL CURCUITS (20POS).
 - 3. ACCOMOMDATED CONTACTS ARE STRIP P/N 170311, 170312, 170484 L.P P/N 170313, 170314, 170485
 - 4. MALE HSG P/N IS 172624-1,-3.
 - △ MATERIAL:
HOUSING: PBT 94V-0
BUSH: PB FREE METAL
FINISH: NICKEL PLATED PER AMP SPEC 112-25.

QTY	UNIT	PART NO.	NAME	REMARKS	ITEM No.
2	-	1-172065-3		(4mm)	4
-	2	1-172065-1	FLOATING BUSH ASS'Y	(3mm)	3
1	-	172626-3		24 POS. (4mm)	2
-	1	172626-1	24P DRAWER CONN.FEMALE HSG	24 POS. (3mm)	1
-3	-1	NUMBER	NAME	REMARKS	ITEM No.

THIS DRAWING IS A CONTROLLED DOCUMENT.		DWN 25JUL05 C.ZHU	Tyco Electronics AMP K.K. Kawasaki, Japan													
DIMENSIONS: mm		CHK 26JUL05 I.WANG														
TOLERANCES UNLESS OTHERWISE SPECIFIED:		APVD 26JUL05 S.YAO	NAME 24POS. FEMALE HSG ASS'Y DRAWER CONN.													
<table border="0"> <tr><td>0 PLC</td><td>± 0.4</td></tr> <tr><td>1 PLC</td><td>± 0.4</td></tr> <tr><td>2 PLC</td><td>± 0.4</td></tr> <tr><td>3 PLC</td><td>± 0.4</td></tr> <tr><td>4 PLC</td><td>± 0.4</td></tr> <tr><td>ANGLES</td><td>±</td></tr> </table>		0 PLC	± 0.4	1 PLC	± 0.4	2 PLC	± 0.4	3 PLC	± 0.4	4 PLC	± 0.4	ANGLES	±	PRODUCT SPEC -	SIZE CAGE CODE DRAWING NO RESTRICTED TO A3 00779 C=5172625 -	
0 PLC	± 0.4															
1 PLC	± 0.4															
2 PLC	± 0.4															
3 PLC	± 0.4															
4 PLC	± 0.4															
ANGLES	±															
MATERIAL △	FINISH △	APPLICATION SPEC -	SCALE 1:1 SHEET 1 OF 1 REV A1													
CUSTOMER DRAWING																