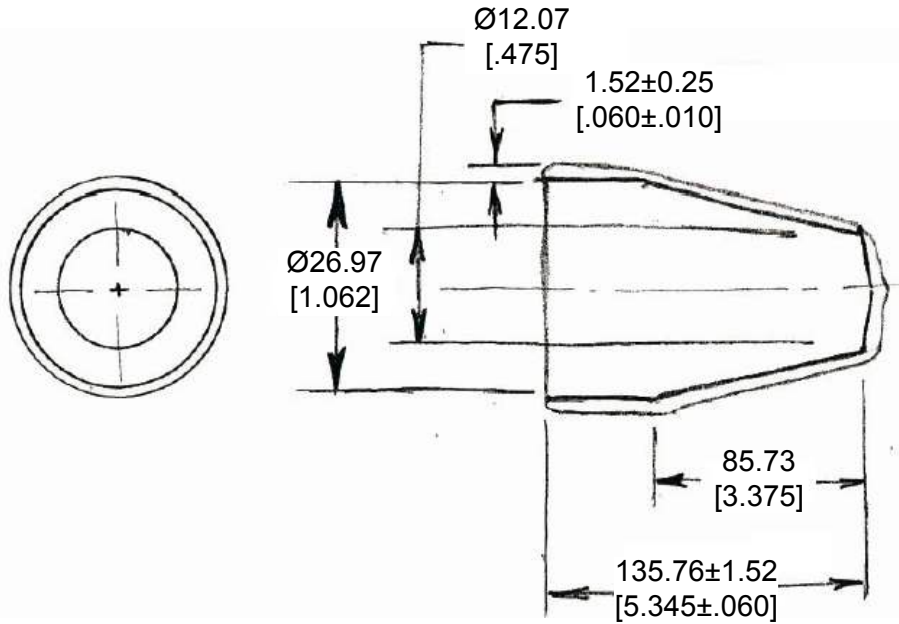


REVISIONS				
P	LTR	DESCRIPTION	DATE	APVD
	A	NEW RELEASE PER ECO-14-012622	08-18-14	DM DM



2014

RELEASED FOR PUBLICATION

THIS DRAWING IS UNPUBLISHED.

ALL RIGHTS RESERVED.

© COPYRIGHT 2014 BY TE CONNECTIVITY

3. PART NO. DTP4S-BT-EN

2. TEMPERATURE RATING: -29°C TO +100°C [-20°F TO +212°F]

1. THIS PART IS USED ON DTP06-4S PLUG WITH ANY MODIFICATION THAT DOES NOT INCLUDE AN END CAP.

DIMENSIONS: MM [INCH]	DWN	D. MEYER 18AUG2014	MATERIAL	PVC	FINISH	GRAY
	CHK	B. MILLIGAN 18AUG2014				
TOLERANCES UNLESS OTHERWISE SPECIFIED:	APVD	D. MEYER 18AUG2014				
0 PLC ±	PRODUCT SPEC	NAME				BOOT, ENHANCED, PLUG, 4PIN
1 PLC ±	APPLICATION SPEC	DTP SERIES				
2 PLC ± 0.63 [.025]		SIZE	CAGE CODE	DRAWING NO	RESTRICTED TO	
3 PLC ±	WEIGHT	A 4	4AFU8	C = DTP4S-BT-EN	-	
4 PLC ±		Customer Drawing				
ANGLES ± 5°	SCALE		NONE	SHEET	1 OF 1	REV
						A