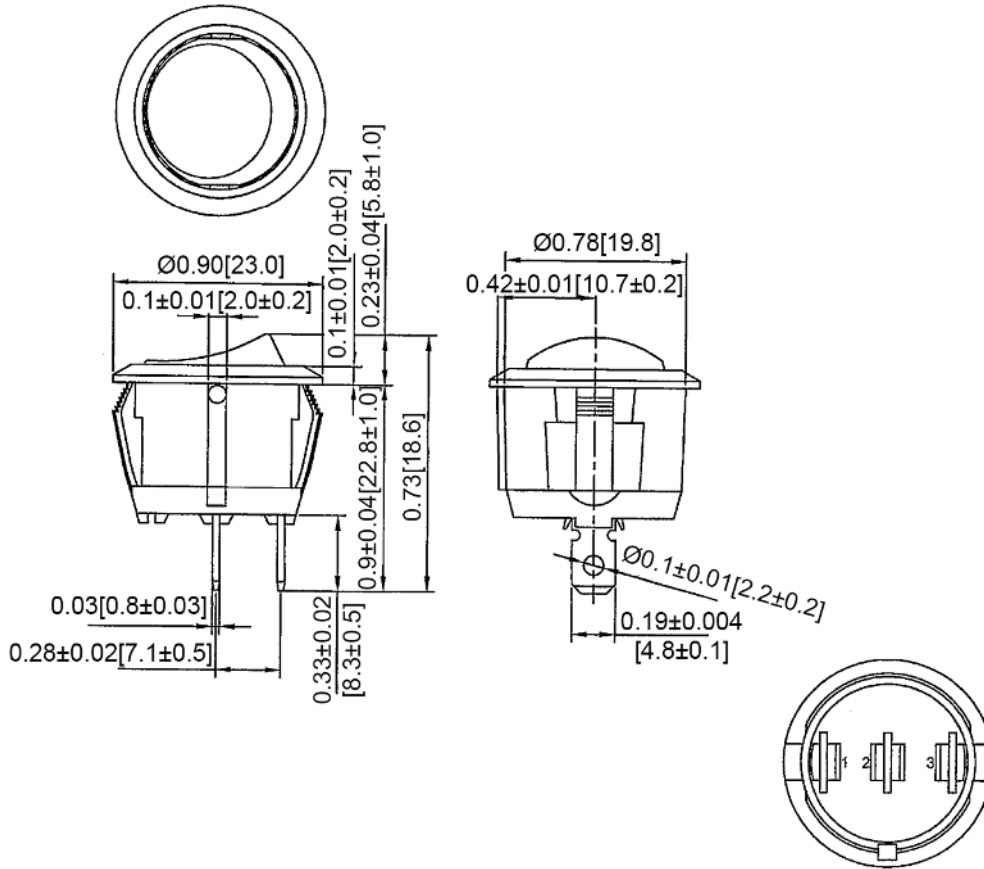
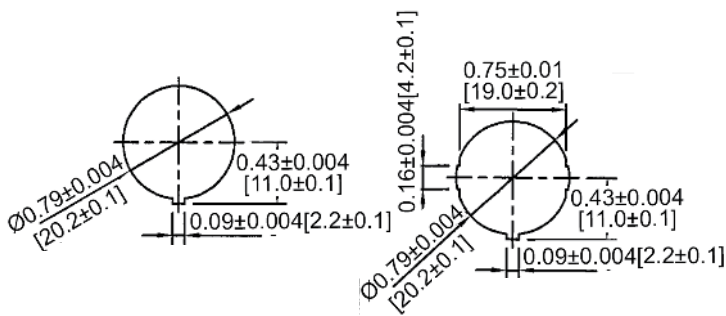


Mechanical Dimensions: Inches [mm]

Tolerances ± 0.012 [0.3] Unless Otherwise Specified



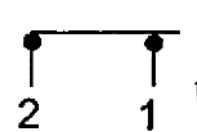
Mounting Hole



Thickness: $0.1 \sim 0.12$ [2.0 ~ 3.0] | $0.03 \sim 0.2$ [0.7 ~ 3.0]

Circuit Diagram

3P SPDT ON-OFF-ON



Electrical Specifications

Rating	20A 14V DC, 10A 28V DC
Contact Resistance	50m ohm Max
Insulation Resistance	DC 500V 100M ohm Min
Dielectric Strength	AC 1500V 1 minute
Operation Temperature	-25°C ~ 85°C

Material Specifications

Frame	Black, Nylon 66
Actuator	Black, Nylon 66
Printed	None

Rev	Date of issue	Revision Notes	Designed	Approved
B	08-09-2021	Initial Drawing	RC	OF