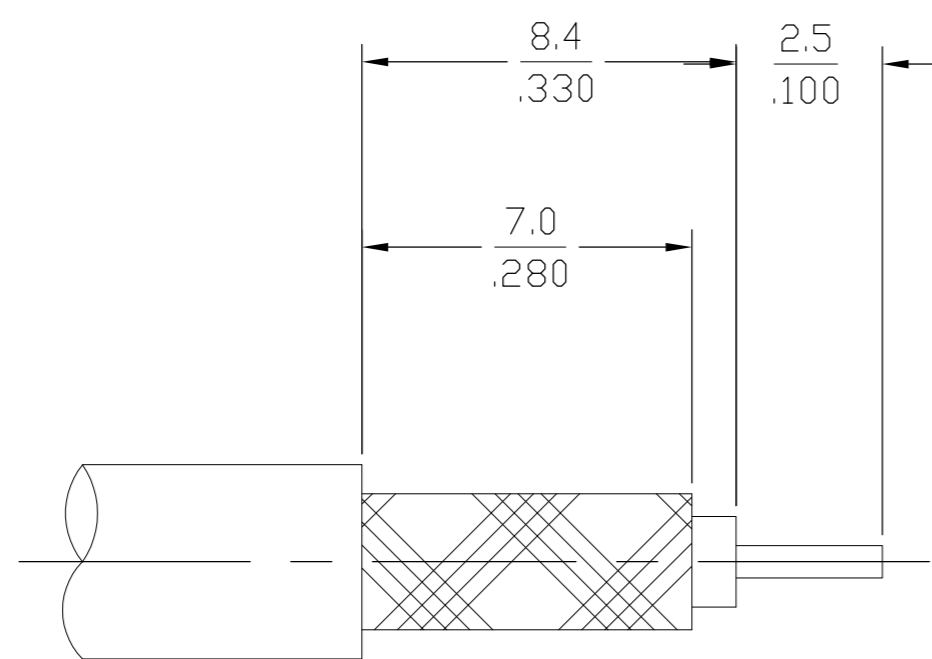
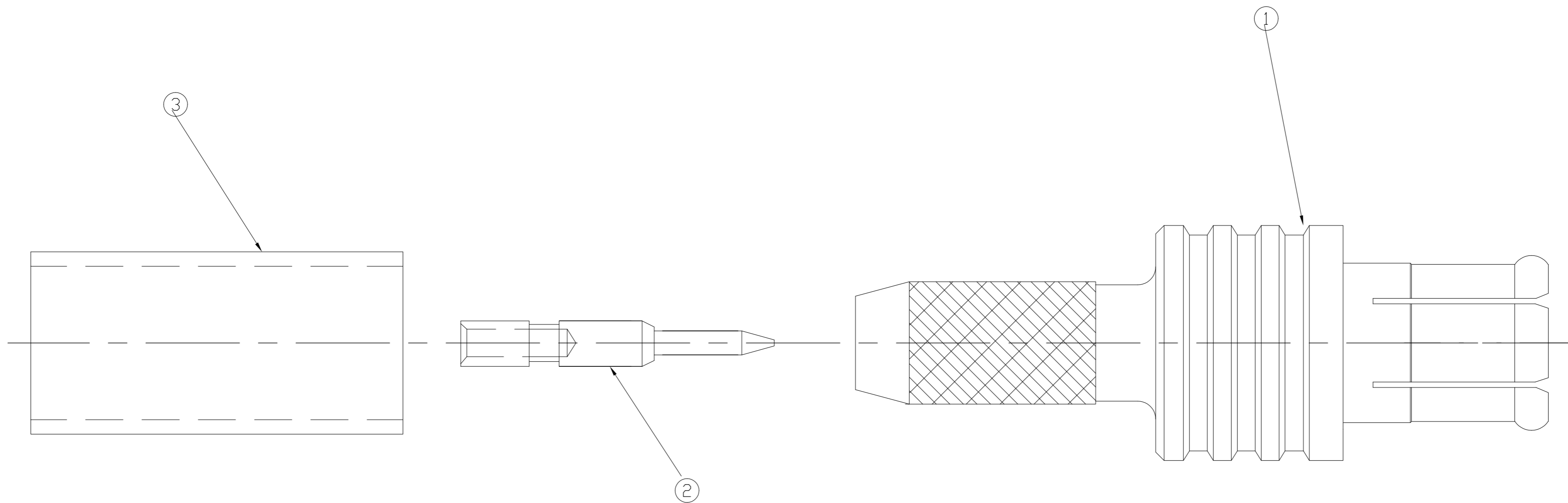


THIS DRAWING IS UNPUBLISHED. RELEASED FOR PUBLICATION
 © COPYRIGHT BY TYCO ELECTRONICS CORPORATION. ALL RIGHTS RESERVED.

LOC		DIST		REVISIONS			
P	LTR	DESCRIPTION		DATE	DWN	APVD	
	C	REV PER ECO 08-007172		26MAR2008	DW	JL	



RECOMMENDED STRIP LENGTH

RD316/U	3-413889-2	1408060-2	1408063-1	1060875-2
RD316/U	2-413889-7	1408060-2	1408063-2	1060875-1
CABLE SIZE	FERRULE (3) QTY=1	CONTACT (2) QTY=1	PLUG ASSEMBLY (1) QTY=1	PART NUMBER

THIS DRAWING IS A CONTROLLED DOCUMENT.		DWN	05APR2007	
DIMENSIONS: INCHES		CHK	-	
TOLERANCES UNLESS OTHERWISE SPECIFIED:		APVD	-	
0 PLC ± -		PRODUCT SPEC	-	
1 PLC ± -		APPLICATION SPEC	-	
2 PLC ± -		408-10131	-	
3 PLC ± -		WEIGHT	-	
4 PLC ± -		CUSTOMER DRAWING	-	
ANGLES ± -		FINISH	-	
MATERIAL		SIZE	A2	00779
		CAGE CODE	C=1060875	
		DRAWING NO	-	
		RESTRICTED TO	-	
		SCALE	10:1	
		SHEET	1 of 1	
		REV	C	