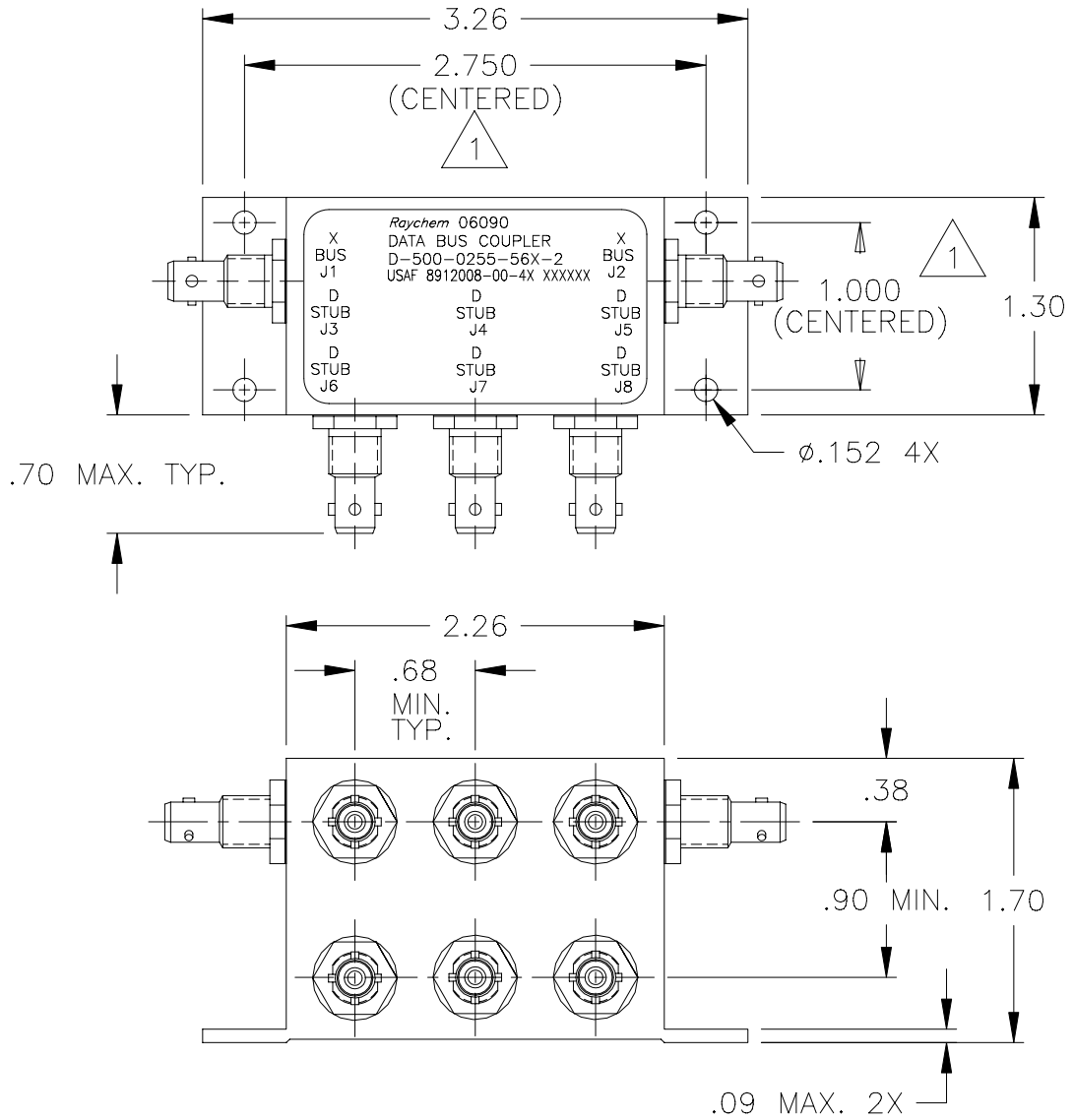


REVISIONS			
LTR	DESCRIPTION	DATE	APPROVED
N/C	INITIAL RELEASE PER ECN# T-16142	91 JUN 10	Z. TEMAN
A	REVISED PER ECN# T-20181		

NOTES:

1 HOLE PATTERN MACHINED SYMMETRIC WITHIN MOUNTING FLANGE.



SIDE MOUNT BUS CONFIGURATION

SPECIFICATION CONTROL DRAWING

If this document is printed it becomes uncontrolled.
Check for the latest revision.

UNLESS OTHERWISE SPECIFIED
DIMENSIONS ARE IN INCHES.
METRIC DIMENSIONS ARE
IN BRACKETS.

DECIMALS
.XXX ± .010 { — mm }
.XX ± .03 { — mm }

ANGLES
.X — ± —

WEIGHT
178 GRAMS MAX.

DRAWN	J.B.K.	91 MAY 6
CHECKED		
APPROVED		
APPROVED	Z.TEMAN	91 JUN 10
CAD NAME	009068-1.DWG	

tyco Electronics		Tyco Electronics Corporation 300 Constitution Drive Menlo Park, CA. 94025 U.S.A.		Raychem	
TITLE 6 STUB, DATA BUS COUPLER W/CORROSION RESISTANT TRIAXIAL BAYONET CONNECTORS					

THIRD ANGLE PROJECTION	
---------------------------	--

SIZE	CODE IDENT. NO.	DWG. NO.	REV
A	06090	D-500-0255-56X-2	A
DO NOT SCALE THIS DRAWING			SHEET 1 OF 2

1.0 INTERMATEABILITY

CONNECTOR BOX JACK	MATING PLUG	KEY ("X")
DK-621-0434-1S (8912004-00-05)	DK-621-0433-1P (8912003-00-01)	A
DK-621-0436-2S (8912004-00-06)	DK-621-0435-2P (8912003-00-02)	B
DK-621-0438-3S (8912004-00-07)	DK-621-0437-3P (8912003-00-03)	C
DK-621-0440-4P (8912004-00-04)	DK-621-0439-4S (8912003-00-08)	D

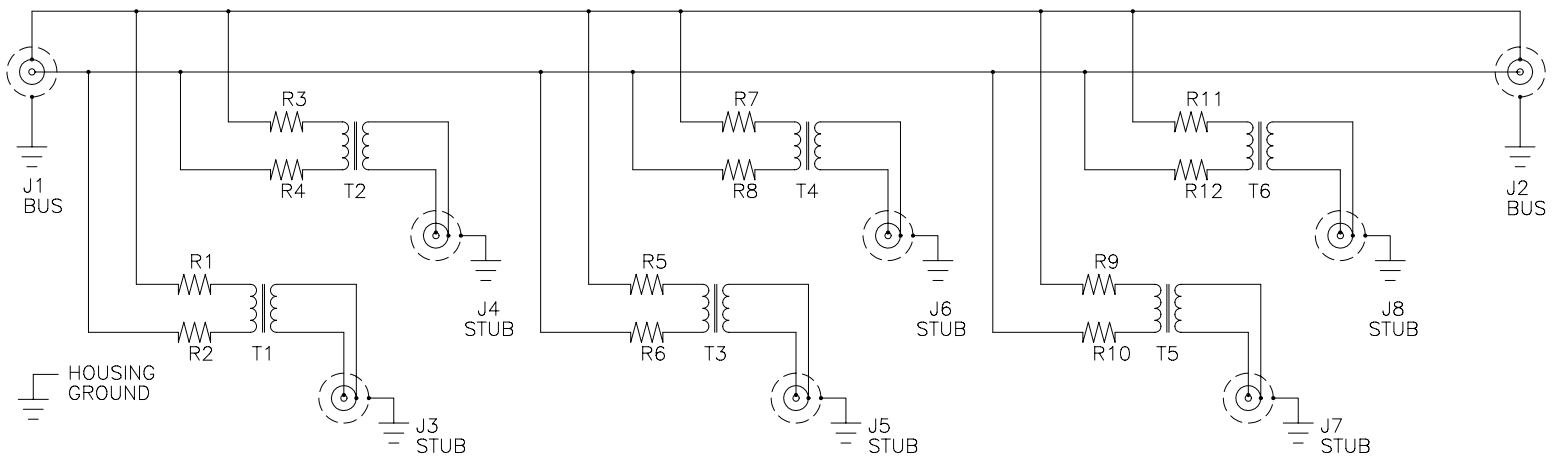
2.0 PERFORMANCE

- 2.1 THIS COUPLER IS DESIGNED TO MEET THE APPLICABLE FUNCTIONAL REQUIREMENT OF RAYCHEM SPECIFICATION D-6021 AND USAF 8912008.
- 2.2 THE COUPLER SHALL OPERATE UNDER ANY OF THE ENVIRONMENTAL SERVICE CONDITIONS AS SPECIFIED IN MIL-E-5400, CLASS ∇ UPGRADED TO 125°C CONTINUOUS OPERATION.
- 2.3 ALTITUDE: SEA LEVEL TO 75,000 FEET
- 3.0

CONNECTOR D-500-0255	BUS JACKS J1 AND J2	STUB JACKS J3 THRU J8
-563-2 (8912008-00-40)	DK-621-0434-1S "A" (8912004-00-01)	DK-621-0440-4P "D" (8912004-00-08)
-565-2 (8912008-00-41)	DK-621-0436-2S "B" (8912004-00-02)	DK-621-0440-4P "D" (8912004-00-08)
-567-2 (8912008-00-42)	DK-621-0438-3S "C" (8912004-00-03)	DK-621-0440-4P "D" (8912004-00-08)

If this document is printed it becomes uncontrolled.
Check for the latest revision.

SCHEMATIC DIAGRAM



CAD NAME: 009068-2	DRAWN	J.B.K.	91 MAY 6	SIZE	CODE IDENT. NO.	DWG. NO.
	ISSUED			A	06090	D-500-0255-56X-2
DO NOT SCALE THIS DRAWING						SHEET 2 OF 2