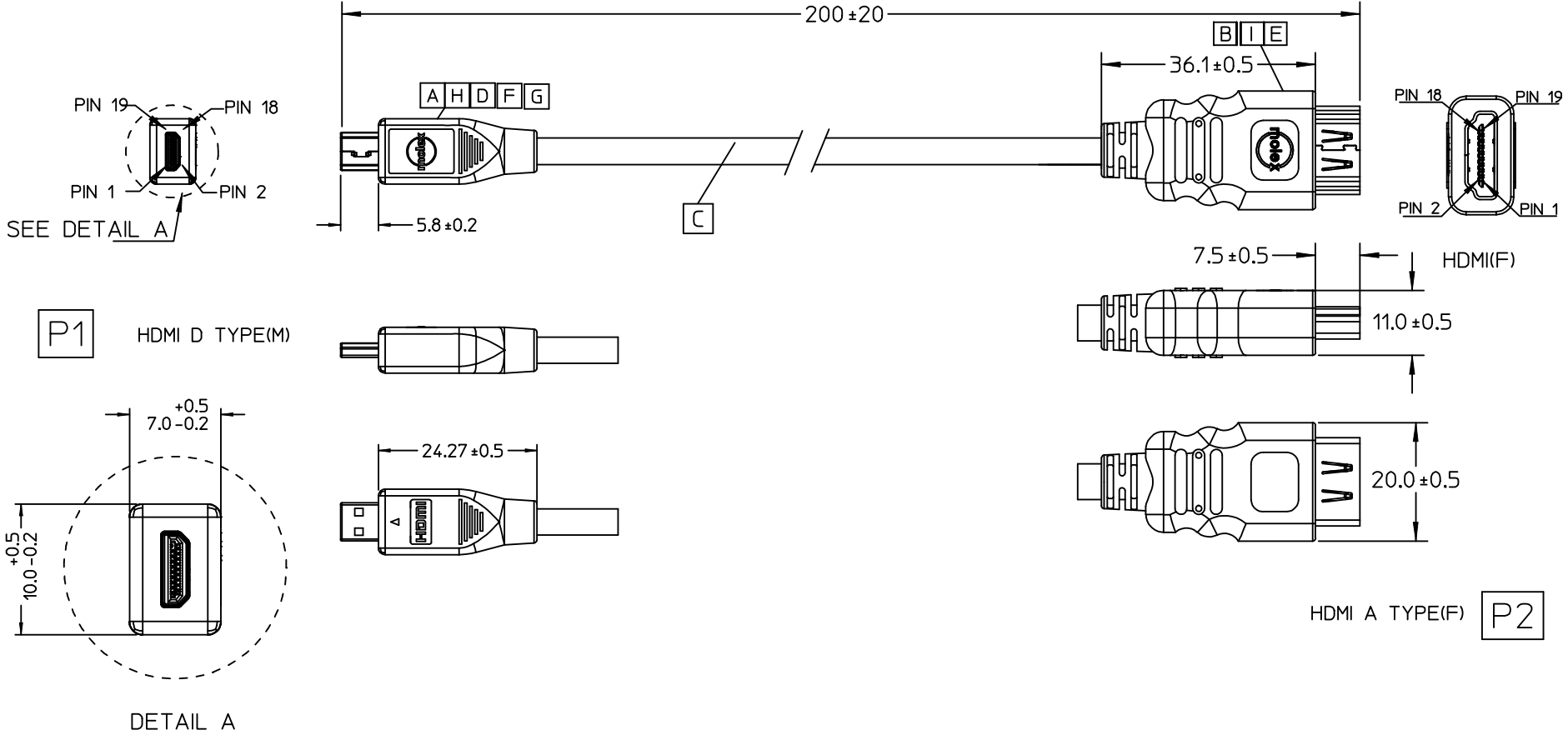


REVISIONS		DESCRIPTION	CHANGER
ECN NO	DATE	REV	
CY11-6680	2011/05/19	D	CHANGE RAW CABLE P/N
CY12-7011	2011/07/08	E	CHANGE COPPER FOIL
CY12-7570	2013/04/11	F	CHANGE DESCRIPTION FOR RAW CABLE
CY15-6308	2015/03/02	G	CHANGE HDMI FEMALE CONNECTOR



ENTER DESCRIPTION EC NO: CPG2015-4637 DRWN: XJHE14 CHKD: AHOU APPR: FNIE 2015/03/06 2015/03/06 2015/03/09	QUALITY SYMBOLS $\nabla_A = 0$ $\nabla_C = 0$ $\nabla_P = 0$	GENERAL TOLERANCES (UNLESS SPECIFIED)		DIMENSION STYLE MM ONLY		SCALE	DESIGN UNITS METRIC	THIRD ANGLE PROJECTION	
			mm	INCH	DRAWN BY XJGU001	DATE 2013/04/13	TITLE MICRO HDMI TO HDMI A RECP ADAPTER		
		4 PLACES \pm ---	\pm ---	\pm ---	CHECKED BY LIU JING	DATE 2013/04/13	molex		
		3 PLACES \pm ---	\pm ---	\pm ---	APPROVED BY	DATE			DOCUMENT NO. SD-68786-003
		2 PLACES ± 0.25	\pm ---	\pm ---					
		1 PLACE ± 0.5	\pm ---	\pm ---					
		0 PLACE \pm ---	\pm ---	\pm ---					
ENTER DESCRIPTION EC NO: CPG2015-4637 DRWN: XJHE14 CHKD: AHOU APPR: FNIE 2015/03/06 2015/03/06 2015/03/09		ANGULAR \pm ---° DRAFT WHERE APPLICABLE MUST REMAIN WITHIN DIMENSIONS		MATERIAL NO. 687860007		DOCUMENT NO. SD-68786-003		SHEET NO. 1 OF 2	
		SIZE A 4		THIS DRAWING CONTAINS INFORMATION THAT IS PROPRIETARY TO MOLEX INCORPORATED AND SHOULD NOT BE USED WITHOUT WRITTEN PERMISSION					

7

6

5

4

3

2

1


P1	FUNCTION	P2	WIRE COLOR
Pin 1	HOT PLUG DETECT	Pin 19	BLACK
Pin 2	UTILITY	Pin14	BROWN
Pin 3	TMDS DATA2+	Pin 1	WHITE
Pin 4	TMDS DATA2 GND	Pin 2	DRAIN WIRE
Pin 5	TMDS DATA2-	Pin 3	RED
Pin 6	TMDS DATA1+	Pin 4	WHITE
Pin 7	TMDS DATA1 GND	Pin 5	DRAIN WIRE
Pin 8	TMDS DATA1-	Pin 6	GREEN
Pin 9	TMDS DATA0+	Pin 7	WHITE
Pin 10	TMDS DATA0 GND	Pin 8	DRAIN WIRE
Pin 11	TMDS DATA0-	Pin 9	BLUE
Pin 12	TMDS COLOK+	Pin 10	WHITE
Pin 13	TMDS COLOK GND	Pin 11	DRAIN WIRE
Pin 14	TMDS COLOK-	Pin 12	YELLOW
Pin 15	CEC	Pin 13	RED
Pin 16	DDC/CEC GND	Pin 17	YELLOW
Pin 17	SCL	Pin 15	GREEN
Pin 18	SDA	Pin 16	BLUE
Pin 19	+5V POWER	Pin 18	WHITE
SHELL		SHELL	BRAID

NOTE:

- BOTH SIDE INNERMOLD WITH PE RESIN.
BOTH SIDE OVERMOLD WITH PVC RESIN.
- THIS CABLE CAN MEET HDMI SPECIFICATION.
- THIS PRODUCT CAN MEET MOLEX PS-40000-5016 ENVIRONMENTAL REQUIREMENTS.

△ Note: TMDS drain wire can be short.

△	I	Double Elect. C.FOIL tape W=6.35mm T=25u	1
△	H	Copper foil 24.6*15.5 mm MicroHDMI HF	1
△	G	Pre-cut Copper foil 25x8mm HF	1
	F	WIRE HOLDER	1
△	E	HDMI Female, Au G/F Solder Type HF	1
	D	LOCTITE 416 GLUE	AS
△△	C	4PX32+7CX32AWG; SHLD; PVC; BK; 4.80; UL20379	AS
△	B	COPPER FOIL	1
	A	MICRO HDMI CONNECTOR	1
	ITEM	DESCRIPTION	QTY.

ENTER DESCRIPTION EC NO: CPG2015-4637 DRW: XLHE14 2015/03/06 CHKD: AHO 2015/03/06 APPR: FNIE 2015/03/09	QUALITY SYMBOLS ▽=0 ▽=0 ▽=0	GENERAL TOLERANCES (UNLESS SPECIFIED)		DIMENSION STYLE MM ONLY	SCALE 1:1	DESIGN UNITS METRIC	THIRD ANGLE PROJECTION	
				DRAWN BY XJGU001	DATE 2013/04/13	TITLE MICRO HDMI TO HDMI A RECP ADAPTER		
				CHECKED BY LIU JING	DATE 2013/04/13			
				APPROVED BY	DATE			
G	REV	ANGULAR ±---° DRAFT WHERE APPLICABLE MUST REMAIN WITHIN DIMENSIONS		SIZE A4	THIS DRAWING CONTAINS INFORMATION THAT IS PROPRIETARY TO MOLEX INCORPORATED AND SHOULD NOT BE USED WITHOUT WRITTEN PERMISSION			

6

5

4

3

2

1