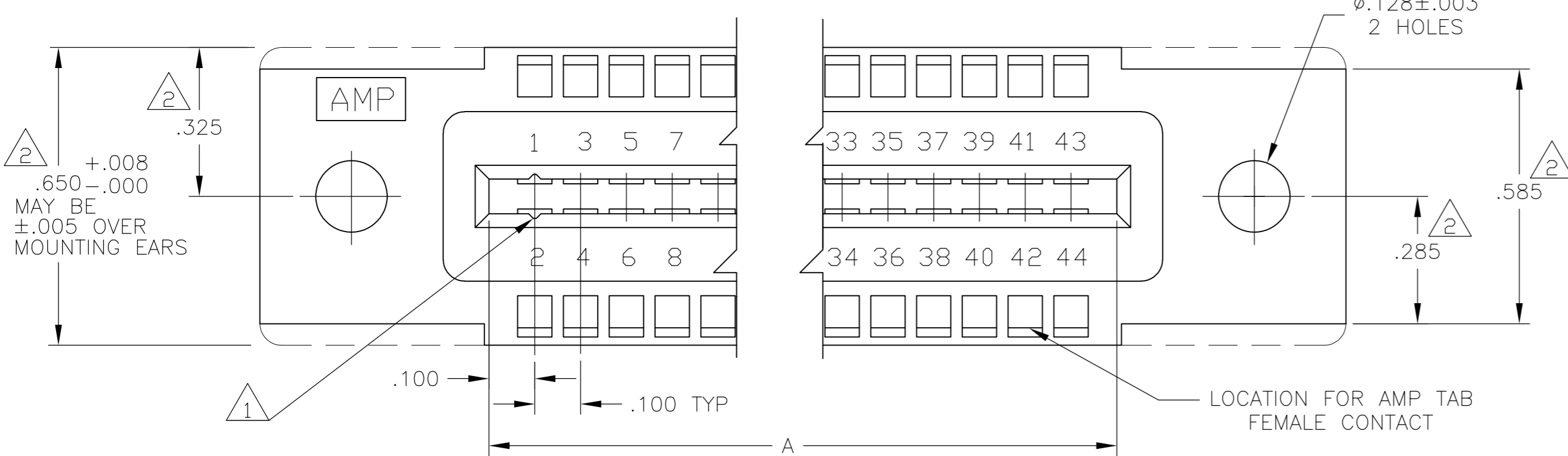
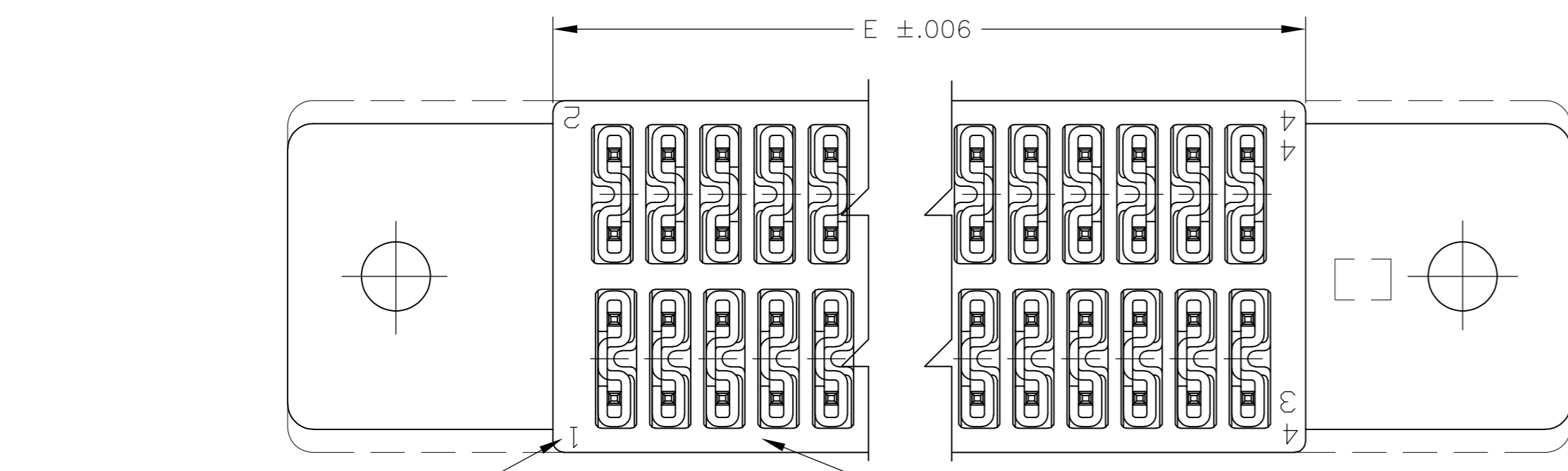
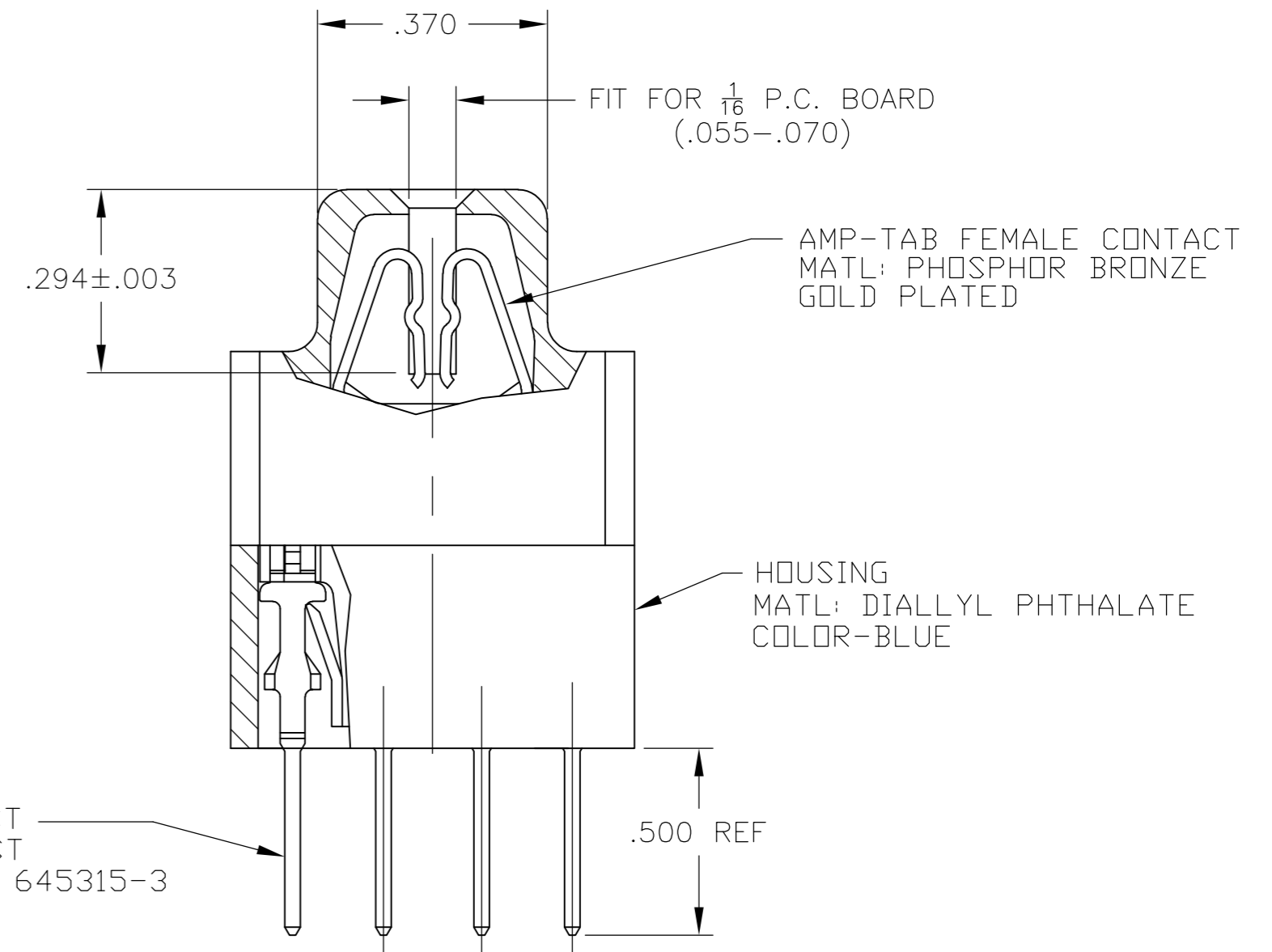
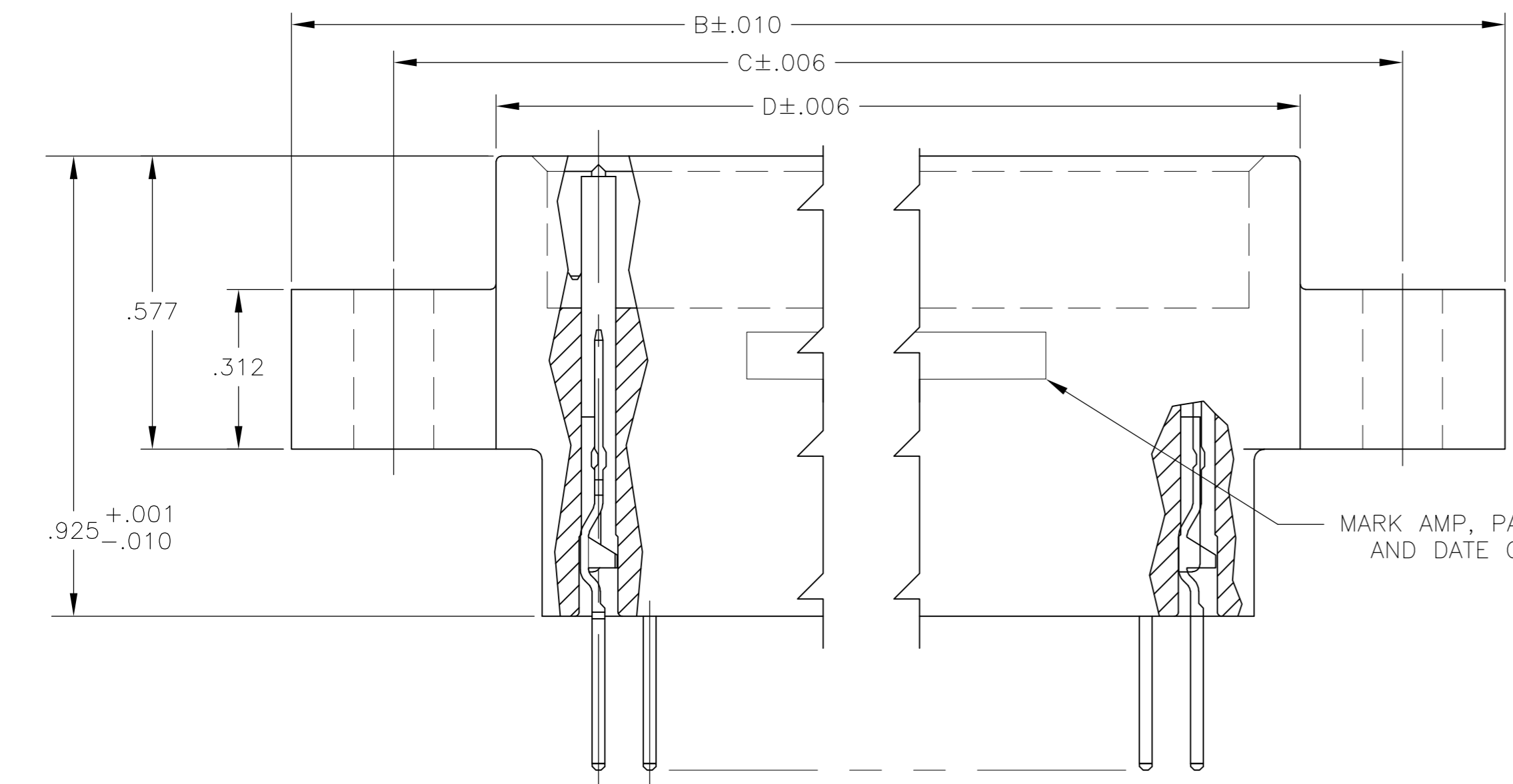


THIS DRAWING IS UNPUBLISHED. RELEASED FOR PUBLICATION
 © COPYRIGHT BY TYCO ELECTRONICS CORPORATION. ALL INTERNATIONAL RIGHTS RESERVED.

LOC		DIST		REVISIONS			
P	LTR	DESCRIPTION	DATE	DWN	APVD		
M		ECO-08-029262	26JUN0909	PY	DE		



- 1 GROOVES FOR "ON CONTACT KEYING" AMP'S OPTION DEPENDING ON METHOD OF MANUFACTURE. FOR "ON CONTACT" KEYING, USE KEYING PLUG 583487-1 (MUST BE ORDERED SEPARATELY)
- 2 MOUNTING EAR CONFIGURATION AMP'S OPTION DEPENDING ON METHOD OF MANUFACTURE



	2.320	2.500	2.900	3.300	2.300	22	645224-4
OBsolete	1.920	2.100	2.500	2.900	1.900	18	645224-3
	1.620	1.800	2.200	2.600	1.600	15	645224-2
	1.120	1.300	1.700	2.100	1.100	10	645224-1
	DIM E	DIM D	DIM C	DIM B	DIM A	POSN	PART NO.

THIS DRAWING IS A CONTROLLED DOCUMENT.

DWN: P. YEAGER 26JUN2009
 CHK: D. EABY 26JUN09
 APVD: D. EABY 26JUN09

Tyco Electronics Corporation
 Harrisburg, PA 17105-3608

AMP TAB CONNECTOR ASSY
 .100 CENTERS, QUAD

SIZE: A2 CAGE CODE: 00779 C=645224
 SCALE: 4:1 SHEET: 1 of 1 REV: M

DIMENSIONS: INCHES
 TOLERANCES UNLESS OTHERWISE SPECIFIED:
 0 PLC ± -
 1 PLC ± -
 2 PLC ± -
 3 PLC ± .005
 4 PLC ± .0005
 ANGLES ± 0°30'

MATERIAL: SEE CALLOUTS
 FINISH: SEE CALLOUTS

WEIGHT: -
 CUSTOMER DRAWING