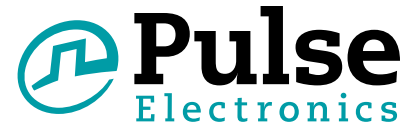


High Isolation Power Transformers

PA3964.XXXNL and PA3965.XXXNL - SMT



- Power Range:** up to 10W
- Height:** 7.0mm to 14.0mm Max
- Footprint:** 18.0mm x 15.6mm Max
- Topology:** Forward, Flyback and Push-pull
- Isolation:** 5.0kVrms (1000Vrms continuous)
- Insulation:** Basic, 12mm creepage and clearance distance
- Patent Pending:**

Electrical Specifications @ 25°C - Operating Temperature -40°C to +130°C²

Part Number	Parameter	Winding Configuration	Value	Notes
PA3964.001NL	Pri. Inductance	(1-2)	15.6mH ± 15%	
	Lk. Inductance	(1-2) with (3, 4, 5, 8) shorted	1.4µH MAX	
	DCR	(1-2)	1000mΩ MAX	
		(3-4)	570mΩ MAX	
		(5-8)	450mΩ MAX	
Hi-Pot	Pri-Sec	5000Vrms		
PA3964.002NL	Pri. Inductance	(3-4)	0.51mH ± 15%	
	Lk. Inductance	(5-8) with (6,7) and (1,2,3,4) shorted	1.4µH MAX	
	DCR	(5-6)=(7-8)	115mΩ MAX	
		(1-2)=(3-4)	162mΩ MAX	
	Hi-Pot	Pri-Sec	5000Vrms	
PA3965.001NL	Pri. Inductance	(1-2)	680µH ± 15%	
	Lk. Inductance	(1-2) with (3,4,5,8) shorted	15µH MAX	
	DCR	(1-2)	1870mΩ MAX	
		(3-4)	290mΩ MAX	
		(5-8)	90mΩ MAX	
Hi-Pot	Pri-Sec	5000Vrms		
PA3965.002NL	Pri. Inductance	(1-2)	680µH ± 15%	
	Lk. Inductance	(1-2) with (3,4,5,8) shorted	15µH MAX	
	DCR	(1-2)	1870mΩ MAX	
		(3-4)	290mΩ MAX	
		(5-8)	25mΩ MAX	
Hi-Pot	Pri-Sec	5000Vrms		

High Isolation Power Transformers

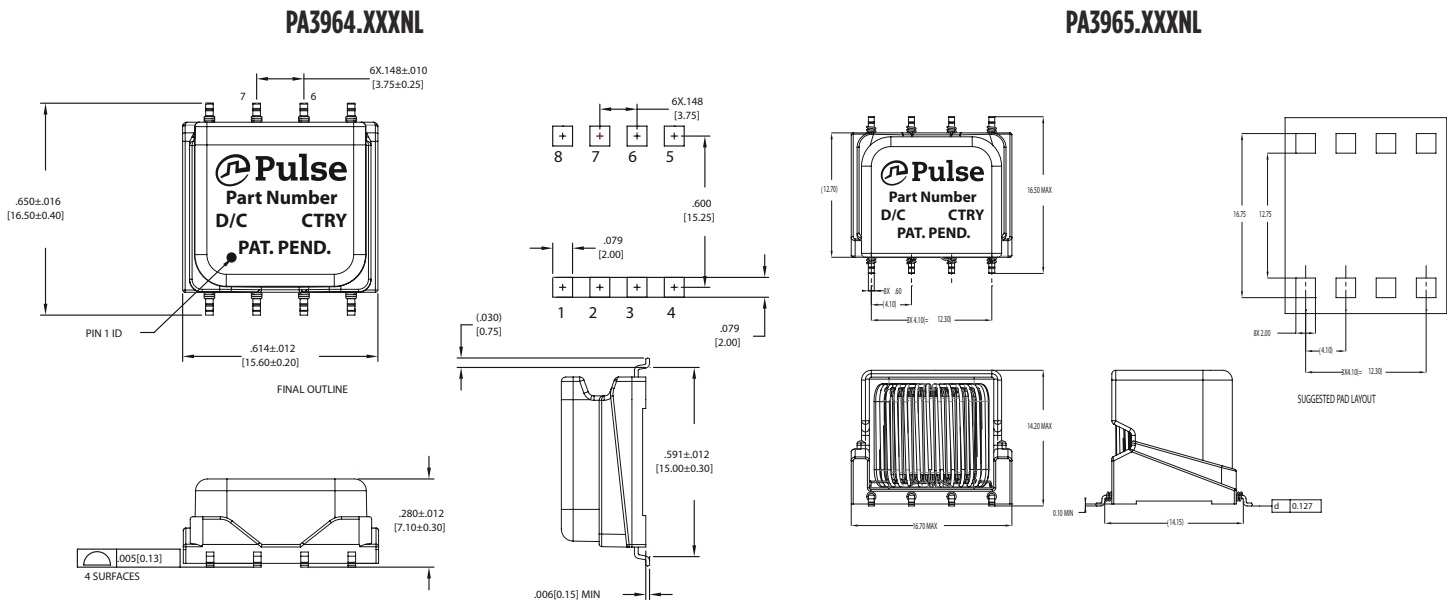
PA3964.XXXNL and PA3965.XXXNL - SMT

Notes:

1. The temperature of the component (ambient plus temperature rise) must be within the stated operating temperature range.
2. Continuous isolation voltage confirmed by 125°C/1000hrs accelerated aging with the bias voltage applied between primary and secondary windings.
3. Optional Tape & Reel packaging can be ordered by adding a "T" suffix to the part number (i.e. PA3964.001NL becomes PA3964.001NLT). Pulse complies with industry standard tape and reel specification EIA481. The tape and reel for this product has a width (W=32mm), pitch (Po=24mm) and depth (Ko) is equal to 8.0 for PA3964.XXXNL and 14.5 for PA3965.XXXNL. PA3964.XXXNL has 300pcs per reel. PA3965.XXXNL has 150pcs per reel.
4. US Patent application number: 13/291,545

Mechanicals

PA3964.XXXNL and PA3965.XXXNL



For More Information

Pulse Worldwide Headquarters

15255 Innovation Drive Ste 100
San Diego, CA 92128
U.S.A.

Tel: 858 674 8100
Fax: 858 674 8262

Pulse Europe

Pulse Electronics GmbH
Am Rottland 12
58540 Meinerzhagen
Germany

Tel: 49 2354 777 100
Fax: 49 2354 777 168

Pulse China Headquarters

B402, Shenzhen Academy of
Aerospace Technology Bldg.
10th Kejinan Road
High-Tech Zone
Nanshan District
Shenzhen, PR China 518057

Tel: 86 755 33966678
Fax: 86 755 33966700

Pulse North China

Room 2704/2705
Super Ocean Finance Ctr.
2067 Yan An Road West
Shanghai 200336
China

Tel: 86 21 62787060
Fax: 86 2162786973

Pulse South Asia

135 Joo Seng Road
#03-02
PM Industrial Bldg.
Singapore 368363

Tel: 65 6287 8998
Fax: 65 6287 8998

Pulse North Asia

3F, No. 198
Zhongyuan Road
Zhongli City
Taoyuan County 320
Taiwan R. O. C.

Tel: 886 3 4356768
Fax: 886 3 4356823 (Pulse)
Fax: 886 3 4356820 (FRE)

Performance warranty of products offered on this data sheet is limited to the parameters specified. Data is subject to change without notice. Other brand and product names mentioned herein may be trademarks or registered trademarks of their respective owners. © Copyright, 2017. Pulse Electronics, Inc. All rights reserved.