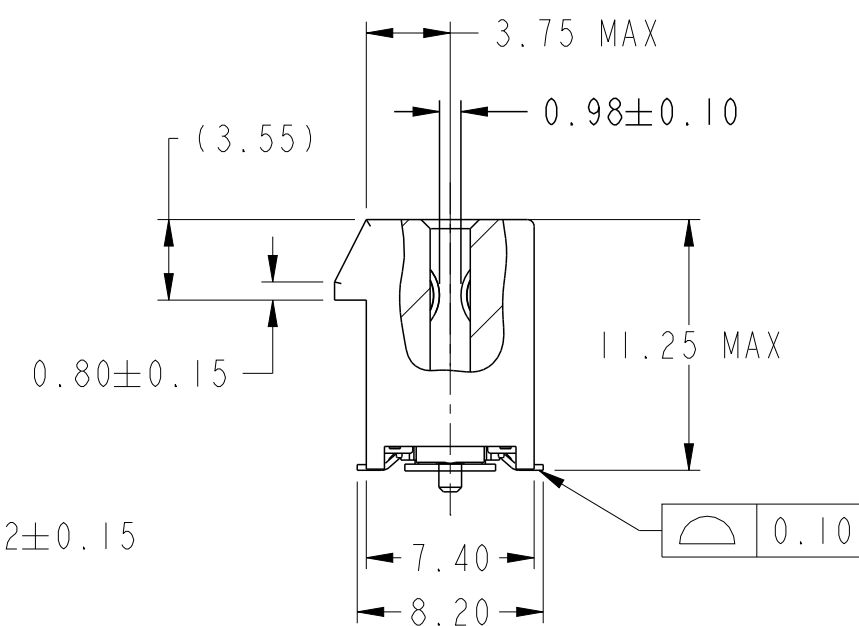
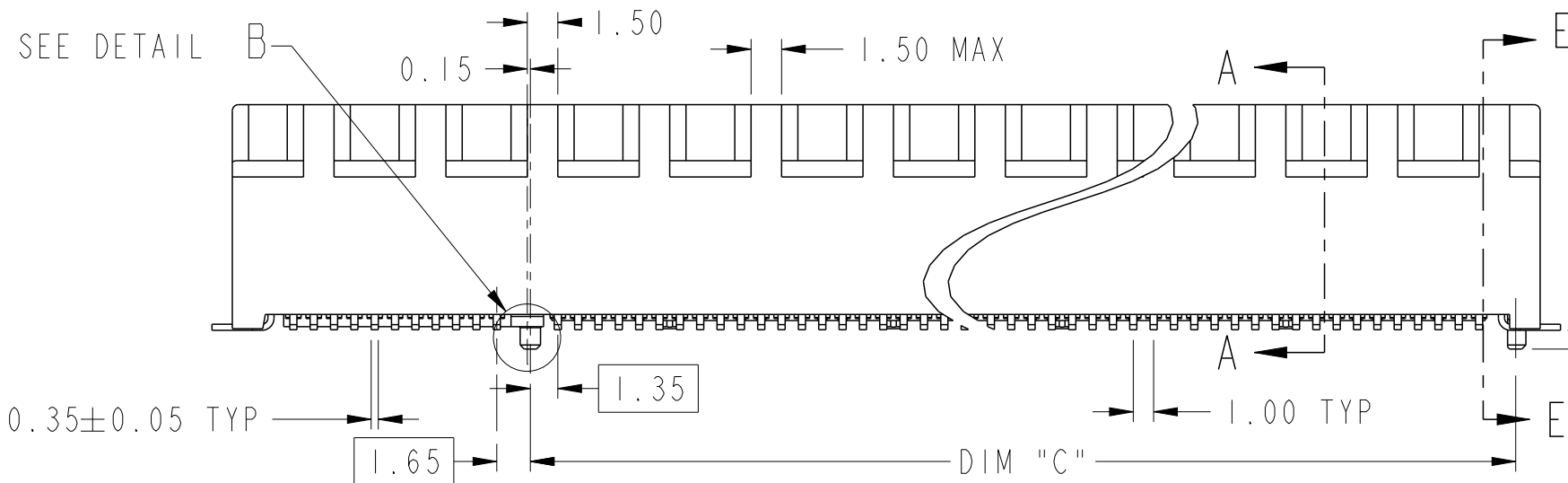
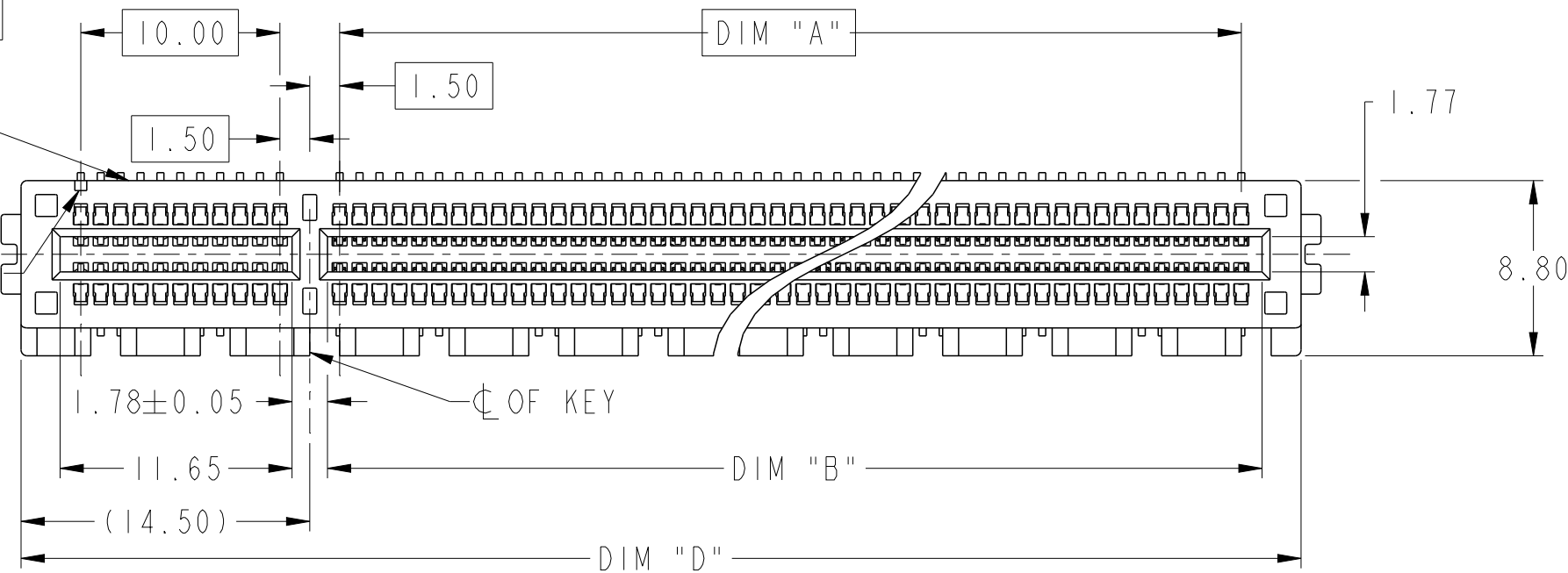


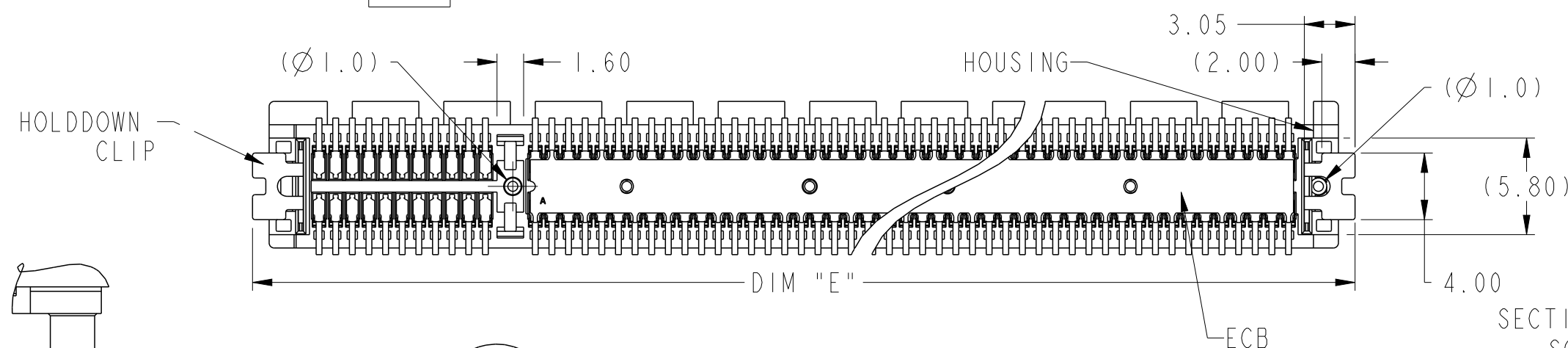
PRODUCT PARTNUMBER  
10146070-1XXXXLF

PARTNO &  
DATECODE

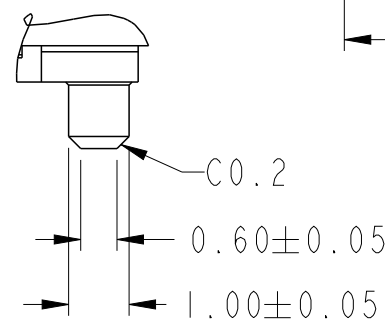
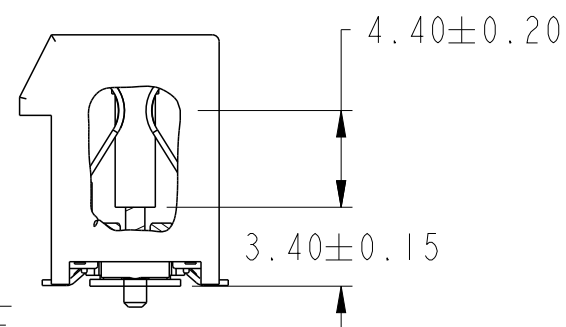
#A1 IDENTIFIER



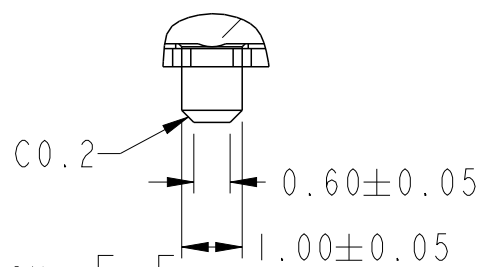
SECTION A-A



SECTION E-E  
SCALE 3:1



DETAIL B  
SCALE 8:1



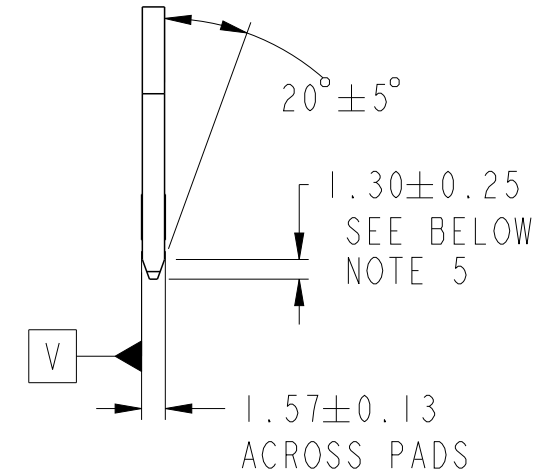
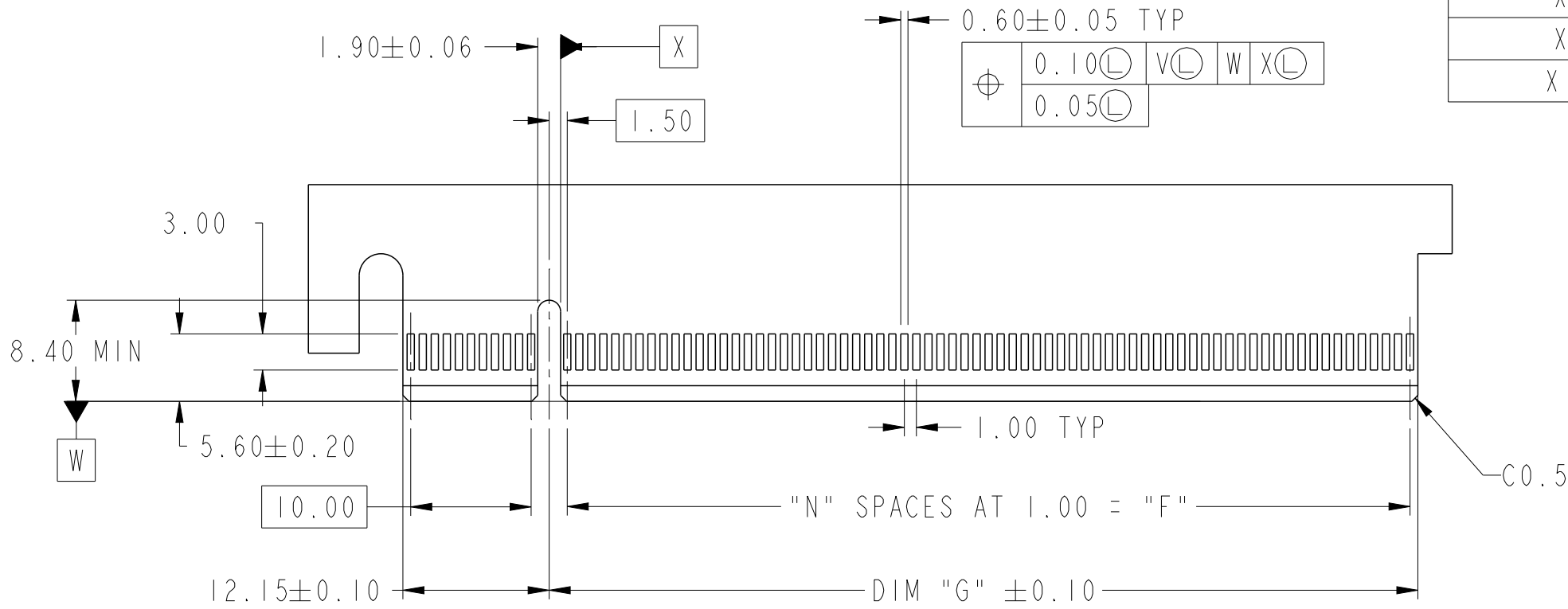
SECTION E-E  
SCALE 8:1

spec ref	-	dr	Cheong, Matthe	2018/01/09
tolerance std	ISO 406 ISO 1101	eng	Cheong, Matthe	2020/12/07
	TOLERANCES UNLESS OTHERWISE SPECIFIED	chr	-	-
		appr	Koon-Poh Tay	2020/12/17
surface	linear	0.X	±0.30	
		0.XX	±0.20	
		0.XXX	±0.1	
	angular	0°	±2°	

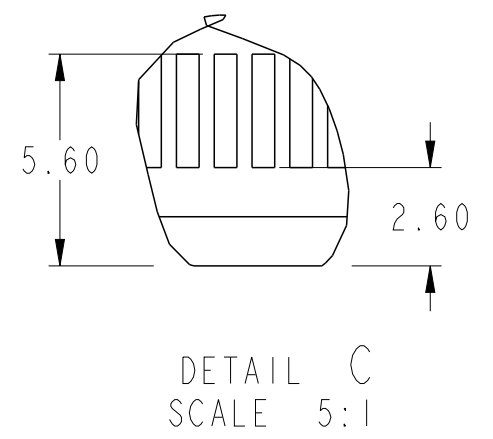
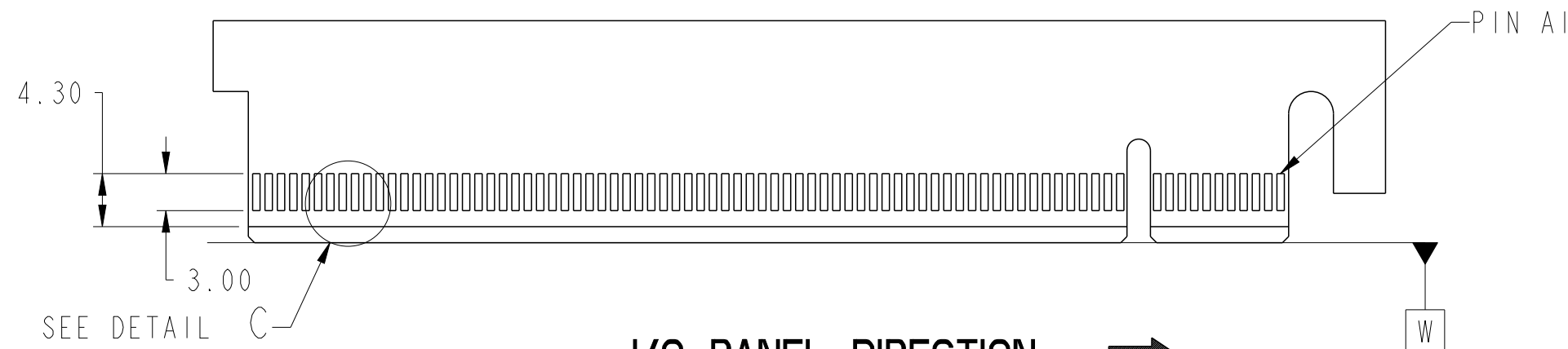
Amphenol FCI	PCI Express Gen 5 (32Gb/s)
www.fci.com	SMT Type
cat. no.	-

projection	MM	size	A3	scale	3:1
product family	PCI express	ecn no	ELX-S-39228-1	rel level	Released
dwg no	10146070	rev	E	Product - Customer Drw	sheet 1 of 5

CONNECTOR LINK WIDTH	POSITION	N	DIM "G"	DIM "F"
X1	36	6	8.15	6.00
X4	64	20	22.15	20.00
X8	98	37	39.15	37.00
X16	164	70	72.15	70.00



← I/O PANEL DIRECTION  
PRIMARY (COMPONENT) SIDE



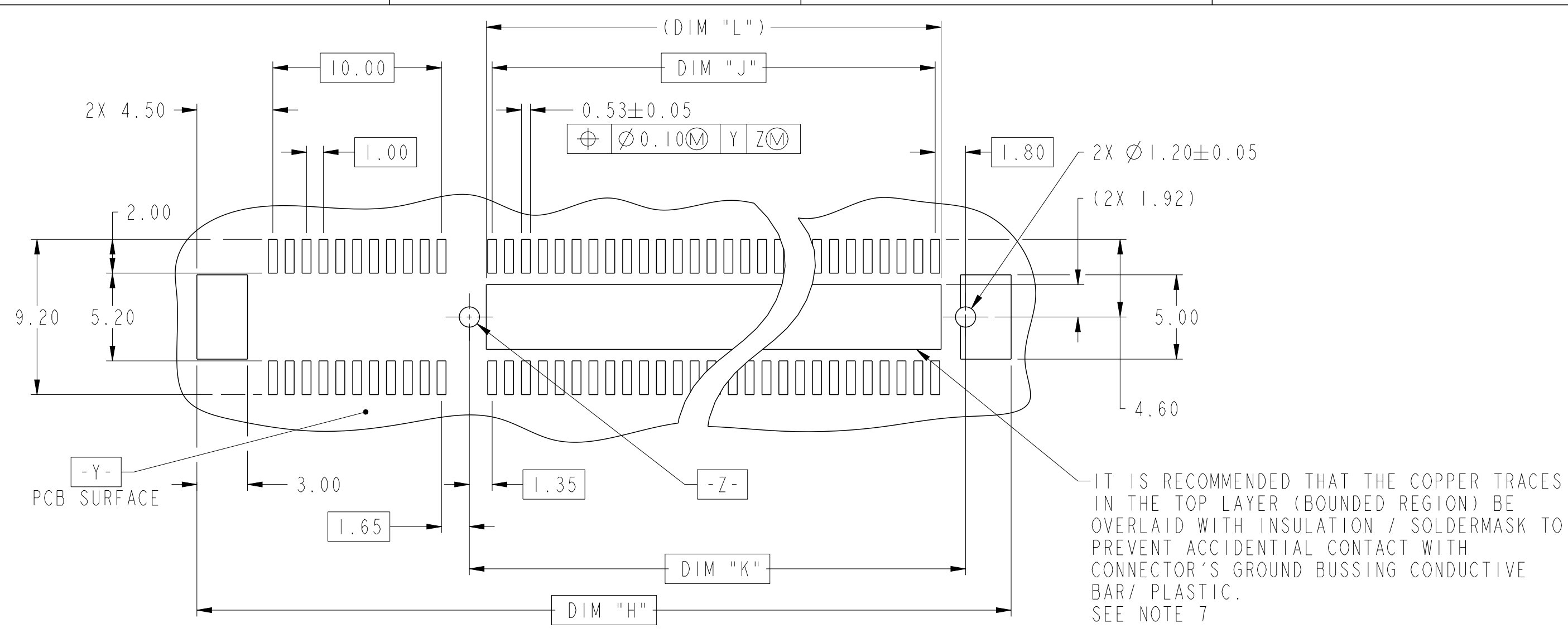
I/O PANEL DIRECTION →  
SECONDARY (SOLDER) SIDE

- NO TIE BAR PERMITTED FROM CARD EDGE TO LEADING EDGE OF PAD FOR PIN A1 AND PIN "L".
- CHAMFER EDGES MUST BE FREE FROM CUTTING BURRS.
- TOLERANCES : ±0.13.
- CONTACT AFCI ENGINEERING FOR SI REPORT.
- ADD-IN-CARD GOLD FINGER DESIGN REFERENCED CEM REV 5.0 VER 0.7 JUNE 29, 2020.

spec ref	-	dr	Cheong, Matthe	2018/01/09	projection	MM	size	A3	scale	2:1		
tolerance std	ISO 406 ISO 1101	eng	Cheong, Matthe	2020/12/07			ecn no	ELX-S-39228-1				
TOLERANCES UNLESS OTHERWISE SPECIFIED		chr	-	appr			Koon-Poh Tay	2020/12/17	product family	PCI express		
surface	linear	0.X	±0.30	Amphenol FCI		product	PCI Express Gen 5 (32Gb/s)		dwg no	10146070	rev	E
		0.XX	±0.20	www.fci.com		cat. no.	Product - Customer Drw		sheet 2 of 5			
	angular	0°	±2°									

Amphenol FCI

© 2016 AFCI



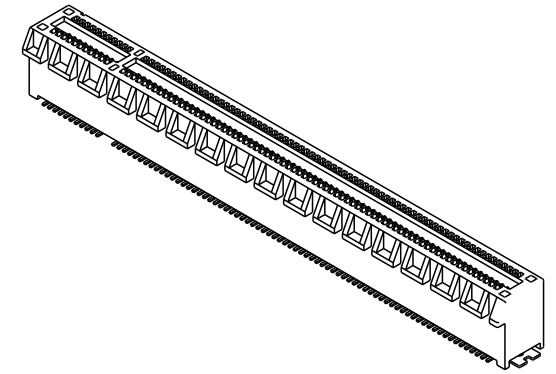
### RECOMMENDED PCB LAYOUT, PAD TYPE

POSITION	DIMENSIONS								
	A	B <sup>+0.15</sup> <sub>-0.05</sub>	C ±0.10	D ±0.23	E ±0.20	H ±0.10	J	K ±0.10	L
36	6.00	7.65	9.15	25.00	27.00	28.00	6.00	9.15	6.70
64	20.00	21.65	23.15	39.00	41.00	42.00	20.00	23.15	20.70
98	37.00	38.65	40.15	56.00	58.00	59.00	37.00	40.15	37.70
164	70.00	71.65	73.15	89.00	91.00	92.00	70.00	73.15	70.70

spec ref	-	dr	Cheong, Matthe	2018/01/09	projection	MM	size	A3	scale	4:1	
tolerance std	ISO 406 ISO 1101	eng	Cheong, Matthe	2020/12/07			ecn no	ELX-S-39228-1			
	TOLERANCES UNLESS OTHERWISE SPECIFIED	chr	-	-			product family	PCI express	rel level	Released	
surface	-	appr	Koon-Poh Tay	2020/12/17	Amphenol FCI PCI Express Gen 5 (32Gb/s) SMT Type		dwg no	10146070		rev	E
	ISO 1302	linear	0.X	±0.30	www.fci.com	cat. no.	-	Product - Customer Drw	sheet 3 of 5		
		angular	0°	±2°							

PRODUCT NUMBER CODE  
TABLE 1 - PARTNUMBER FORMAT ALLOCATED TO PACKAGING "A, Q, C, T, X, Y, Z"

10146070 - □□□□ 0LF



HOUSING COLOR

1: BLACK

CONTACT AREA PLATING

1: 30u" Au  
2: 15u" Au

PACKAGING OPTIONS

A: HARD TRAY (DIM: 323 x 136 x 19) WITH KAPTON TAPE, 22 x 7MM (98 & 164 POS)  
 B: HARD TRAY (DIM: 323 x 136 x 19) WITH KAPTON TAPE, 86.5 x 7 MM (164 POS)  
 E: HARD TRAY (DIM: 323 x 136 x 19) WITH KAPTON TAPE, 53 x 7 MM (98 & 164 POS)  
 Q: HARD TRAY (DIM: 323 x 136 x 19) (98 & 164 POS)  
 C: SOFT TRAY (317.5 x 235 x 18) WITH PICK-UP CAP (36 & 64 POS)  
 T: SOFT TRAY (317.5 x 235 x 18) WITH KAPTON TAPE, 22 x 7MM (36 & 64 POS)  
 X: HARD TRAY (DIM: 330 x 235 x 19.3) WITH PICK UP CAP (98 & 164 POS)  
 Y: HARD TRAY (DIM: 330 x 235 x 19.3) WITH KAPTON TAPE, 22 x 7MM (98 & 164 POS)  
 Z: HARD TRAY (DIM: 330 x 235 x 19.3) WITH KAPTON TAPE, 86.5 x 7MM (164 POS)

NO. OF POSITION

0: 36 POSITIONS  
 1: 64 POSITIONS  
 2: 98 POSITIONS  
 3: 164 POSITIONS

PRODUCT NUMBER CODE  
TABLE 2 - PARTNUMBER FORMAT ALLOCATED TO "TAPE & REEL" PACKAGING OPTIONS

10146070 - □□□□□ 00LF



HOUSING COLOR

1: BLACK

CONTACT AREA PLATING

1: 30u" Au  
2: 15u" Au

PICK-UP OPTIONS

0: NIL  
 1: PICK UP CAP ( NOT AVAIL. FOR PACKAGING OPTION "Q")  
 2: KAPTON TAPE, 22 x 7MM WIDTH (ALL POS)  
 3: KAPTON TAPE, 22 x 8.5MM WIDTH (ALL POS)  
 4: KAPTON TAPE, 30 x 8.5MM WIDTH (64, 98 & 164 POS)  
 5: KAPTON TAPE, 45 x 8.5MM WIDTH (98 & 164 POS)  
 6: KAPTON TAPE, 53 x 8.5MM WIDTH (98 & 164 POS)  
 7: KAPTON TAPE, 86.5 x 8.5MM WIDTH (164 POS)

NO. OF POSITION

0: 36 POSITIONS  
 1: 64 POSITIONS  
 2: 98 POSITIONS  
 3: 164 POSITIONS

PACKAGING OPTIONS

R: TAPE AND REEL (36, 64 & 98 POS)  
 Q: HARD TRAY (323 x 136 x 19) (98 & 164 POS)

spec ref	-	dr	Cheong, Matthe	2018/01/09	projection	MM	size	A3	scale	3:1	
tolerance std	ISO 406 ISO 1101	eng	Cheong, Matthe	2020/12/07			ecn no	ELX-S-39228-1			
TOLERANCES UNLESS OTHERWISE SPECIFIED		chr	-	-			product family	PCI express	rel level	Released	
surface	linear	appr	Koon-Poh Tay	2020/12/17			dwg no	10146070		rev	E
ISO 1302	angular			cat. no.	-	Product - Customer Drw		sheet 4 of 5			

NOTES:

1. MATERIAL:  
 HOUSING: HIGH PERFORMANCE RESIN, GLASS FILLED, UL 94V-0  
 CONTACT: COPPER ALLOY.  
 HOLDDOWN CLIP: COPPER ALLOY

2. PLATING:  
 CONTACT: UNDERPLATE: 50u" NICKEL OVER ALL.  
 SOLDER AREA: 100u" TIN (LEAD FREE).  
 MATING AREA: SEE PRODUCT NUMBER CODE.  
 HOLDDOWN CLIP: 100u" TIN OVER 50 u" NICKEL.

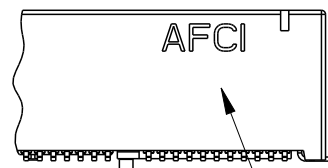
3. PRODUCT SPECIFICATION: GS-12-1406

4. PRODUCT MEETS EUROPEAN UNION DIRECTIVES AND OTHER COUNTRY REGULATIONS AS DESCRIBED IN GS-47-004.

5. DATE CODE "MMDDYYL", MMDDYY IS ASSEMBLY DATE.  
 L IS AFCI PRODUCTION SITE.

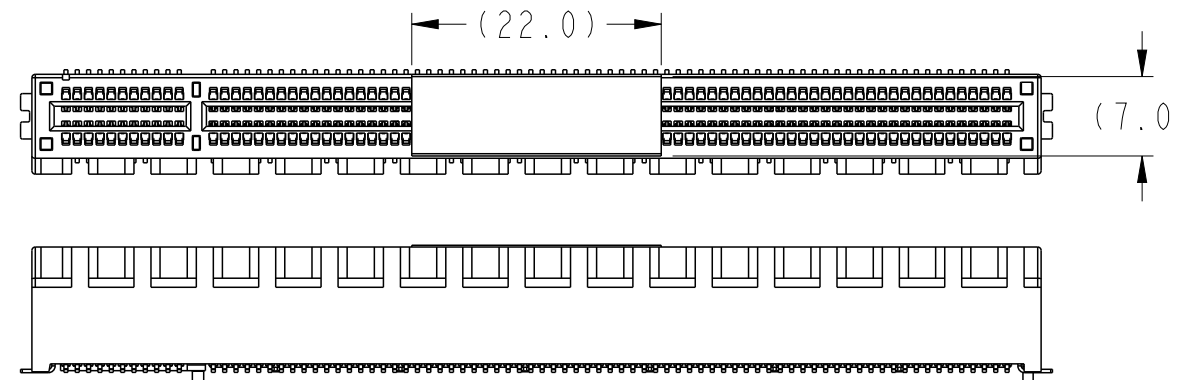
6. THE HOUSING WILL WITHSTAND EXPOSURE TO 260° PEAK TEMPERATURE FOR 10 SECONDS IN A CONVECTION, INFRA-RED OR VAPOR PHASE REFLOW OVEN.

7. THERE IS GROUND BUSSING WITHIN THE CONNECTOR SYSTEM. FOR DIFFERENTIAL PAIR'S GROUND LOCATION, PLEASE REFER TO THE CONNECTOR PINOUT TABLE FROM CHAPTER 6 OF PCI EXPRESS CARD ELECTROMECHANICAL SPECIFICATION.

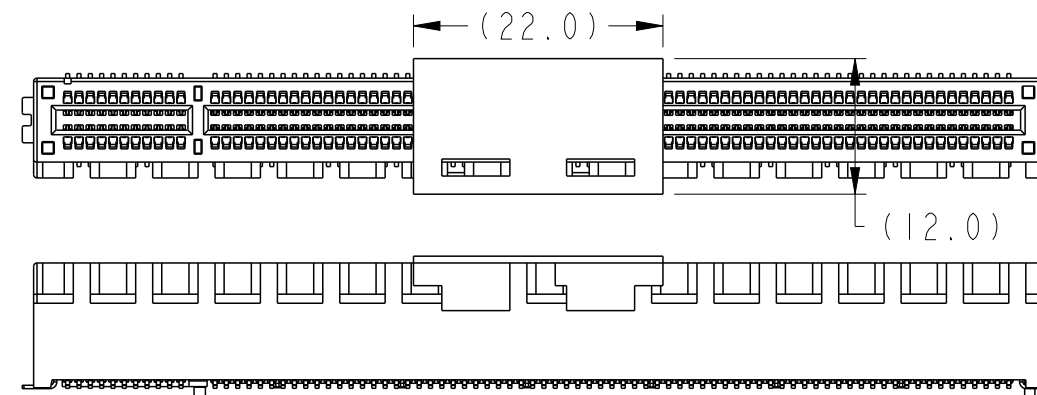


DATA CODE & PARTNO

POSITION OF KAPTON TAPE



POSITION OF PICK UP CAP



spec ref -		dr	Cheong, Matthe	2018/01/09	projection	MM	size	A3	scale	2:1
tolerance std		eng	Cheong, Matthe	2020/12/07			product family	PCI express	ecn no	ELX-S-39228-1
ISO 406 ISO 1101		TOLERANCES UNLESS OTHERWISE SPECIFIED			Amphenol FCI	PCI Express Gen 5 (32Gb/s)		dwg no	10146070	rev
surface		linear	0.X	±0.30			www.fci.com			
ISO 1302		angular	0°	±2°	PDS: Rev :E			STATUS:Released		Printed: Dec 18, 2020