

PowerMOS transistor TOPFET high side switch

BUK219-50Y

DESCRIPTION

Monolithic single channel high side protected power switch in **TOPFET2** technology assembled in a 5 pin plastic package.

APPLICATIONS

General controller for driving lamps, motors, solenoids, heaters.

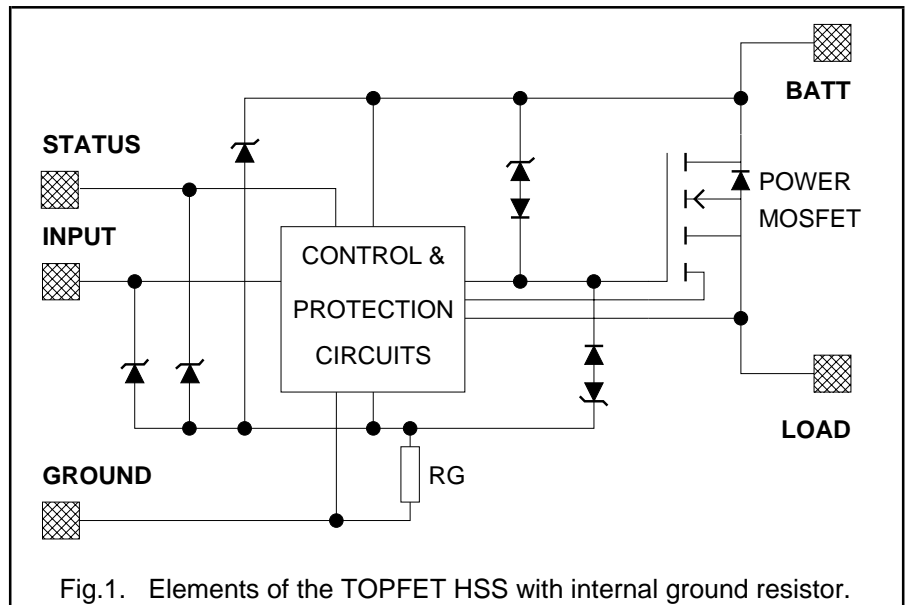
FEATURES

- Vertical power TrenchMOS
- Low on-state resistance
- CMOS logic compatible
- Very low quiescent current
- Overtemperature protection
- Load current limiting
- Latched overload and short circuit protection
- Overvoltage and undervoltage shutdown with hysteresis
- On-state open circuit load detection
- Diagnostic status indication
- Voltage clamping for turn off of inductive loads
- ESD protection on all pins
- Reverse battery, overvoltage and transient protection

QUICK REFERENCE DATA

| SYMBOL | PARAMETER | MIN. | UNIT |
|----------|--|------|------|
| I_L | Nominal load current (ISO) | 2 | A |
| SYMBOL | PARAMETER | MAX. | UNIT |
| V_{BG} | Continuous off-state supply voltage | 50 | V |
| I_L | Continuous load current | 6 | A |
| T_j | Continuous junction temperature | 150 | °C |
| R_{ON} | On-state resistance $T_j = 25^\circ\text{C}$ | 180 | mΩ |

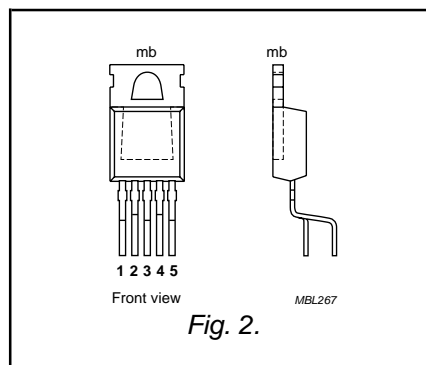
FUNCTIONAL BLOCK DIAGRAM



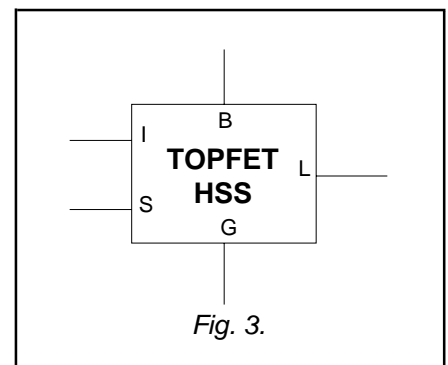
PINNING - SOT263B-01

| PIN | DESCRIPTION |
|-----|----------------------|
| 1 | Ground |
| 2 | Input |
| 3 | Battery (+ve supply) |
| 4 | Status |
| 5 | Load |
| tab | connected to pin 3 |

PIN CONFIGURATION



SYMBOL



PowerMOS transistor TOPFET high side switch

BUK219-50Y

LIMITING VALUES

Limiting values in accordance with the Absolute Maximum System (IEC 134)

| SYMBOL | PARAMETER | CONDITIONS | MIN. | MAX. | UNIT |
|------------|--|---|------|------|------------------|
| V_{BG} | Continuous supply voltage | | 0 | 50 | V |
| I_L | Continuous load current | $T_{mb} \leq 114^\circ\text{C}$ | - | 6 | A |
| P_D | Total power dissipation | $T_{mb} \leq 25^\circ\text{C}$ | - | 41 | W |
| T_{stg} | Storage temperature | | -55 | 175 | $^\circ\text{C}$ |
| T_j | Continuous junction temperature ¹ | | - | 150 | $^\circ\text{C}$ |
| T_{sold} | Lead temperature | during soldering | - | 260 | $^\circ\text{C}$ |
| | Reverse battery voltages² | | | | |
| $-V_{BG}$ | Continuous reverse voltage | | - | 16 | V |
| $-V_{BG}$ | Peak reverse voltage | | - | 32 | V |
| | Application information | | | | |
| R_I, R_S | External resistors ³ | to limit input, status currents | 3.2 | - | k Ω |
| | Input and status | | | | |
| I_I, I_S | Continuous currents | | -5 | 5 | mA |
| I_I, I_S | Repetitive peak currents | $\delta \leq 0.1, t_p = 300 \mu\text{s}$ | -50 | 50 | mA |
| | Inductive load clamping | | | | |
| E_{BL} | Non-repetitive clamping energy | $I_L = 1 \text{ A}, V_{BG} = 16 \text{ V}$ $T_j = 150^\circ\text{C}$ prior to turn-off | - | 75 | mJ |

ESD LIMITING VALUE

| SYMBOL | PARAMETER | CONDITIONS | MIN. | MAX. | UNIT |
|--------|---|--|------|------|------|
| V_C | Electrostatic discharge capacitor voltage | Human body model; $C = 250 \text{ pF}; R = 1.5 \text{ k}\Omega$ | - | 2 | kV |

THERMAL CHARACTERISTICS

| SYMBOL | PARAMETER | CONDITIONS | MIN. | TYP. | MAX. | UNIT |
|----------------|---------------------------------------|-------------|------|------|------|------|
| | Thermal resistance⁴ | | | | | |
| $R_{th\ j-mb}$ | Junction to mounting base | - | - | 2.5 | 3 | K/W |
| $R_{th\ j-a}$ | Junction to ambient | in free air | - | 60 | 75 | K/W |

1 For normal continuous operation. A higher T_j is allowed as an overload condition but at the threshold $T_{j(TO)}$ the over temperature trip operates to protect the switch.

2 Reverse battery voltage is allowed only with external resistors to limit the input and status currents to a safe value. The connected load must limit the reverse load current. The internal ground resistor limits the reverse battery ground current. Power is dissipated and the T_j rating must be observed.

3 To limit currents during reverse battery and transient overvoltages (positive or negative).

4 Of the output power MOS transistor.

PowerMOS transistor TOPFET high side switch

BUK219-50Y

STATIC CHARACTERISTICS

Limits are at $-40^{\circ}\text{C} \leq T_{\text{mb}} \leq 150^{\circ}\text{C}$ and typicals at $T_{\text{mb}} = 25^{\circ}\text{C}$ unless otherwise stated.

| SYMBOL | PARAMETER | CONDITIONS | MIN. | TYP. | MAX. | UNIT | | | |
|--------------------------|-------------------------------------|---|----------------|-------------------|---|---------------|-----|-----|------------|
| Clamping voltages | | | | | | | | | |
| V_{BG} | Battery to ground | $I_{\text{G}} = 1 \text{ mA}$ | 50 | 55 | 65 | V | | | |
| V_{BL} | Battery to load | $I_{\text{L}} = I_{\text{G}} = 1 \text{ mA}$ | 50 | 55 | 65 | V | | | |
| $-V_{\text{LG}}$ | Negative load to ground | $I_{\text{L}} = 10 \text{ mA}$ | 18 | 23 | 28 | V | | | |
| $-V_{\text{LG}}$ | Negative load voltage ¹ | $I_{\text{L}} = 1 \text{ A}; t_{\text{p}} = 300 \mu\text{s}$ | 20 | 25 | 30 | V | | | |
| Supply voltage | | | | | | | | | |
| V_{BG} | Operating range ² | battery to ground - | 5.5 | - | 35 | V | | | |
| Currents | | | | | | | | | |
| I_{B} | Quiescent current ³ | $9 \text{ V} \leq V_{\text{BG}} \leq 16 \text{ V}$ $V_{\text{LG}} = 0 \text{ V}$ $T_{\text{mb}} = 25^{\circ}\text{C}$ | - | - | 20 | μA | | | |
| I_{L} | Off-state load current ⁴ | $V_{\text{BL}} = V_{\text{BG}}$ $T_{\text{mb}} = 25^{\circ}\text{C}$ | - | - | 20 | μA | | | |
| I_{G} | Operating current ⁵ | $I_{\text{L}} = 0 \text{ A}$ | - | 2 | 4 | mA | | | |
| I_{L} | Nominal load current ⁶ | $V_{\text{BL}} = 0.5 \text{ V}$ | 2 | - | - | A | | | |
| Resistances | | | | | | | | | |
| R_{ON} | On-state resistance ⁷ | V_{BG} | I_{L} | t_{p} | T_{mb} | | | | |
| | | 9 to 35 V | 1 A | 300 μs | 25 $^{\circ}\text{C}$ 150 $^{\circ}\text{C}$ | - | 135 | 180 | m Ω |
| R_{ON} | On-state resistance | 6 V | 1 A | 300 μs | 25 $^{\circ}\text{C}$ | - | 170 | 225 | m Ω |
| | | | | | 150 $^{\circ}\text{C}$ | - | - | 410 | m Ω |
| R_{G} | Internal ground resistance | $I_{\text{G}} = 10 \text{ mA}$ | | | | 95 | 150 | 190 | Ω |

¹ For a high side switch, the load pin voltage goes negative with respect to ground during the turn-off of an inductive load.

² On-state resistance is increased if the supply voltage is less than 9 V.

³ This is the continuous current drawn from the supply when the input is low and includes leakage current to the load.

⁴ The measured current is in the load pin only.

⁵ This is the continuous current drawn from the supply with no load connected, but with the input high.

⁶ Defined as in ISO 10483-1. For comparison purposes only. This parameter will not be characterised for automotive PPAP.

⁷ The supply and input voltage for the R_{ON} tests are continuous. The specified pulse duration t_{p} refers only to the applied load current.

PowerMOS transistor TOPFET high side switch

BUK219-50Y

INPUT CHARACTERISTICS

$9\text{ V} \leq V_{\text{BG}} \leq 16\text{ V}$. Limits are at $-40^\circ\text{C} \leq T_{\text{mb}} \leq 150^\circ\text{C}$ and typicals at $T_{\text{mb}} = 25^\circ\text{C}$ unless otherwise stated.

| SYMBOL | PARAMETER | CONDITIONS | MIN. | TYP. | MAX. | UNIT |
|------------------------|----------------------------------|-----------------------------------|------|------|------|---------------|
| I_{I} | Input current | $V_{\text{IG}} = 5\text{ V}$ | 20 | 90 | 160 | μA |
| V_{IG} | Input clamping voltage | $I_{\text{I}} = 200\ \mu\text{A}$ | 5.5 | 7 | 8.5 | V |
| $V_{\text{IG(ON)}}$ | Input turn-on threshold voltage | | - | 2.4 | 3 | V |
| $V_{\text{IG(OFF)}}$ | Input turn-off threshold voltage | | 1.5 | 2.1 | - | V |
| ΔV_{IG} | Input turn-on hysteresis | | - | 0.3 | - | V |
| $I_{\text{I(ON)}}$ | Input turn-on current | $V_{\text{IG}} = 3\text{ V}$ | - | - | 100 | μA |
| $I_{\text{I(OFF)}}$ | Input turn-off current | $V_{\text{IG}} = 1.5\text{ V}$ | 10 | - | - | μA |

STATUS CHARACTERISTICS

The status output is an open drain transistor, and requires an external pull-up circuit to indicate a logic high. Limits are at $-40^\circ\text{C} \leq T_{\text{mb}} \leq 150^\circ\text{C}$ and typicals at $T_{\text{mb}} = 25^\circ\text{C}$ unless otherwise stated. Refer to TRUTH TABLE.

| SYMBOL | PARAMETER | CONDITIONS | MIN. | TYP. | MAX. | UNIT |
|-----------------|---|------------------------------------|------|------|------|---------------|
| V_{SG} | Status clamping voltage | $I_{\text{S}} = 100\ \mu\text{A}$ | 5.5 | 7 | 8.5 | V |
| V_{SG} | Status low voltage | $I_{\text{S}} = 100\ \mu\text{A}$ | - | - | 1 | V |
| | | $T_{\text{mb}} = 25^\circ\text{C}$ | - | 0.7 | 0.8 | V |
| I_{S} | Status leakage current | $V_{\text{SG}} = 5\text{ V}$ | - | - | 15 | μA |
| | | $T_{\text{mb}} = 25^\circ\text{C}$ | - | 0.1 | 1 | μA |
| I_{S} | Status saturation current ¹ | $V_{\text{SG}} = 5\text{ V}$ | 2 | 7 | 12 | mA |
| R_{S} | Application information External pull-up resistor | | - | 47 | - | k Ω |

OPEN CIRCUIT DETECTION CHARACTERISTICS

An open circuit load can be detected in the on-state. Refer to TRUTH TABLE. Limits are at $-40^\circ\text{C} \leq T_{\text{mb}} \leq 150^\circ\text{C}$ and typical is at $T_{\text{mb}} = 25^\circ\text{C}$.

| SYMBOL | PARAMETER | CONDITIONS | MIN. | TYP. | MAX. | UNIT |
|---------------------------|-------------------------------|--|------|------|------|------|
| | Open circuit detection | $9\text{ V} \leq V_{\text{BG}} \leq 35\text{ V}$ | | | | |
| $I_{\text{L(TO)}}$ | Low current detect threshold | | 50 | - | 340 | mA |
| | | $T_{\text{j}} = 25^\circ\text{C}$ | 85 | 170 | 255 | mA |
| $\Delta I_{\text{L(TO)}}$ | Hysteresis | | - | 30 | - | mA |

¹ In a fault condition with the pull-up resistor short circuited while the status transistor is conducting. This condition should be avoided in order to prevent possible interference with normal operation of the device.

**PowerMOS transistor
TOPFET high side switch**

BUK219-50Y

UNDERVOLTAGE & OVERVOLTAGE CHARACTERISTICS

Limits are at $-40^{\circ}\text{C} \leq T_{mb} \leq 150^{\circ}\text{C}$ and typicals at $T_{mb} = 25^{\circ}\text{C}$. Refer to TRUTH TABLE.

| SYMBOL | PARAMETER | CONDITIONS | MIN. | TYP. | MAX. | UNIT |
|---------------------|--|------------|------|------|------|------|
| Undervoltage | | | | | | |
| $V_{BG(UV)}$ | Low supply threshold voltage ¹ | | 2 | 4.2 | 5.5 | V |
| $\Delta V_{BG(UV)}$ | Hysteresis | | - | 0.5 | - | V |
| Overvoltage | | | | | | |
| $V_{BG(OV)}$ | High supply threshold voltage ² | | 40 | 45 | 50 | V |
| $\Delta V_{BG(OV)}$ | Hysteresis | | - | 1 | - | V |

TRUTH TABLE

| INPUT | ABNORMAL CONDITIONS DETECTED | | | | | LOAD OUTPUT | STATUS | DESCRIPTION |
|-------|------------------------------|----|------|----|----|-------------|--------|-----------------------------|
| | SUPPLY | | LOAD | | | | | |
| | UV | OV | LC | SC | OT | | | |
| L | X | X | X | X | X | OFF | H | off |
| H | 0 | 0 | 0 | 0 | 0 | ON | H | on & normal |
| H | 0 | 0 | 1 | 0 | 0 | ON | L | on & low current detect |
| H | 1 | 0 | X | X | X | OFF | H | supply undervoltage lockout |
| H | 0 | 1 | X | 0 | 0 | OFF | H | supply overvoltage shutdown |
| H | 0 | 0 | 0 | 1 | X | OFF | L | SC tripped |
| H | 0 | 0 | 0 | 0 | 1 | OFF | L | OT shutdown ³ |

KEY TO ABBREVIATIONS

- | | | | |
|---|-----------------------|----|----------------------------------|
| L | logic low | UV | undervoltage |
| H | logic high | OV | overvoltage |
| X | don't care | LC | low current or open circuit load |
| 0 | condition not present | SC | short circuit |
| 1 | condition present | OT | overtemperature |

¹ Undervoltage sensor causes the device to switch off and reset.

² Overvoltage sensor causes the device to switch off to protect its load.

³ The status will continue to indicate OT (even if the input goes low) until the device cools below the reset threshold. Refer to OVERLOAD PROTECTION CHARACTERISTICS.

PowerMOS transistor TOPFET high side switch

BUK219-50Y

OVERLOAD PROTECTION CHARACTERISTICS

$5.5 \text{ V} \leq V_{\text{BG}} \leq 35 \text{ V}$, limits are at $-40^\circ\text{C} \leq T_{\text{mb}} \leq 150^\circ\text{C}$ and typicals at $T_{\text{mb}} = 25^\circ\text{C}$ unless otherwise stated.
Refer to TRUTH TABLE.

| SYMBOL | PARAMETER | CONDITIONS | MIN. | TYP. | MAX. | UNIT |
|---------------------------|---|---|---------|----------|----------|------------------|
| $I_{\text{L(lim)}}$ | Overload protection Load current limiting | $V_{\text{BL}} = V_{\text{BG}}$ $V_{\text{BG}} \geq 9 \text{ V}$ | 6 | 9 | 12 | A |
| $V_{\text{BL(TO)}}$ | Short circuit load protection Battery load threshold voltage ¹ | $V_{\text{BG}} = 16 \text{ V}$ $V_{\text{BG}} = 35 \text{ V}$ | 8 15 | 10 20 | 12 25 | V V |
| $t_{\text{d sc}}$ | Response time ² | $V_{\text{BL}} > V_{\text{BL(TO)}}$ | - | 180 | 250 | μs |
| $T_{\text{j(TO)}}$ | Overtemperature protection Threshold junction temperature ³ | | 150 | 170 | 190 | $^\circ\text{C}$ |
| $\Delta T_{\text{j(TO)}}$ | Hysteresis | | - | 10 | - | $^\circ\text{C}$ |

SWITCHING CHARACTERISTICS

$T_{\text{mb}} = 25^\circ\text{C}$, $9 \text{ V} \leq V_{\text{BG}} \leq 16 \text{ V}$, for resistive load $R_{\text{L}} = 13 \Omega$.

| SYMBOL | PARAMETER | CONDITIONS | MIN. | TYP. | MAX. | UNIT |
|----------------------|--------------------------------------|---|------|------|------|------------------|
| $t_{\text{d on}}$ | During turn-on Delay time | to $V_{\text{IG}} = 5 \text{ V}$ to 10% V_{L} | - | 28 | 40 | μs |
| dV/dt_{on} | Rate of rise of load voltage | 30% to 70% V_{L} | - | 0.75 | 1 | V/ μs |
| t_{on} | Total switching time | to 90% V_{L} | - | 60 | 90 | μs |
| $t_{\text{d off}}$ | During turn-off Delay time | to $V_{\text{IG}} = 0 \text{ V}$ to 90% V_{L} | - | 36 | 54 | μs |
| dV/dt_{off} | Rate of fall of load voltage | 70% to 30% V_{L} | - | 0.75 | 1 | V/ μs |
| t_{off} | Total switching time | to 10% V_{L} | - | 60 | 90 | μs |

CAPACITANCES

$T_{\text{mb}} = 25^\circ\text{C}$; $f = 1 \text{ MHz}$; $V_{\text{IG}} = 0 \text{ V}$. *designed in parameters.*

| SYMBOL | PARAMETER | CONDITIONS | MIN. | TYP. | MAX. | UNIT |
|-----------------|--------------------|--------------------------------|------|------|------|------|
| C_{ig} | Input capacitance | $V_{\text{BG}} = 13 \text{ V}$ | - | 15 | 20 | pF |
| C_{bl} | Output capacitance | $V_{\text{BL}} = 13 \text{ V}$ | - | 100 | 140 | pF |
| C_{sg} | Status capacitance | $V_{\text{SG}} = 5 \text{ V}$ | - | 11 | 15 | pF |

1 The battery to load threshold voltage for short circuit protection is proportional to the battery supply voltage. A graph showing $V_{\text{BL(TO)}}$ versus V_{BG} will be provided in the product specification. After short circuit protection has operated, the input voltage must be toggled low for the switch to resume normal operation.

2 Measured from when the input goes high.

3 After cooling below the reset temperature the switch will resume normal operation.

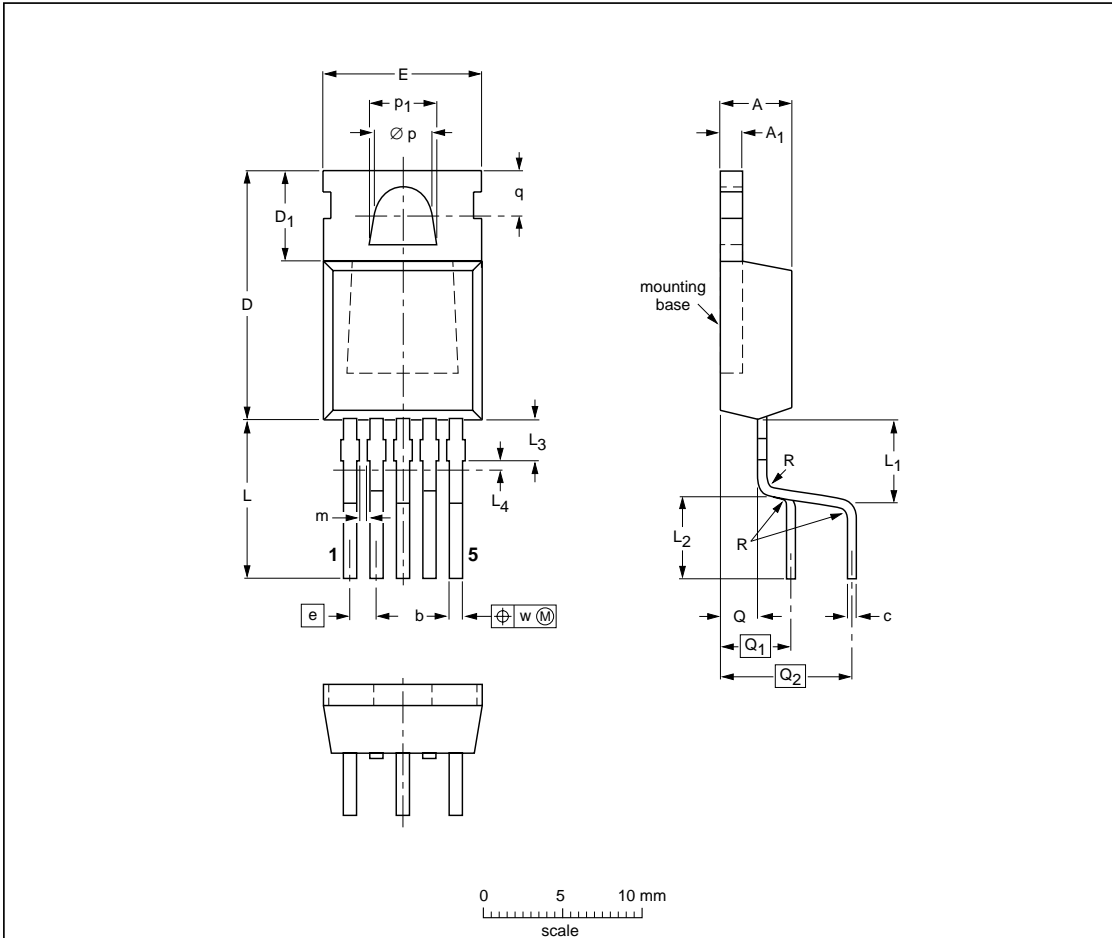
PowerMOS transistor
TOPFET high side switch

BUK219-50Y

MECHANICAL DATA

Plastic single-ended package; heatsink mounted; 1 mounting hole;
5-lead TO-220 lead form option

SOT263B-01



DIMENSIONS (mm are the original dimensions)

| UNIT | A | A ₁ | b | c | D | D ₁ | E | e | L | L ₁ | L ₂ | L ₃ (¹) | L ₄ (²) max. | m | Ø p | p ₁ | q | Q | Q ₁ | Q ₂ | R | w |
|------|------------|----------------|--------------|------------|--------------|----------------|-------------|-----|------------|----------------|----------------|---------------------------------|---|------------|------------|----------------|------------|-----|----------------|----------------|-----|-----|
| mm | 4.5 4.1 | 1.39 1.27 | 0.85 0.70 | 0.7 0.4 | 15.8 15.2 | 6.4 5.9 | 10.3 9.7 | 1.7 | 9.8 9.7 | 5.9 5.3 | 5.2 5.0 | 2.4 1.6 | 0.5 | 0.8 0.6 | 3.8 3.6 | 4.3 4.1 | 3.0 2.7 | 2.0 | 4.5 | 8.2 | 0.5 | 0.4 |

Notes

1. Terminal dimensions are uncontrolled in this zone.
2. Positional accuracy of the terminals is controlled in this zone.

| OUTLINE VERSION | REFERENCES | | | EUROPEAN PROJECTION | ISSUE DATE |
|-----------------|------------|---------------------------|------|---------------------|------------|
| | IEC | JEDEC | EIAJ | | |
| SOT263B-01 | | 5-lead (option) TO-220 | | | 01-01-11 |

Fig.4. SOT263B package¹ leadform 263B-01, pin 3 connected to mounting base.

¹ Refer to mounting instructions for TO220 envelopes. Epoxy meets UL94 VO at 1/8". Net mass: 2 g

PowerMOS transistor TOPFET high side switch

BUK219-50Y

DEFINITIONS

| DATA SHEET STATUS | | |
|--|-----------------------------|---|
| DATA SHEET STATUS ¹ | PRODUCT STATUS ² | DEFINITIONS |
| Objective data | Development | This data sheet contains data from the objective specification for product development. Philips Semiconductors reserves the right to change the specification in any manner without notice |
| Preliminary data | Qualification | This data sheet contains data from the preliminary specification. Supplementary data will be published at a later date. Philips Semiconductors reserves the right to change the specification without notice, in order to improve the design and supply the best possible product |
| Product data | Production | This data sheet contains data from the product specification. Philips Semiconductors reserves the right to make changes at any time in order to improve the design, manufacturing and supply. Changes will be communicated according to the Customer Product/Process Change Notification (CPCN) procedure SNW-SQ-650A |
| Limiting values | | |
| Limiting values are given in accordance with the Absolute Maximum Rating System (IEC 134). Stress above one or more of the limiting values may cause permanent damage to the device. These are stress ratings only and operation of the device at these or at any other conditions above those given in the Characteristics sections of this specification is not implied. Exposure to limiting values for extended periods may affect device reliability. | | |
| Application information | | |
| Where application information is given, it is advisory and does not form part of the specification. | | |
| © Philips Electronics N.V. 2001 | | |
| All rights are reserved. Reproduction in whole or in part is prohibited without the prior written consent of the copyright owner. | | |
| The information presented in this document does not form part of any quotation or contract, it is believed to be accurate and reliable and may be changed without notice. No liability will be accepted by the publisher for any consequence of its use. Publication thereof does not convey nor imply any license under patent or other industrial or intellectual property rights. | | |

LIFE SUPPORT APPLICATIONS

These products are not designed for use in life support appliances, devices or systems where malfunction of these products can be reasonably expected to result in personal injury. Philips customers using or selling these products for use in such applications do so at their own risk and agree to fully indemnify Philips for any damages resulting from such improper use or sale.

¹ Please consult the most recently issued datasheet before initiating or completing a design.

² The product status of the device(s) described in this datasheet may have changed since this datasheet was published. The latest information is available on the Internet at URL <http://www.semiconductors.philips.com>.