

PART NAME: HANDLE

SCALE: 1:1

DATE: 11/25/70

DR. BY NH



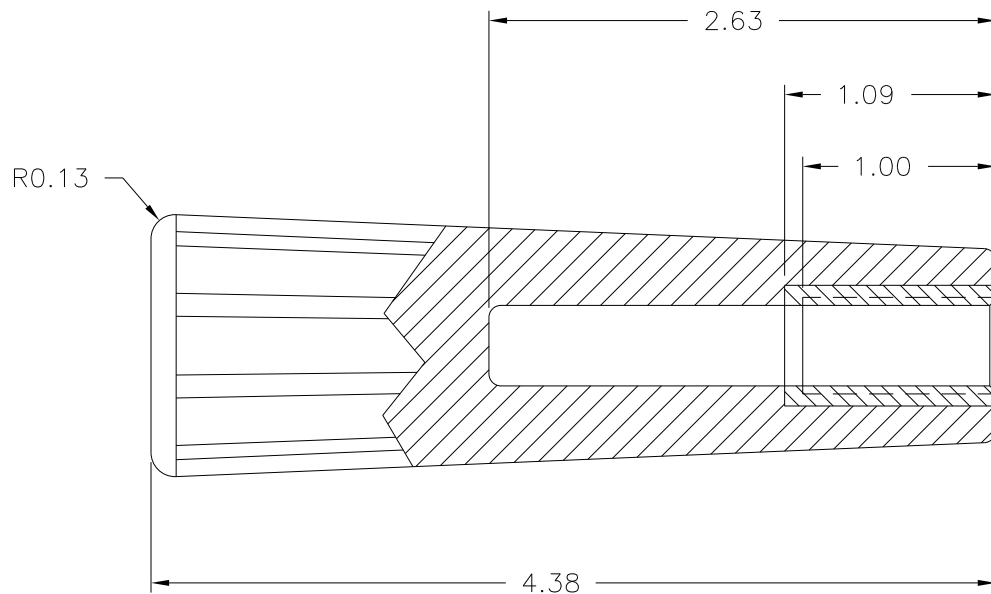
DESIGNERS & MANUFACTURERS OF KNOBS, HANDLES, CASES & CUSTOM PLASTIC COMPONENTS

P/N 0698-F

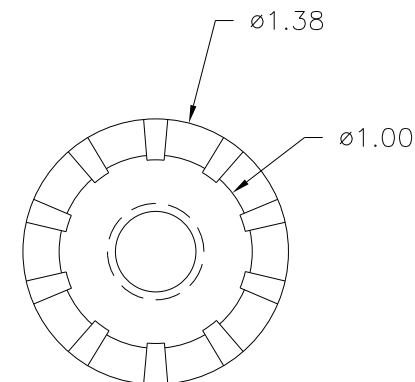
BASE PART 0698-05

THIS DRAWING IS THE PROPERTY OF DAVIES MOLDING COMPANY, IS SUBMITTED SOLELY AS A DESIGN OR ENGINEERING PROJECT. WE ACCEPT NO RESPONSIBILITY WHATSOEVER FOR THE PRACTICAL APPLICATION OF THE PIECES MADE TO THIS DESIGN.

(B)



1/2-13 UNC-2B THREADED I0781, H.H. BRASS (RETAP INSERT)



MATERIAL: G.P. PHENOLIC (B11) (A)
COLOR: BLACK

TOLERANCES: UNLESS OTHERWISE SPECIFIED	DO NOT SCALE DRAWING	B	ADDED BASE PART	JAM	1/17/14
DECIMALS: X.XXX ± .005 X.XX ± .015	MM: X.XX ± 0.15MM X.X ± 0.4MM	-	RE-DID REDRAW	TL	8/16/99
FRACTIONS ± 1/64	ANG. ± 1°	A	CAD REDRAW UPDATED DWG	HD	6/14/95
CHANGES					