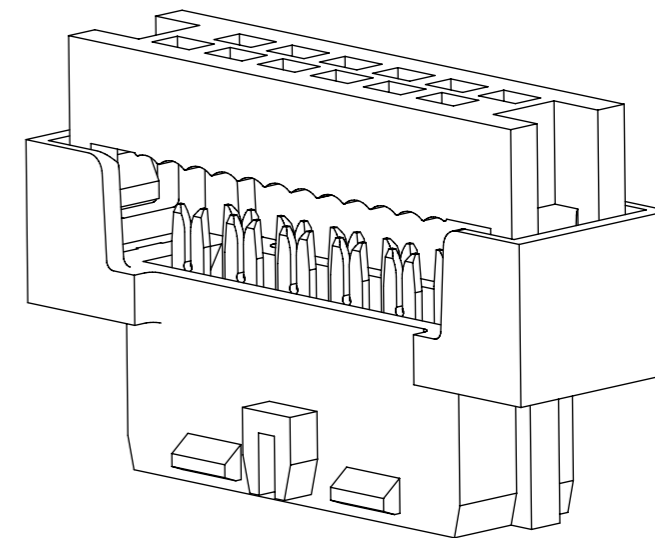
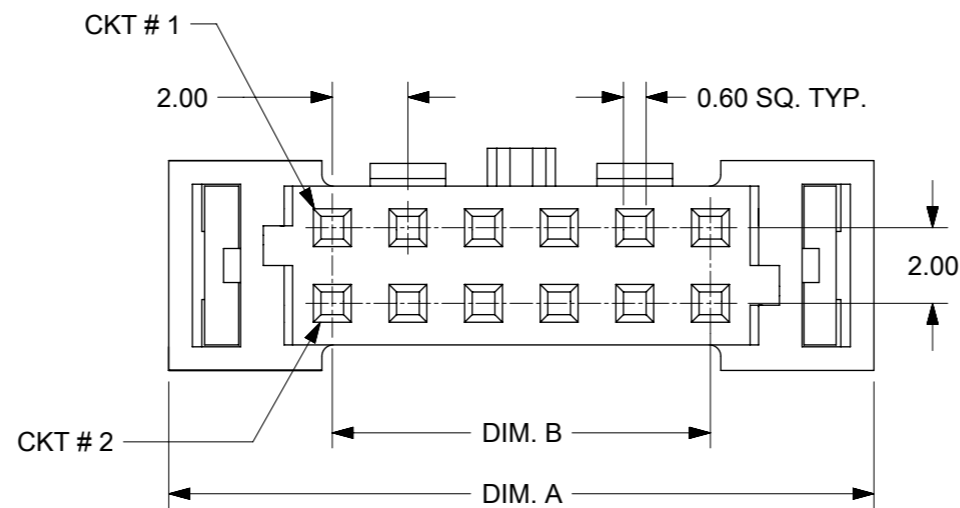
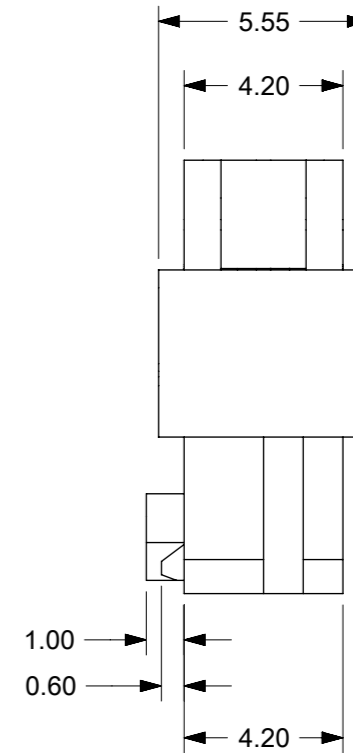
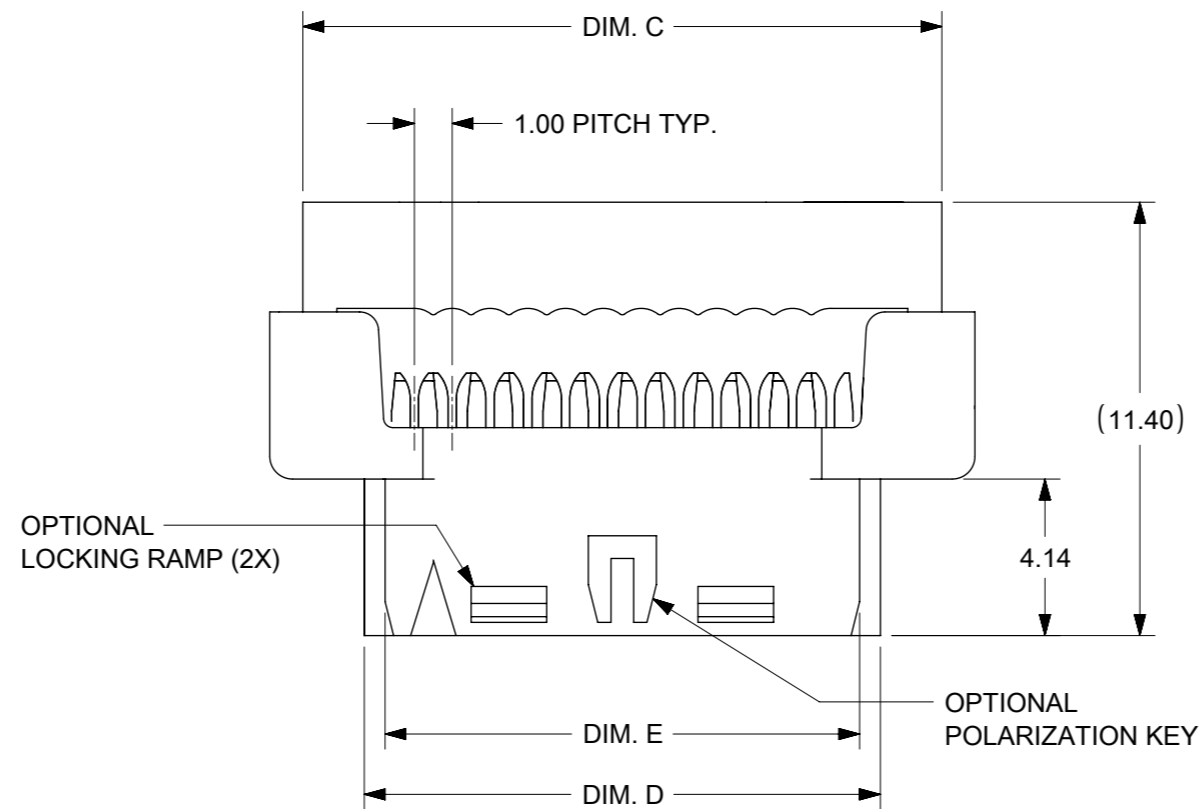


E



1. MATERIALS:
HOUSING - PBT. GLASS FILLED UL94V-0 BLACK
TERMINAL - COPPER ALLOY
2. FINISHES
PLATING 3 - 15µin (0.38µm) SELECTIVE GOLD IN CONTACT AREA
AND 75µin (1.88µm) TIN IN IDT AREA OVER 50µin (1.25µm)
NICKEL OVERALL.
PLATING 4 - 30µin (0.76µm) SELECTIVE GOLD IN CONTACT AREA
AND 75µin (1.88µm) TIN IN IDT AREA OVER 50µin (1.25µm)
NICKEL OVERALL.
PLATING 5 - 2µin (0.05µm) SELECTIVE GOLD IN CONTACT AREA
AND 75µin (1.88µm) TIN IN IDT AREA OVER 50µin (1.25µm)
NICKEL OVERALL.
3. PRODUCT SPEC PS-87568-004 APPLIES.
4. FOR ILLUSTRATION PURPOSES, 12 CKT IS SHOWN.
5. PART MATES WITH ALL MILLIGRID HEADERS WITH MATING LENGTH (H5) BETWEEN 2.50mm AND 4.20mm WITH THE RIGHT KEYING OPTION.
6. PART IS DESIGNED FOR 1.00mm PITCH FLAT CABLE, 7 STRANDS, AWG #28, UL2651 AND UL2678.
7. ALL OTHER CIRCUIT SIZES, CONTACT FACTORY.
8. STRAIN RELIEF TO BE PURCHASED SEPERATELY. REFER TO SD-87569-008.
9. PACKAGING SPECIFICATION :PK-87568-0001.

THIS DRAWING CONTAINS INFORMATION THAT IS PROPRIETARY TO MOLEX ELECTRONIC TECHNOLOGIES, LLC AND SHOULD NOT BE USED WITHOUT WRITTEN PERMISSION

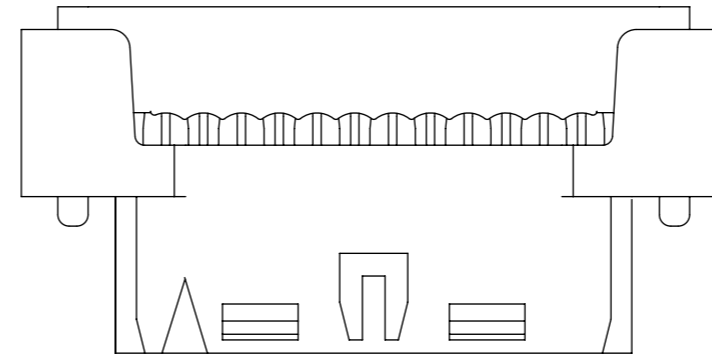
EC NO: 749397 DRWN: SUAIFR CHK'D: SUAIFR REV APPR: MIRAMAKRISHNA	2023/05/12	GENERAL TOLERANCES (UNLESS SPECIFIED)		DIMENSION UNITS	SCALE				
	2023/05/12	MM	INCH	MM	NTS				
	2023/05/13	4 PLACES ±	±	DRWN BY	DATE		MGRID 2MM DUAL ROW IDT RECEPTACLE		
		3 PLACES ±	±	AGARWAL	1997/08/05				
		2 PLACES ±	0.15 ±	CHK'D BY	DATE				
	1 PLACES ±	±	SQUEK	1997/09/03	PRODUCT CUSTOMER DRAWING				
	0 PLACES ±	±	APPR BY	DATE					
			MLONG	2009/11/13	SERIES	MATERIAL NUMBER	CUSTOMER		
			ANGULAR TOL = 3.0	DRAWING SIZE	THIRD ANGLE PROJECTION	87568	SEE TABLE	GENERAL MARKET	
			DRAFT WHERE APPLICABLE MUST REMAIN WITHIN DIMENSIONS	A3		DOCUMENT NUMBER	DOC TYPE	DOC PART	SHEET NUMBER
H5						SD-87568-003	PSD	001	1 OF 3

RELEASE STATUS	P1	RELEASE DATE	2023/05/13	01:47:28
----------------	----	--------------	------------	----------

ENGINEERING NUMBER	CKT. SIZE	A	B	C	D	E
87568-10**	10	16.65	8.00	14.90	11.65	10.55
87568-12**	12	18.65	10.00	16.90	13.65	12.55
87568-14**	14	20.65	12.00	18.90	15.65	14.55
87568-16**	16	22.65	14.00	20.90	17.65	16.55
87568-20**	20	26.65	18.00	24.90	21.65	20.55
87568-22**	22	28.65	20.00	26.90	23.65	22.55
87568-24**	24	30.65	22.00	28.90	25.65	24.55
87568-26**	26	32.65	24.00	30.90	27.65	26.55
87568-30**	30	36.65	28.00	34.90	31.65	30.55
87568-32**	32	38.65	30.00	36.90	33.65	32.55
87568-34**	34	40.65	32.00	38.90	35.65	34.55
87568-36**	36	42.65	34.00	40.90	37.65	36.55
87568-40**	40	46.65	38.00	44.90	41.65	40.55
87568-44**	44	50.65	42.00	48.90	45.65	44.55
87568-50**	50	56.65	48.00	54.90	51.65	50.55



87568-**4*
POLARIZATION ONLY
(APPLICABLE FOR 14 TO 50CKT)



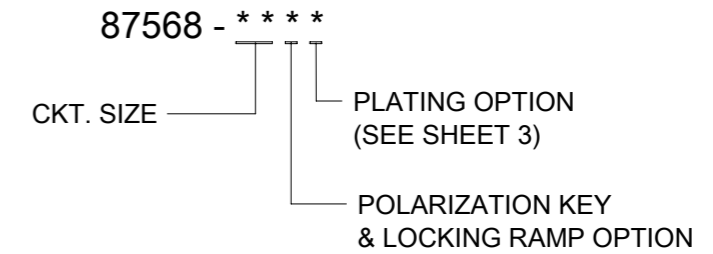
87568-**9*
POLARIZATION AND RAMP LOCKING
(APPLICABLE FOR 14 TO 50 CKT)



87568-**6*
NO POLARIZATION/RAMP FEATURE
(APPLICABLE FOR 10 TO 50 CKT)



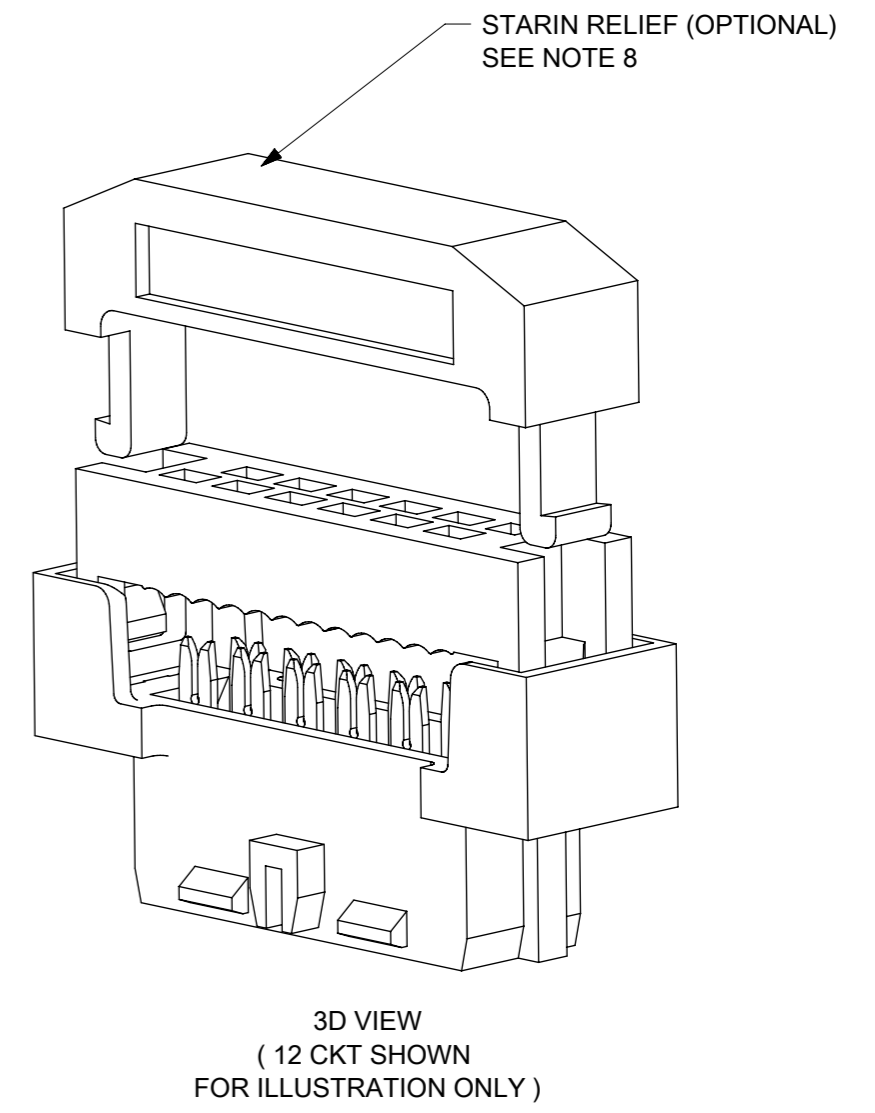
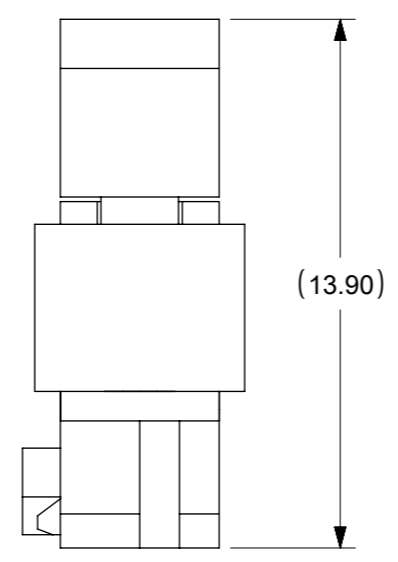
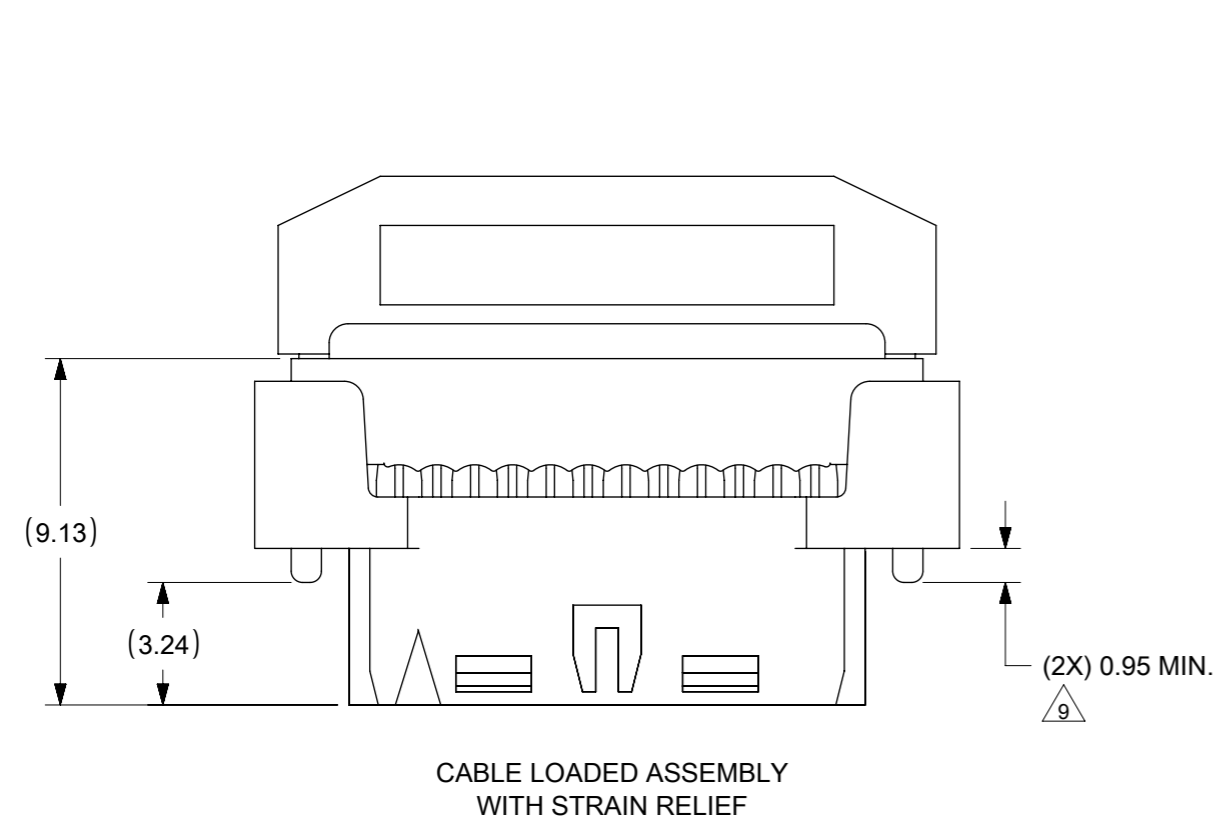
87568-**7*
SINGLE RAMP LOCKING ONLY
(APPLICABLE FOR 10 TO 12 CKT)



- 4 - WITH POLARIZATION ONLY FOR 14-50 CKT
- 6 - WITHOUT POLARIZATION AND RAMP LOCKING
- 7 - WITH SINGLE RAMP LOCKING ONLY FOR 10 & 12 CKT
- 9 - WITH POLARIZATION AND RAMP LOCKING 14 - 50 CKT
- 10-12 CIRCUIT SIZE HAS ONLY ONE RAMP FOR LOCKING (OPTIONAL)
- 14-50 CIRCUIT SIZE HAS BOTH POLARIZATION AND RAMP LOCKING (OPTIONAL)

THIS DRAWING CONTAINS INFORMATION THAT IS PROPRIETARY TO MOLEX ELECTRONIC TECHNOLOGIES, LLC AND SHOULD NOT BE USED WITHOUT WRITTEN PERMISSION

EC NO: 749397 DRWN: SUAIFR CHKD: SUAIFR APPR: MRAMAKRISHNA	GENERAL TOLERANCES (UNLESS SPECIFIED)		DIMENSION UNITS	SCALE			
			MM	NTS			
	2023/05/12	2023/05/12	MM	INCH	DRWN BY	DATE	MGRID 2MM DUAL ROW IDT RECEPTACLE PRODUCT CUSTOMER DRAWING SERIES: 87568 MATERIAL NUMBER: SEE TABLE CUSTOMER: GENERAL MARKET DOCUMENT NUMBER: SD-87568-003 DOC TYPE: PSD DOC PART: 001 SHEET NUMBER: 2 OF 3
	4 PLACES	±	±	AGARWAL	1997/08/05		
	3 PLACES	±	±	CHK'D BY	DATE		
2 PLACES	± 0.15	±	SQUEK	1997/09/03			
1 PLACES	±	±	APPR BY	DATE			
0 PLACES	±	±	MLONG	2009/11/13	DRAWING SIZE	THIRD ANGLE PROJECTION	
	ANGULAR TOL = 3.0		A3				
	DRAFT WHERE APPLICABLE MUST REMAIN WITHIN DIMENSIONS						



NOTES

1 THIS DIMENSION IS TO ENSURE GOOD CABLE TERMINATION.

THIS DRAWING CONTAINS INFORMATION THAT IS PROPRIETARY TO MOLEX ELECTRONIC TECHNOLOGIES, LLC AND SHOULD NOT BE USED WITHOUT WRITTEN PERMISSION

EC NO: 749397 DRWN: SUAIFR CHK'D: SUAIFR REV APPR: MRAMAKRISHNA	2023/05/12	GENERAL TOLERANCES (UNLESS SPECIFIED)		DIMENSION UNITS	SCALE					
	2023/05/12	MM	INCH	MM	NTS					
	2023/05/13	4 PLACES	±	±	DRWN BY	DATE	MGRID 2MM DUAL ROW IDT RECEPTACLE			
		3 PLACES	±	±	AGARWAL	1997/08/05				
		2 PLACES	± 0.15	±	CHK'D BY	DATE				
		1 PLACES	±	±	SQUEK	1997/09/03	PRODUCT CUSTOMER DRAWING			
	0 PLACES	±	±	APPR BY	DATE					
		ANGULAR TOL = 3.0		MLONG	2009/11/13	SERIES	MATERIAL NUMBER	CUSTOMER		
		DRAFT WHERE APPLICABLE MUST REMAIN WITHIN DIMENSIONS		DRAWING SIZE	THIRD ANGLE PROJECTION	87568	SEE TABLE	GENERAL MARKET		
				A3		DOCUMENT NUMBER		DOC TYPE	DOC PART	SHEET NUMBER
						SD-87568-003		PSD	001	3 OF 3