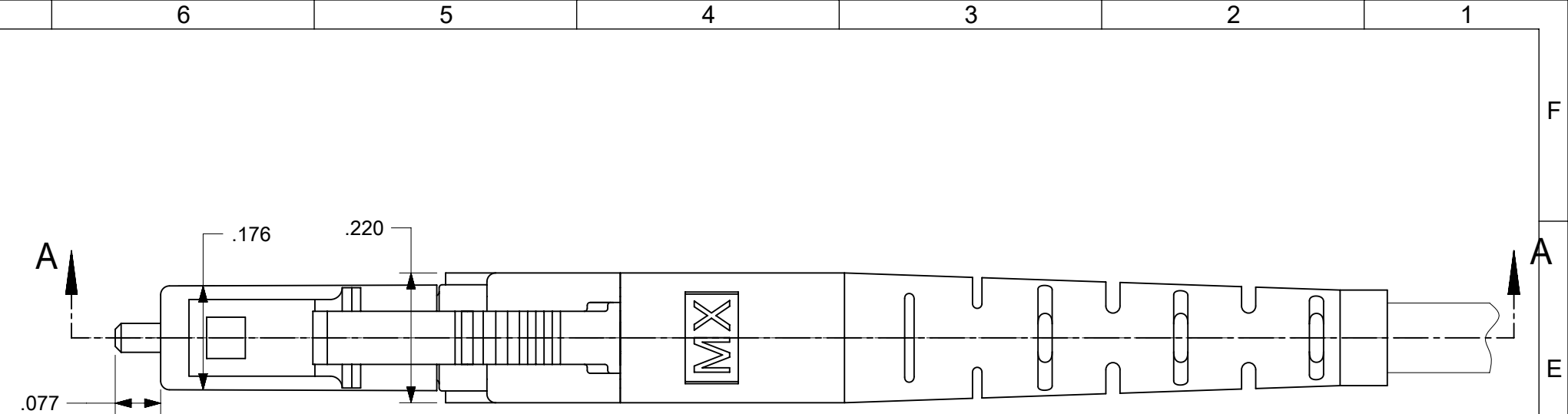
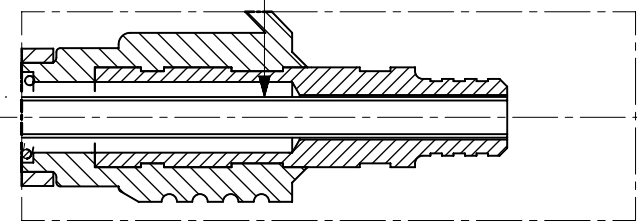


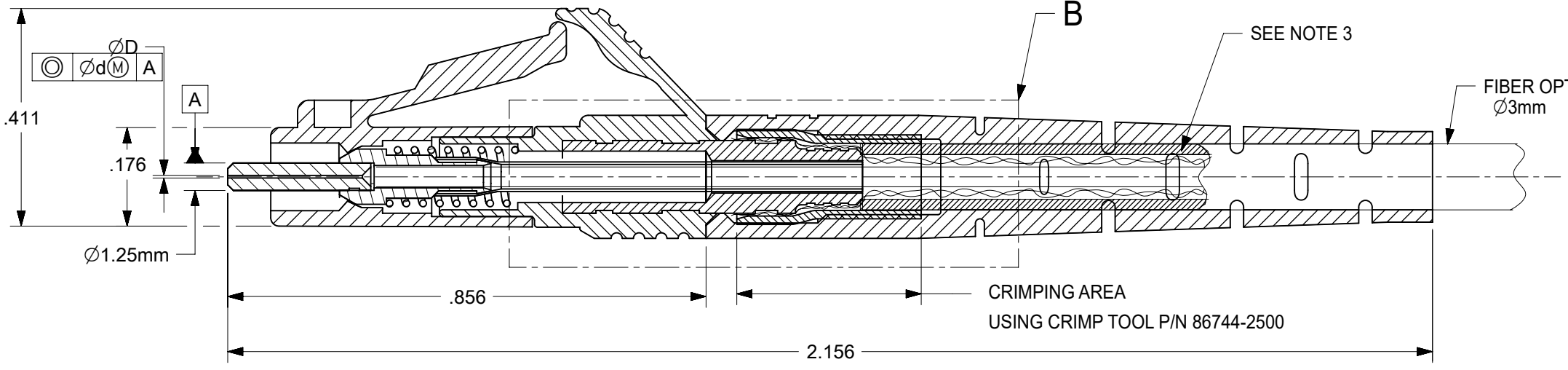
CONNECTOR P/N	ØD (µm)	Ød (µm)	FERRULE MATERIAL	CONN.BODY COLOR	CONN.Boot COLOR	CABLE TYPE
106024-2250	125.5	1	ZR	BLUE	WHITE	SINGLE MODE
106024-3250	127	3		BEIGE		MUTIMODE
106024-3260	127	1		BLUE		SINGLE MODE
106024-4250	125					
106024-5250	126					
106024-5251	126	0.5	LOW COST ZR	BEIGE	MUTIMODE	
106024-6250	125.25				BLUE	SINGLE MODE
106024-2270	125.5	3				
106024-3259	127	1				
106024-5259	126					



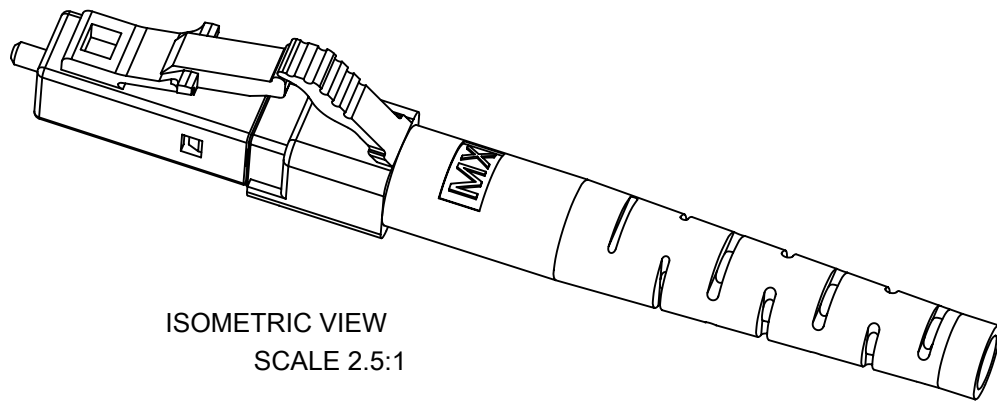
TUBING (NEED SHORTENED)  
P/N 86024-2012  
(SEE NOTE 2)



DETAIL B  
BOOT (ITEM 2) AND CRIMP TUBING (ITEM 3)  
ARE NOT SHOWN



SECTION A-A



ISOMETRIC VIEW  
SCALE 2.5:1

- NOTES:
1. ALL DIMENSION ARE FOR REFERENCE ONLY.
  2. DUST CAP NOT SHOWN.
  3. P/N 106024-5251 AND 106024-3260 ARE BULK PACKAED IN QUANTITY OF 100 PIECES.
  4. TUBING (SEE DETAIL B) MUST BE SHORTENED AFTER FILLING THE EPOXY ACCORDING TO THE TERMINATION PROCEDURE P/N PS-86028-2000

THIS DRAWING CONTAINS INFORMATION THAT IS PROPRIETARY TO MOLEX ELECTRONIC TECHNOLOGIES, LLC AND SHOULD NOT BE USED WITHOUT WRITTEN PERMISSION									
DIMENSION UNITS <b>INCH</b>		SCALE <b>4:1</b>		CURRENT REV DESC:				<b>molex</b>	
GENERAL TOLERANCES (UNLESS SPECIFIED)				EC NO: 695254					
ANGULAR TOL ± 0.5°		4 PLACES ±		DRWN: JHUANG18		2022/02/16		LC CONNECTOR 3MM CABLE APPLICATION	
3 PLACES ±		2 PLACES ±		CHKD: IGUMIN		2022/04/29			
1 PLACE ±		0 PLACES ±		APPR: IGUMIN		2022/04/29		PRODUCT CUSTOMER DRAWING	
DRAFT WHERE APPLICABLE MUST REMAIN WITHIN DIMENSIONS				THIRD ANGLE PROJECTION		DRAWING		SERIES	
B-SIZE		106024		MATERIAL NUMBER		CUSTOMER		SHEET NUMBER	
SEE TABLE		GENERAL MARKET		SD-106024-X250		PSD 001		B2	