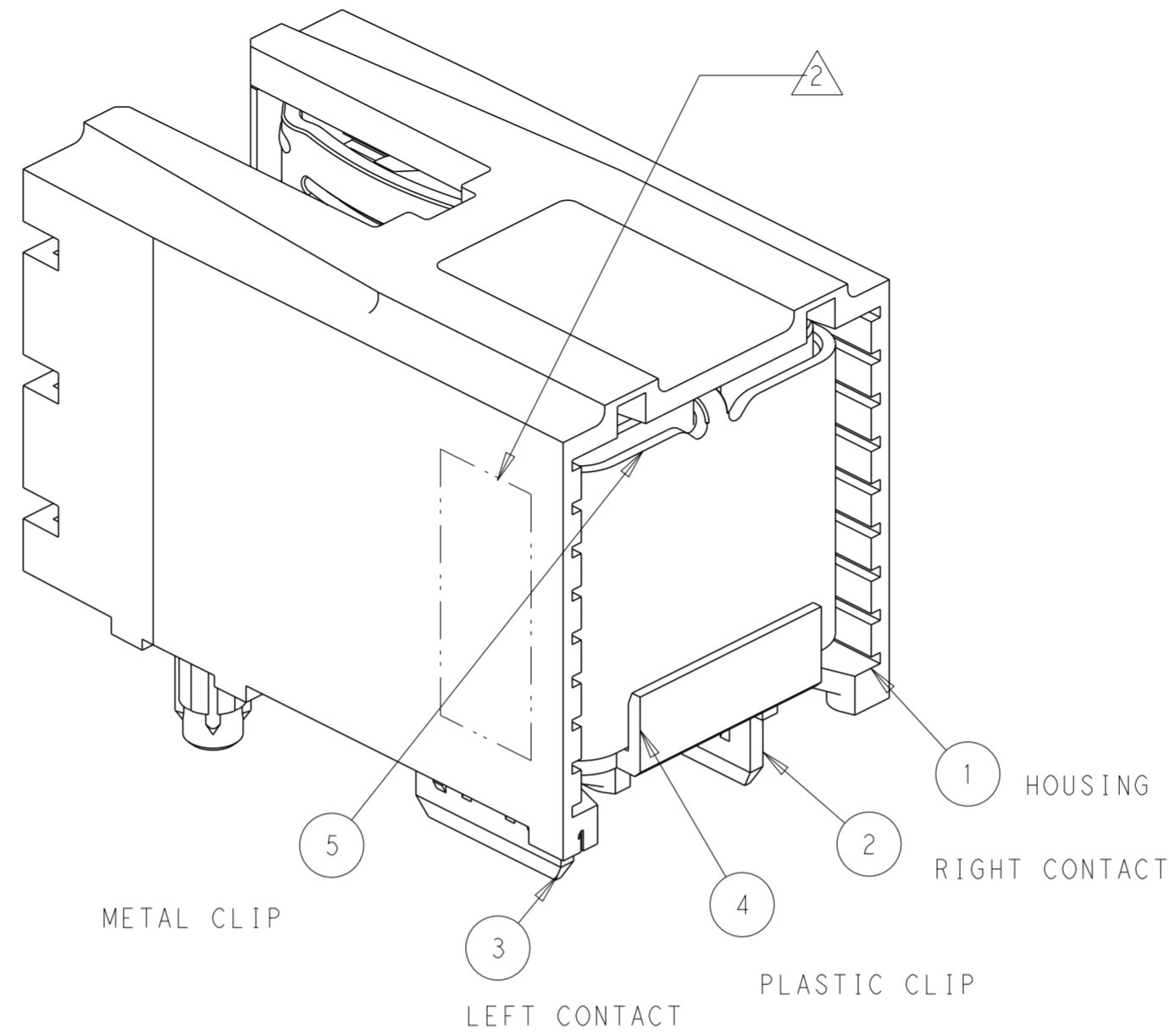
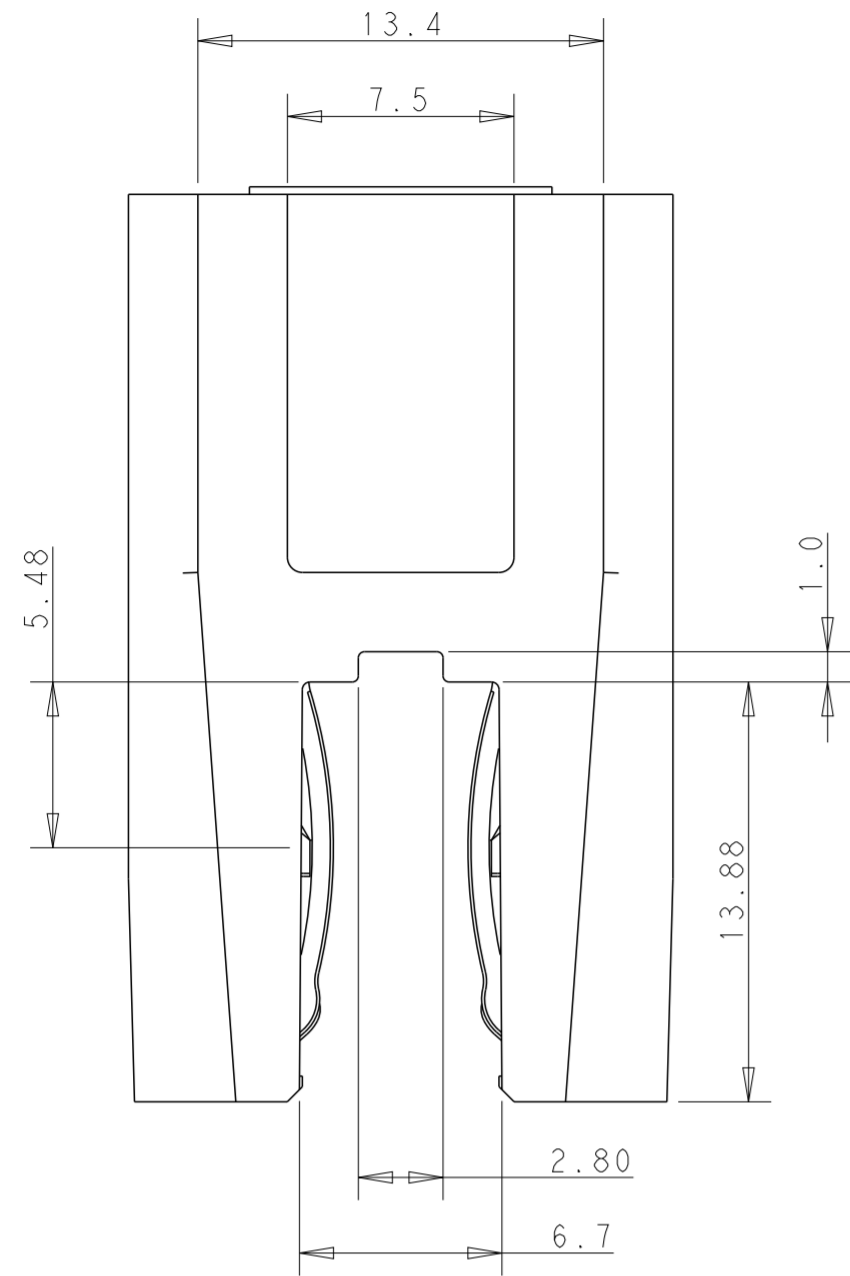


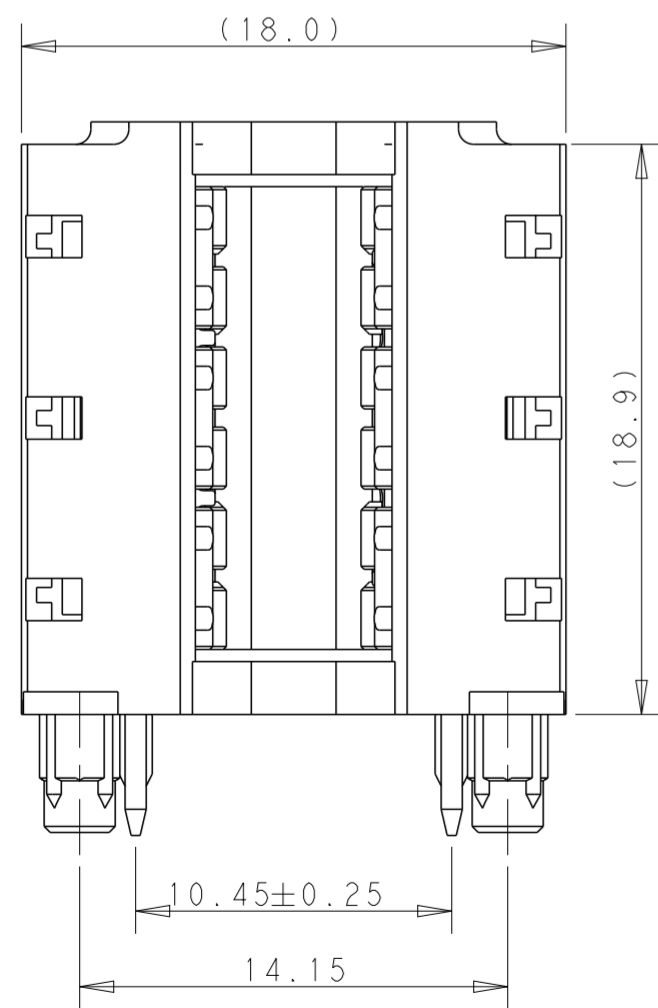
THIS DRAWING IS UNPUBLISHED. RELEASED FOR PUBLICATION 2011
 © COPYRIGHT 2011 ALL RIGHTS RESERVED.

LOC	DIST	REVISIONS					
FT	0	P	LTR	DESCRIPTION	DATE	DWN	APVD
		A2		RELEASE NEW PART NUMBER -3	22AUG2022	MAC	SH

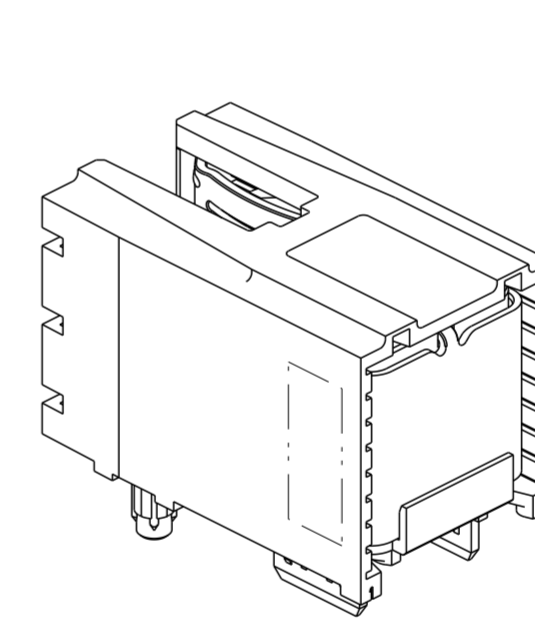
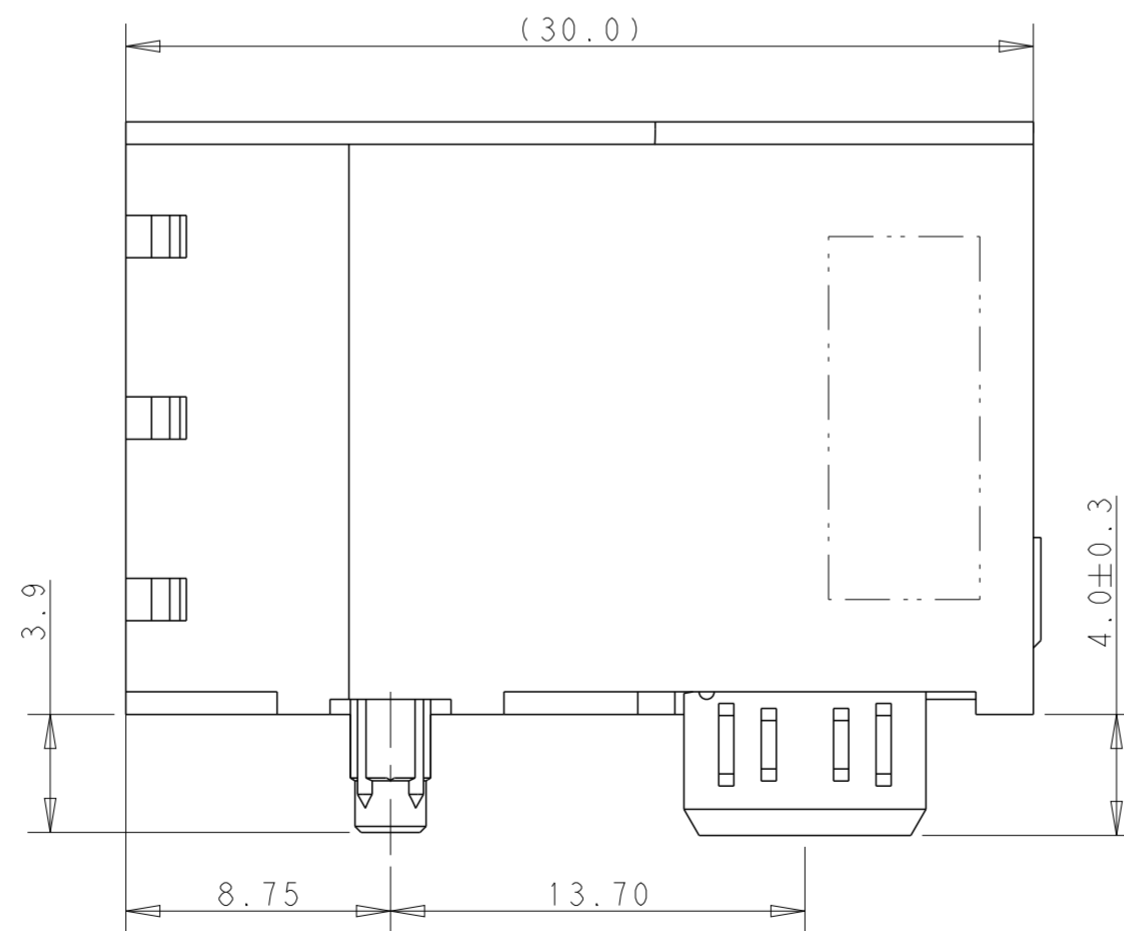


NOTES, UNLESS OTHERWISE SPECIFIED:

- MATERIAL:
 HOUSING: THERMOPLASTIC GLASS PREINFORCED,
 COLOR: BLACK, UL 94 V-0
 CONTACT: HIGH CONDUCTIVITY COPPER ALLOY
- AREA FOR DATE CODE AND P/N.
- FINISH:
 MATING AREA: NOBLE METAL PLATING OVERALL NICKEL PLATING
 TAIL AREA: MATTE TIN PLATING OVERALL NICKEL PLATING.
- SURFACE ROUGHNESS IN CONTACT AREA: Ra 1.6um MAX.
- THE RECOMMENDED MATING BUSBAR SPEC. ;
 HIGH CONDUCTIVITY COPPER ALLOY C11000/C10100/C10200
 PLATING SPEC OF P/N: 2204018-1/-2:
 0.76um OR 0.38um MIN GOLD PLATING OVER 1.27um MIN
 MATTE NICKEL BASED-PLATING ON CONTACTING AREA,
 PLATING SPEC OF P/N: 2204018-3:
 3um MIN SEMI-BRIGHT OR BRIGHT SILVER PLATING OVER 1.27um
 MIN MATTE NICKEL BASED-PLATING ON CONTACTING AREA,

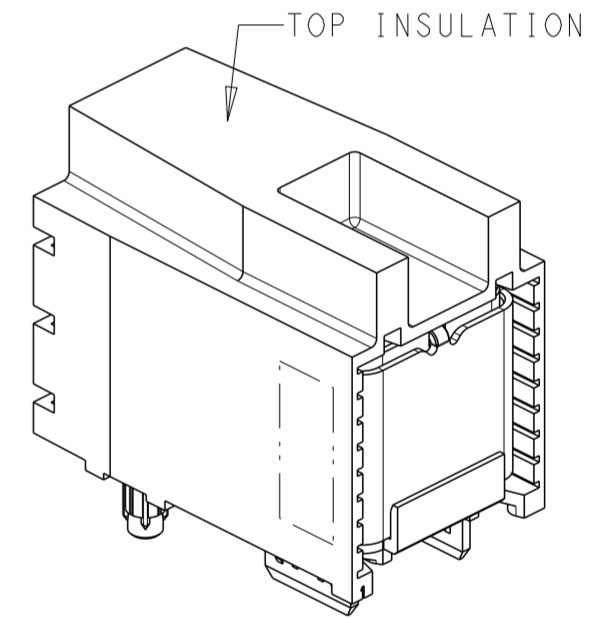


REFERENCE PRODUCT VIEW
 P/N: 2204018-1/-3



SCALE 2:1

PRODUCT VIEW
 P/N: 2204018-1/3



SCALE 2:1

PRODUCT VIEW W/ TOP INSULATION
 P/N: 2204018-2

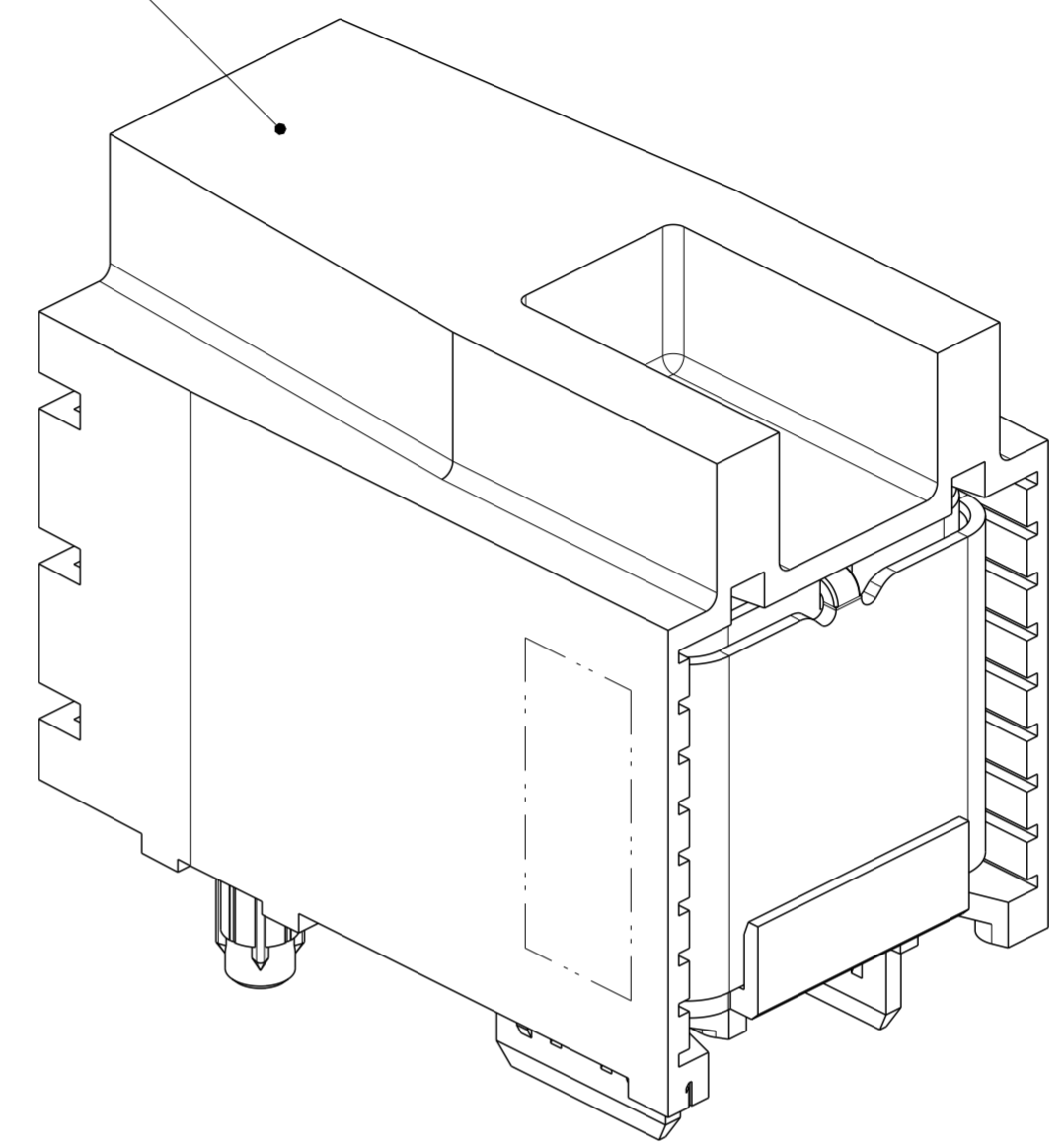
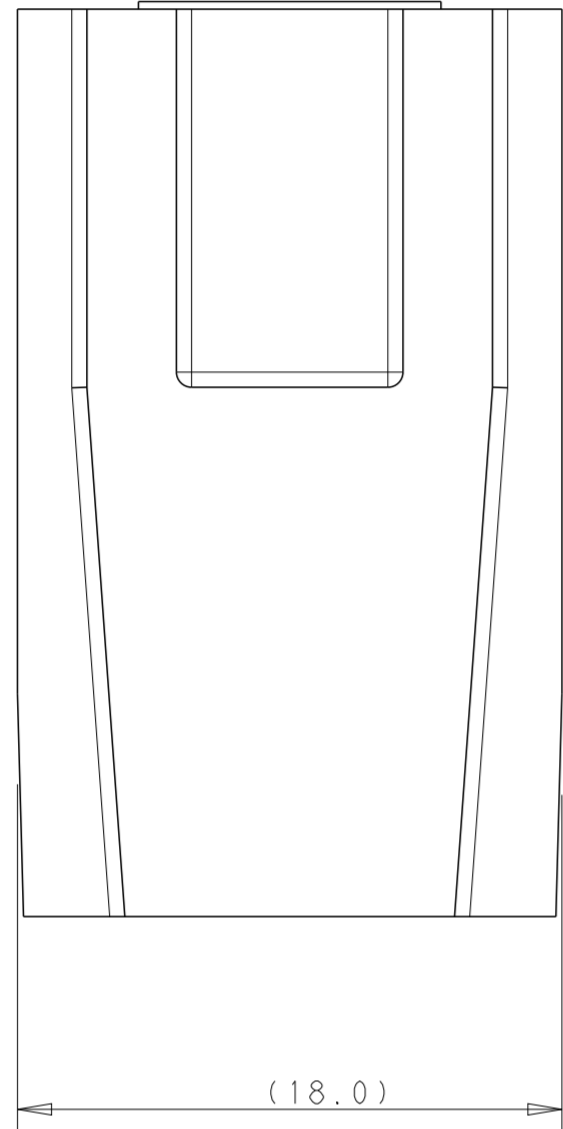
PRODUCT NUMBER	DESCRIPTION	MATING BUSBAR	ITEM
2204018-3	DUAL CROWN CLIP JUNIOR CONN, SILVER PLATING	Ag PLATING	3
2204018-2	DUAL CROWN CLIP JUNIOR CONN W/TOP INSULATION	Au PLATING	2
2204018-1	DUAL CROWN CLIP JUNIOR CONN	Au PLATING	1

THIS DRAWING IS A CONTROLLED DOCUMENT.		DWN J. CHENG 11JAN2012	TE Connectivity	
DIMENSIONS: mm		CHK S. ZHAO 11JAN2012		
TOLERANCES UNLESS OTHERWISE SPECIFIED:		APVD S. ZHAO 11JAN2012	NAME PLUGGABLE BUSBAR CONNECTOR SOLDER VERSION DUAL POLE CROWN CLIP JR	
0 PLC ± - 1 PLC ±0.25 2 PLC ±0.15 3 PLC ±0.05 4 PLC ± - ANGLES ±° FINISH		PRODUCT SPEC -	SIZE A2	CAGE CODE 00779
MATERIAL		APPLICATION SPEC -	DRAWING NO 2204018	RESTRICTED TO -
		WEIGHT -	SCALE 4:1	SHEET 1 OF 3
		CUSTOMER DRAWING	REV A2	

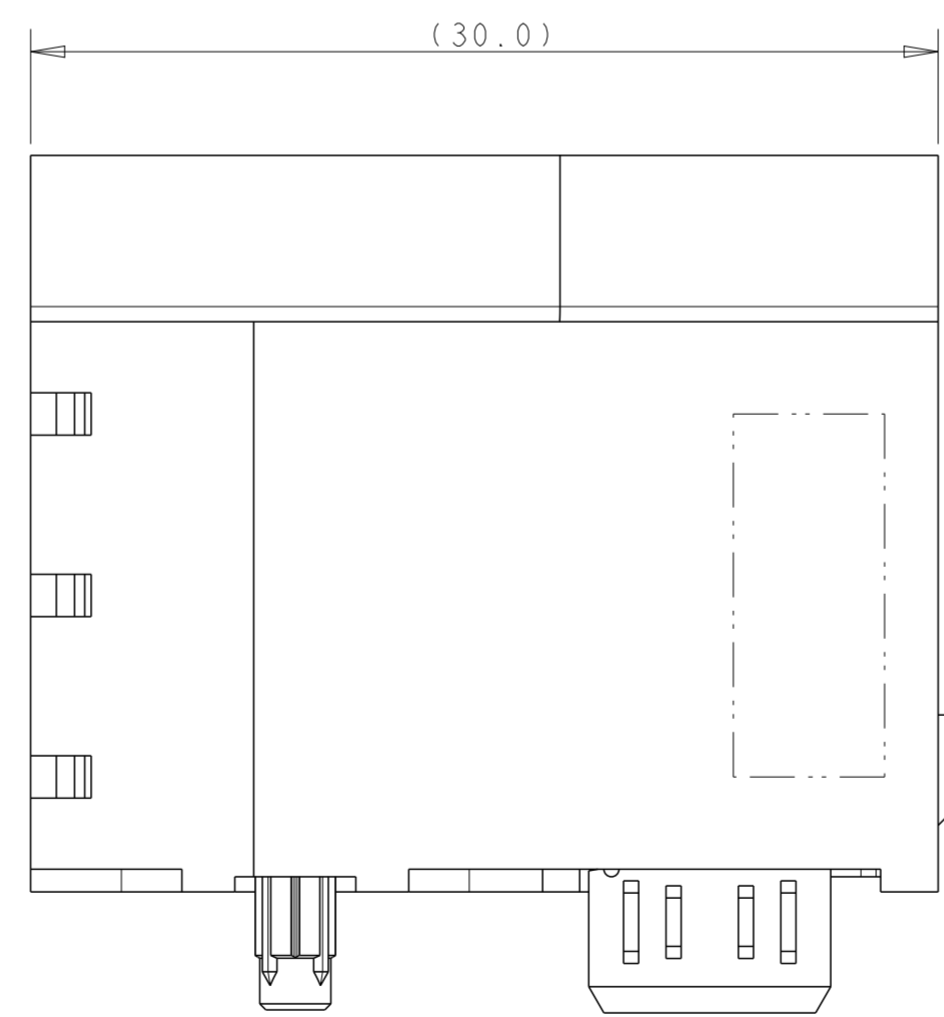
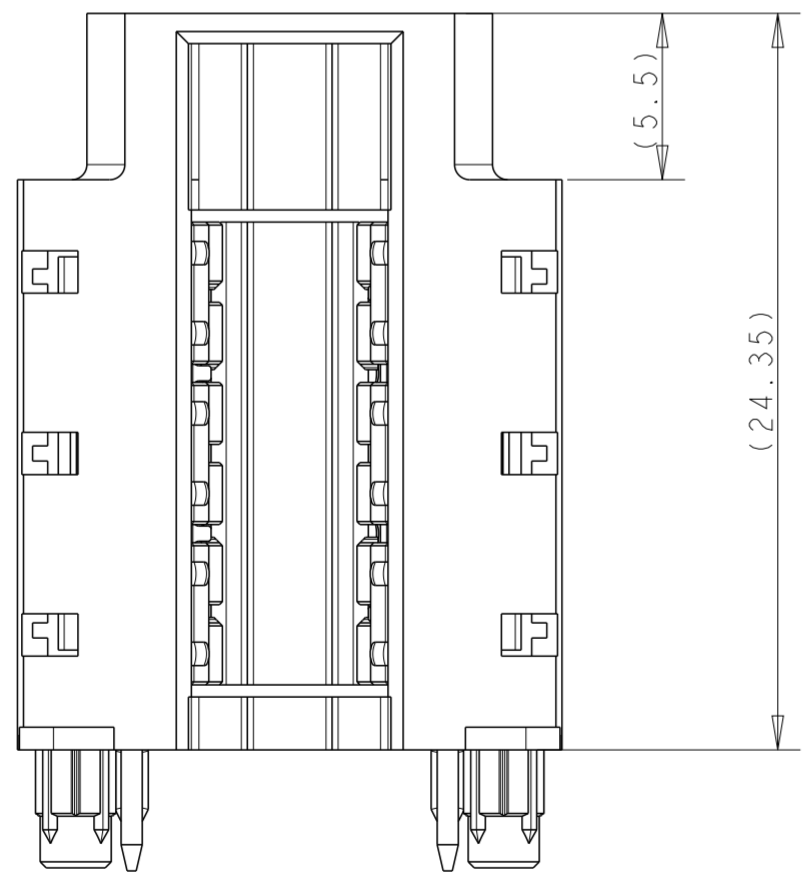
THIS DRAWING IS UNPUBLISHED. RELEASED FOR PUBLICATION 2011
 © COPYRIGHT 2011 ALL RIGHTS RESERVED.

LOC		DIST		REVISIONS			
P	LTR	DESCRIPTION		DATE	DWN	APVD	
-	-	SEE SHEET 1		-	-	-	

TOP INSULATION FEATURE



SCALE 4:1

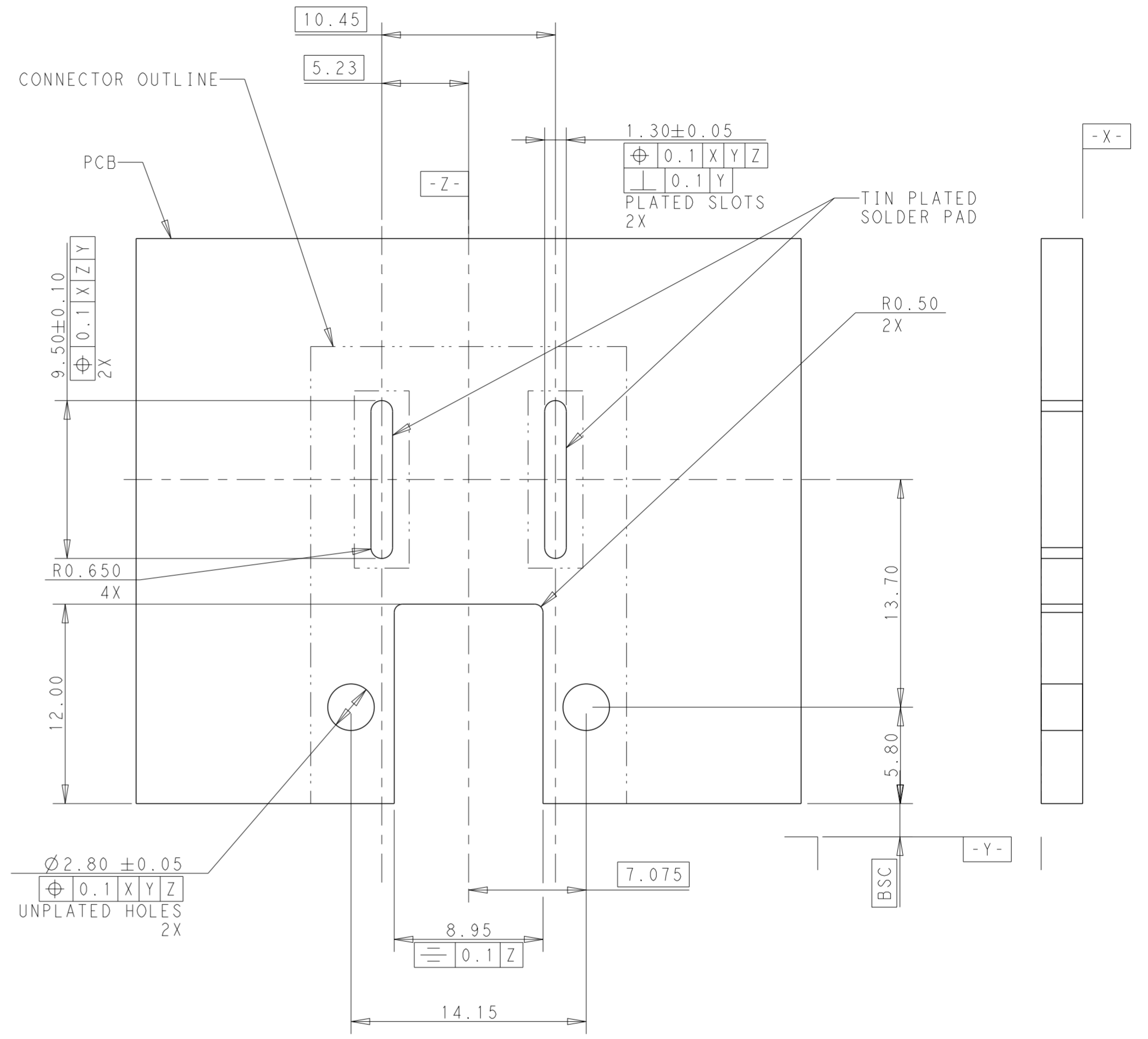
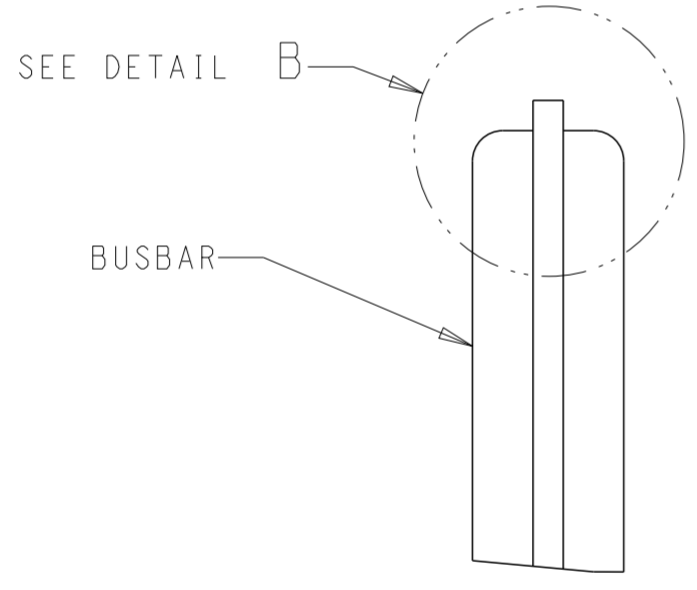
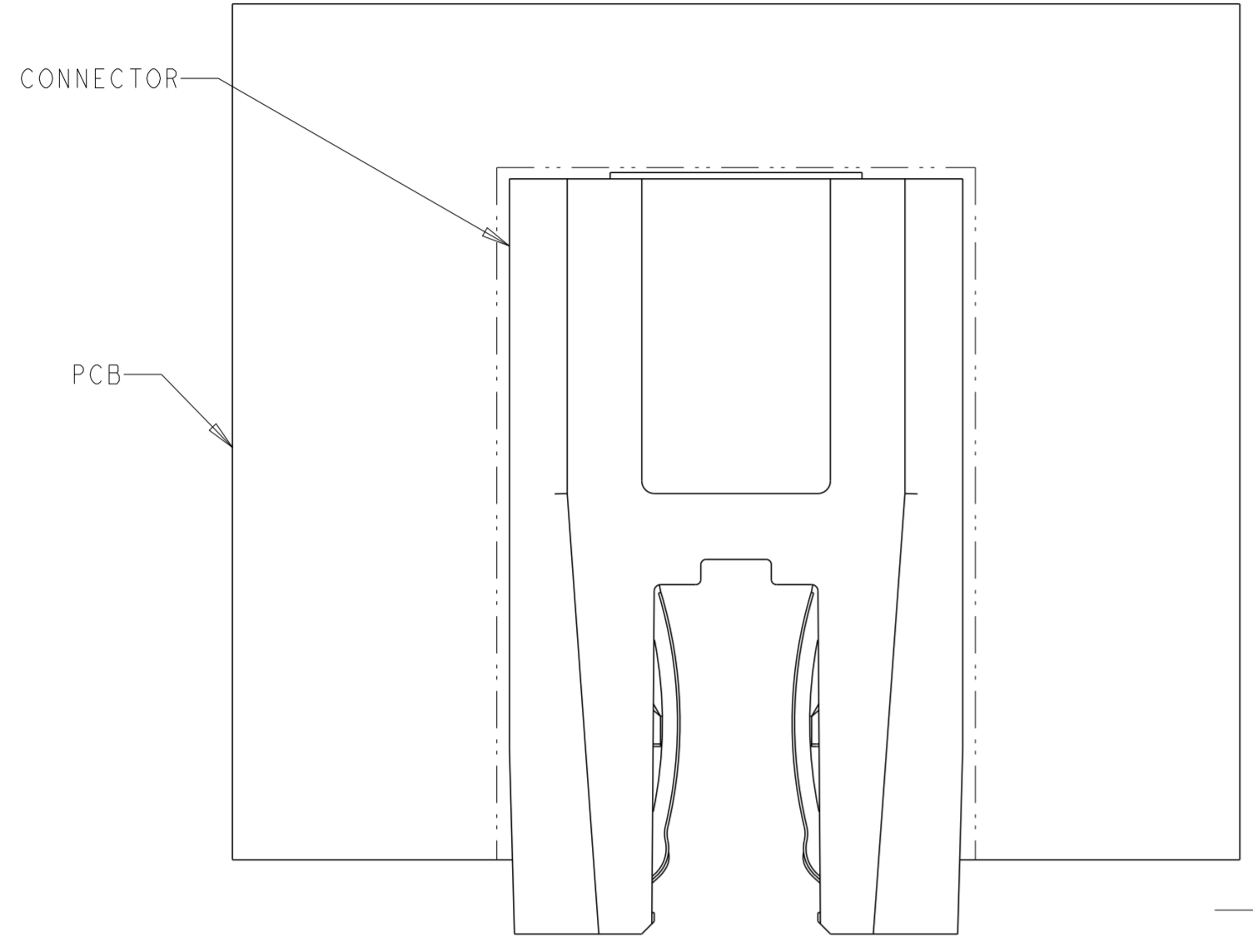


REFERENCE PRODUCT VIEW
 P/N: 2204018-2
 THE DIFFERENCE WITH P/N 2204018-1 IS TOP INSULATION FEATURE
 SCALE 4:1

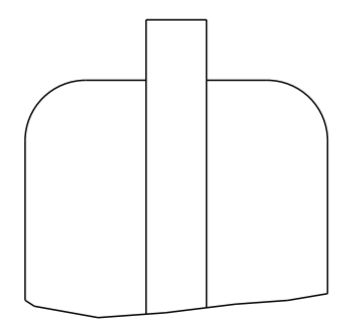
THIS DRAWING IS A CONTROLLED DOCUMENT.		DWN	J. CHENG	11JAN2012	 TE Connectivity	NAME PLUGGABLE BUSBAR CONNECTOR SOLDER VERSION DUAL POLE CROWN CLIP JR	
DIMENSIONS:		CHK	S. ZHAO	11JAN2012			
mm		APVD	S. ZHAO	11JAN2012			
TOLERANCES UNLESS OTHERWISE SPECIFIED:		PRODUCT SPEC		SIZE			CAGE CODE
0 PLC	±	APPLICATION SPEC		A2		00779	C-2204018
1 PLC	±0.25	WEIGHT		SCALE		4:1	SHEET
2 PLC	±0.15	MATERIAL		CUSTOMER DRAWING		2 OF 3	
3 PLC	±0.05	finish		material_2		REV	
4 PLC	±	FINISH		finish_spec_2		A2	
ANGLES	±1°	MATERIAL		material_2		finish_spec_2	

THIS DRAWING IS UNPUBLISHED. RELEASED FOR PUBLICATION 2011
 © COPYRIGHT 2011 ALL RIGHTS RESERVED.

LOC		DIST		REVISIONS			
P	LTR	DESCRIPTION		DATE	DWN	APVD	
-	-	SEE SHEET 1		-	-	-	



RECOMMENDED PCB LAYOUT
 THICKNESS: 1.6-2.5MM



DETAIL B
 SCALE 8:1

THIS DRAWING IS A CONTROLLED DOCUMENT.		DWN	J. CHENG	11JAN2012	 TE Connectivity
DIMENSIONS: mm		CHK	S. ZHAO	11JAN2012	
TOLERANCES UNLESS OTHERWISE SPECIFIED:		APVD	S. ZHAO	11JAN2012	
0 PLC ± - 1 PLC ±0.25 2 PLC ±0.15 3 PLC ±0.05 4 PLC ± - ANGLES ±1° FINISH -		PRODUCT SPEC	NAME		
MATERIAL	material_2	APPLICATION SPEC	SIZE		A2
CUSTOMER DRAWING		WEIGHT	CAGE CODE		00779
SCALE		DRAWING NO		RESTRICTED TO	
2:1		G-2204018		-	
SHEET		3 OF 3		REV	
3		A2			