

AXL F DO32/1 2H - Digital module



1004925

<https://www.phoenixcontact.com/us/products/1004925>

Please be informed that the data shown in this PDF document is generated from our online catalog. Please find the complete data in the user documentation. Our general terms of use for downloads are valid.



Axioline F, Digital output module, Digital outputs: 32, 24 V DC, 500 mA, connection technology: 1-conductor, transmission speed in the local bus: 100 Mbps, degree of protection: IP20, including bus base module and Axioline F connectors

Product description

The module is designed for use within an Axioline F station. It is used to output digital signals. The outputs are protected against short circuit and overload.

Your advantages

- 32 digital outputs
- 24 V DC, 500 mA
- Connection of actuators in 1-conductor technology
- Single-channel diagnostics
- Minimum update time of < 100 μ s
- Device rating plate stored

Commercial data

Item number	1004925
Packing unit	1 pc
Minimum order quantity	1 pc
Sales key	DR02
Product key	DRI232
Catalog page	Page 77 (C-6-2019)
GTIN	4055626474700
Weight per piece (including packing)	214.3 g
Weight per piece (excluding packing)	159 g
Customs tariff number	85389091
Country of origin	DE

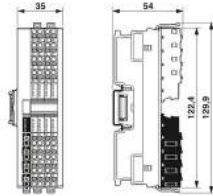
AXL F DO32/1 2H - Digital module

1004925

<https://www.phoenixcontact.com/us/products/1004925>

Technical data

Dimensions

Dimensional drawing	
Width	35 mm
Height	129.9 mm
Depth	54 mm
Note on dimensions	The depth applies when a TH 35-7.5 DIN rail is used (in accordance with EN 60715).

Interfaces

Axioline F local bus

Number of interfaces	2
Connection method	Bus base module
Transmission speed	100 Mbps

System properties

Module

Input address area	0 Byte
Output address area	4 Byte
Required parameter data	1 Byte
Required configuration data	6 Byte

Output data

Digital

Output name	Digital outputs
Connection method	Push-in connection
Connection technology	1-conductor
Number of outputs	32
Protective circuit	Short-circuit protection, overload protection of the outputs; electronic
Output voltage	24 V DC
Limitation of the voltage induced on circuit interruption	-32.8 V ... -15 V
Maximum output current per module	16 A (provide external protection)
Nominal output voltage	24 V DC
Load min.	10 kΩ
Output voltage when switched off	max. 1 V

AXL F DO32/1 2H - Digital module



1004925

<https://www.phoenixcontact.com/us/products/1004925>

Output current when switched off	max. 300 μ A
Nominal load, inductive	max. 12 VA (1.2 H, 48 Ω , with nominal voltage)
Nominal load, lamp	max. 12 W (at nominal voltage)
Nominal load, ohmic	max. 12 W (48 Ω , with nominal voltage)
Switching frequency	max. 5500 per second (with ohmic load)
	max. 1 per second (with inductive load)
	max. 16 per second (with nominal lamp load)
Reverse voltage resistance to short pulses	limited protection up to 0.5 A for 1 s
Behavior with overload	Shutdown with automatic restart
Behavior with inductive overload	Output can be destroyed
Signal delay	max. 150 μ s (when switched on)
	max. 200 μ s (during switching off with ohmic nominal load)
Overcurrent shut-down	as of 0.7 A
Output current with ground connection interrupt when switched off	< 1 mA

Product properties

Type	block modular
Product type	I/O component
Product family	Axioline F
Mounting position	any (no temperature derating)
Scope of delivery	including bus base module and Axioline F connectors

Insulation characteristics

Overvoltage category	II (IEC 60664-1, EN 60664-1)
Pollution degree	2 (IEC 60664-1, EN 60664-1)

Electrical properties

Maximum power dissipation for nominal condition	2.7 W
---	-------

Potentials: Axioline F local bus supply (U_{Bus})

Supply voltage	5 V DC (via bus base module)
Current draw	max. 60 mA
Power consumption	max. 300 mW

Potentials: Supply for digital output modules (U_O)

Supply voltage	24 V DC
Supply voltage range	19.2 V DC ... 30 V DC (including all tolerances, including ripple)
Current draw	max. 16 A (Provide external protection; if the total current of 8 A is exceeded, connect the supply at the power connector parallel via both terminal points.)
Power consumption	max. 480 W (of which 2.4 W constitute internal losses)
Protective circuit	Surge protection; electronic (35 V, 0.5 s)
	Reverse polarity protection; parallel diode; with external 5 A fuse (only for commissioning)

Connection data

AXL F DO32/1 2H - Digital module



1004925

<https://www.phoenixcontact.com/us/products/1004925>

Connection technology

Connection name	Axioline F connector
Note on the connection method	Please observe the information provided on conductor cross sections in the "Axioline F: system and installation" user manual. With a small conductor cross section and high current, the terminal point temperature can reach up to 31 K above the ambient temperature. When selecting the cables, observe the permissible operating temperature in accordance with IEC or UL.

Conductor connection

Connection method	Push-in connection
Conductor cross section rigid	0.2 mm ² ... 1.5 mm ²
Conductor cross section flexible	0.2 mm ² ... 1.5 mm ²
Conductor cross section AWG	24 ... 16
Stripping length	8 mm

Axioline F connector

Connection method	Push-in connection
Note on the connection method	Please observe the information provided on conductor cross sections in the "Axioline F: system and installation" user manual. With a small conductor cross section and high current, the terminal point temperature can reach up to 31 K above the ambient temperature. When selecting the cables, observe the permissible operating temperature in accordance with IEC or UL.
Conductor cross section, rigid	0.2 mm ² ... 1.5 mm ²
Conductor cross section, flexible	0.2 mm ² ... 1.5 mm ²
Conductor cross section AWG	24 ... 16
Stripping length	8 mm

Environmental and real-life conditions

Ambient conditions

Ambient temperature (operation)	-25 °C ... 60 °C
Degree of protection	IP20
Air pressure (operation)	70 kPa ... 106 kPa (up to 3000 m above sea level)
Air pressure (storage/transport)	70 kPa ... 106 kPa (up to 3000 m above sea level)
Ambient temperature (storage/transport)	-40 °C ... 85 °C
Permissible humidity (operation)	5 % ... 95 % (non-condensing)
Permissible humidity (storage/transport)	5 % ... 95 % (non-condensing)

Standards and regulations

Protection class	III (IEC 61140, EN 61140, VDE 0140-1)
------------------	---------------------------------------

Mounting

Mounting type	DIN rail mounting
Mounting position	any (no temperature derating)

AXL F DO32/1 2H - Digital module

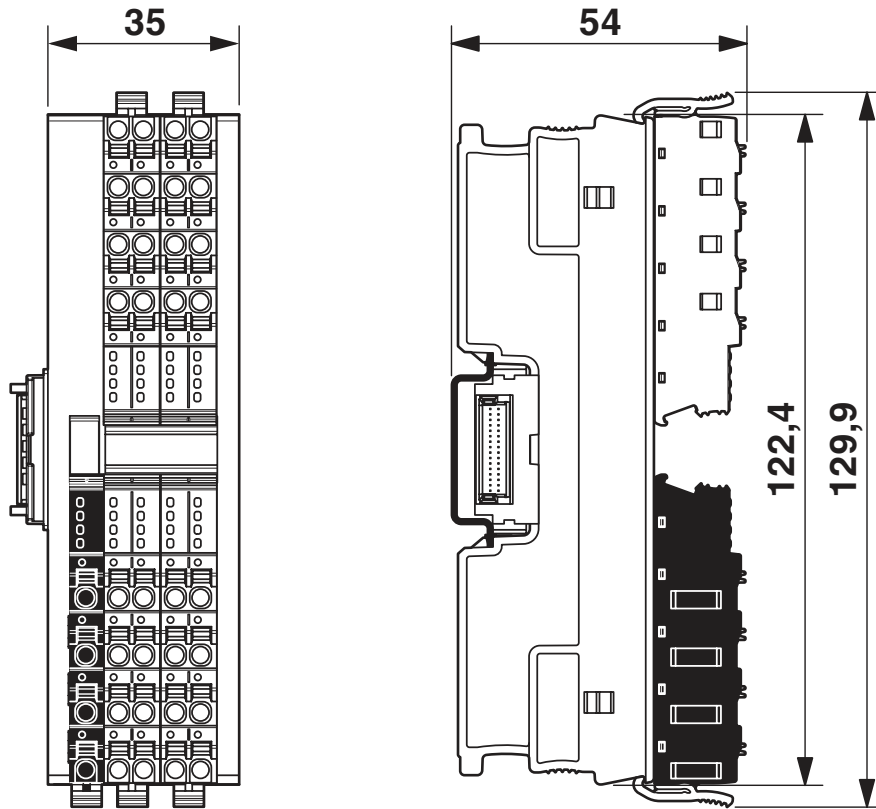
1004925

<https://www.phoenixcontact.com/us/products/1004925>



Drawings

Dimensional drawing



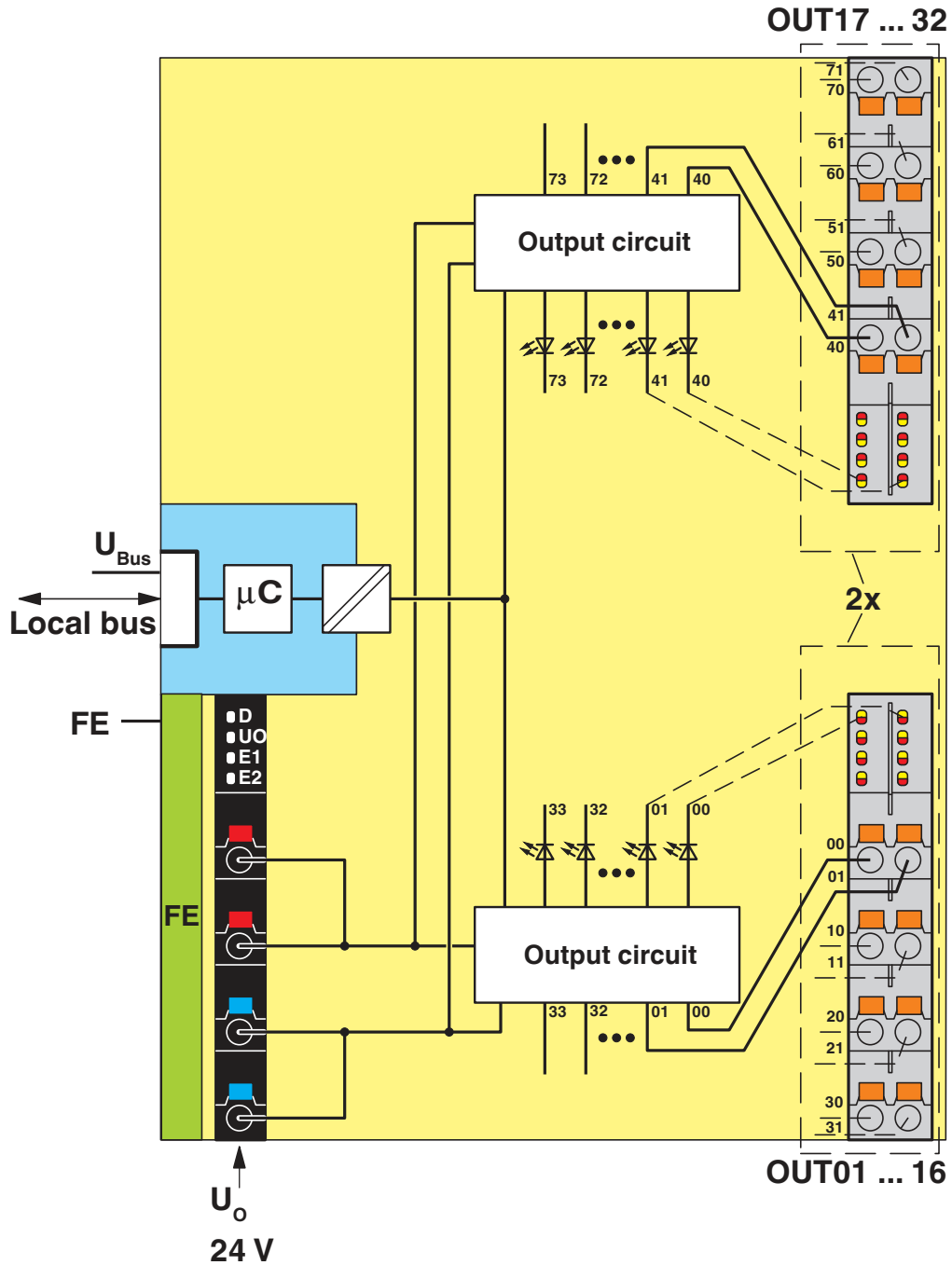
Dimensions

AXL F DO32/1 2H - Digital module

1004925

<https://www.phoenixcontact.com/us/products/1004925>

Block diagram



Internal wiring of the terminal points

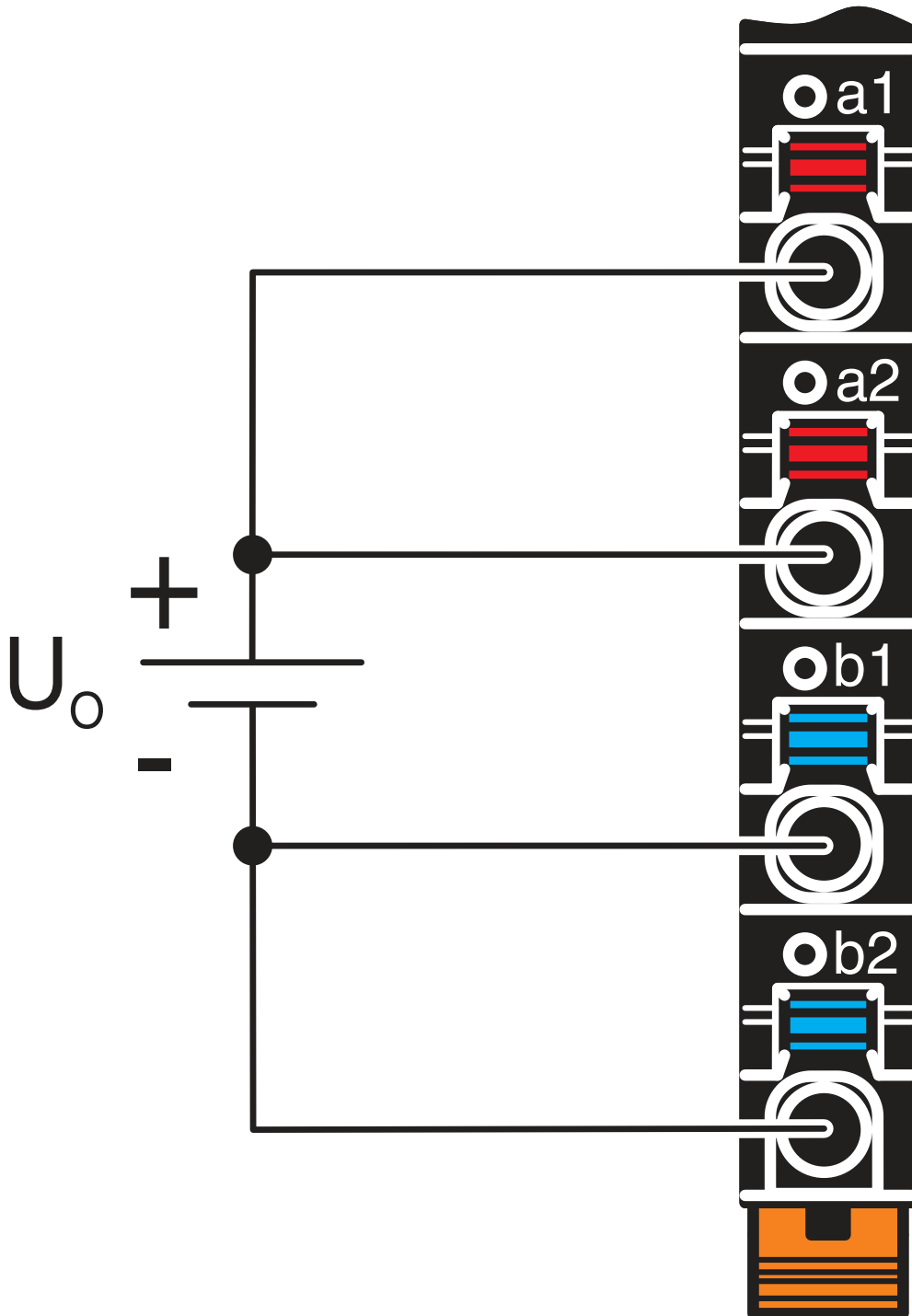
AXL F DO32/1 2H - Digital module

1004925

<https://www.phoenixcontact.com/us/products/1004925>



Connection diagram



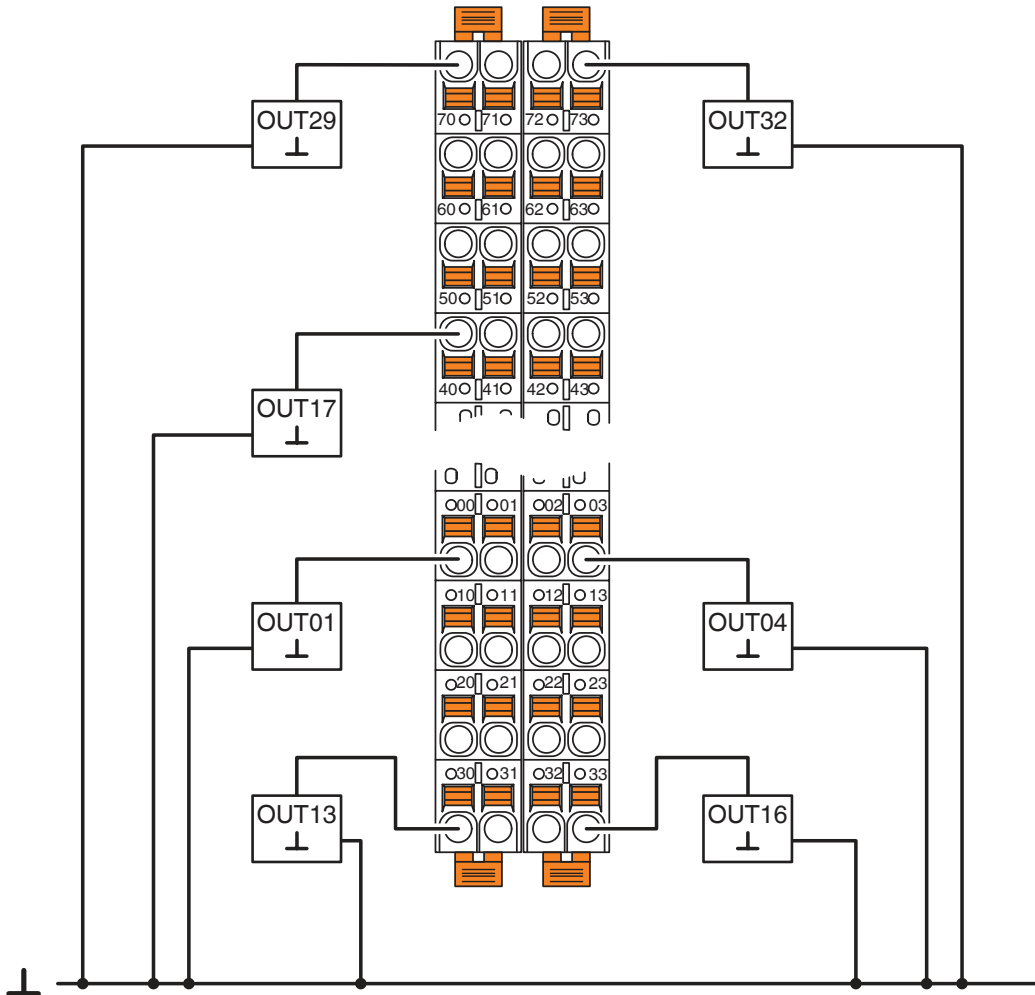
Parallel supply of the supply voltage

AXL F DO32/1 2H - Digital module

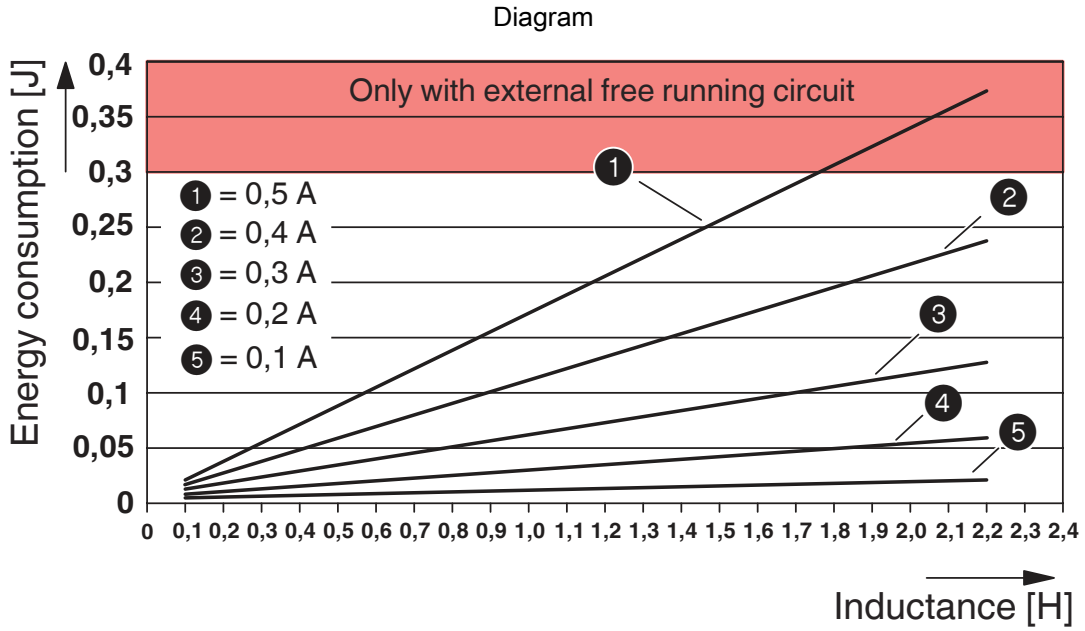
1004925

<https://www.phoenixcontact.com/us/products/1004925>

Connection diagram



Connection in 1-conductor technology



Maximum outputs power consumption when inductive loads are switched off

AXL F DO32/1 2H - Digital module



1004925

<https://www.phoenixcontact.com/us/products/1004925>

Approvals

To download certificates, visit the product detail page: <https://www.phoenixcontact.com/us/products/1004925>



DNV GL

Approval ID: TAA00000DF



LR

Approval ID: LR2001902TA



NK

Approval ID: 14A006



BV

Approval ID: 36433/B4 BV



PRS

Approval ID: TE/1020/880590/21



UL Listed

Approval ID: FILE E 238705



cUL Listed

Approval ID: FILE E 238705

BSH

Approval ID: 840



RINA

Approval ID: ELE283021XG

ABS

Approval ID: 21-2187864-PDA



cUL Listed

Approval ID: FILE E 238705

AXL F DO32/1 2H - Digital module



1004925

<https://www.phoenixcontact.com/us/products/1004925>



UL Listed

Approval ID: FILE E 238705

ABS

Approval ID: 21-2187864-PDA

BSH

Approval ID: 840



BV

Approval ID: 36433/B4 BV



DNV GL

Approval ID: TAA00000DF



PRS

Approval ID: TE/1020/880590/21

ClassNK

NK

Approval ID: 14A006



RINA

Approval ID: ELE283021XG



LR

Approval ID: LR2001902TA

UAE-RoHS

Approval ID: 23-02-63242

AXL F DO32/1 2H - Digital module



1004925

<https://www.phoenixcontact.com/us/products/1004925>

Classifications

ECLASS

ECLASS-11.0	27242604
ECLASS-12.0	27242604
ECLASS-13.0	27242604

ETIM

ETIM 8.0	EC001599
----------	----------

UNSPSC

UNSPSC 21.0	32151600
-------------	----------

AXL F DO32/1 2H - Digital module



1004925

<https://www.phoenixcontact.com/us/products/1004925>

Environmental product compliance

REACH SVHC	Lead 7439-92-1
China RoHS	Environmentally Friendly Use Period = 50 years
	For information on hazardous substances, refer to the manufacturer's declaration available under "Downloads"

AXL F DO32/1 2H - Digital module

1004925

<https://www.phoenixcontact.com/us/products/1004925>



Accessories

AXL F BS H - Bus connector

2700992

<https://www.phoenixcontact.com/us/products/2700992>

Axioline F bus base module for housing type H



ZB 20,3 AXL UNPRINTED - Zack marker strip

0829579

<https://www.phoenixcontact.com/us/products/0829579>



Zack marker strip for Axioline F (device labeling), in 2 x 20.3 mm pitch, unprinted, 25-section, for individual labeling with B-STIFT 0.8, X-PEN, or CMS-P1-PLOTTER

AXL F DO32/1 2H - Digital module

1004925

<https://www.phoenixcontact.com/us/products/1004925>



ZBF 10/5,8 AXL UNPRINTED - Zack Marker strip, flat

0829580

<https://www.phoenixcontact.com/us/products/0829580>



Zack Marker strip, flat, Strip, white, unlabeled, can be labeled with: PLOTMARK, CMS-P1-PLOTTER, mounting type: snapped, for terminal block width: 10.15 mm, lettering field size: 4 x 10, 15 x 5 mm, 1 x 5.8 x 5 mm, Number of individual labels: 50

CABLE-FLK14/AXIO/OE/0,14/0,5M - Cable

1369888

<https://www.phoenixcontact.com/us/products/1369888>



Round cable set; controller: Axioline Realtime I/O; connection 1: Single wires (8-position) (The wires are marked and fitted with ferrules); connection 2: IDC/FLK socket strip (1x 14-position); cable length: 0.5 m

AXL F DO32/1 2H - Digital module

1004925

<https://www.phoenixcontact.com/us/products/1004925>

CABLE-FLK14/AXIO/OE/0,14/1,0M - Cable

1369897

<https://www.phoenixcontact.com/us/products/1369897>



Round cable set; controller: Axioline Realtime I/O; connection 1: Single wires (8-position) (The wires are marked and fitted with ferrules); connection 2: IDC/FLK socket strip (1x 14-position); cable length: 1 m

CABLE-FLK14/AXIO/OE/0,14/1,5M - Cable

1369902

<https://www.phoenixcontact.com/us/products/1369902>



Round cable set; controller: Axioline Realtime I/O; connection 1: Single wires (8-position) (The wires are marked and fitted with ferrules); connection 2: IDC/FLK socket strip (1x 14-position); cable length: 1.5 m

AXL F DO32/1 2H - Digital module

1004925

<https://www.phoenixcontact.com/us/products/1004925>

CABLE-FLK14/AXIO/OE/0,14/2,0M - Cable

1369904

<https://www.phoenixcontact.com/us/products/1369904>



Round cable set; controller: Axioline Realtime I/O; connection 1: Single wires (8-position) (The wires are marked and fitted with ferrules); connection 2: IDC/FLK socket strip (1x 14-position); cable length: 2 m

CABLE-FLK14/AXIO/OE/0,14/3,0M - Cable

1369905

<https://www.phoenixcontact.com/us/products/1369905>



Round cable set; controller: Axioline Realtime I/O; connection 1: Single wires (8-position) (The wires are marked and fitted with ferrules); connection 2: IDC/FLK socket strip (1x 14-position); cable length: 3 m

AXL F DO32/1 2H - Digital module



1004925

<https://www.phoenixcontact.com/us/products/1004925>

CABLE-FLK14/AXIO/OE/0,14/4,0M - Cable

1369906

<https://www.phoenixcontact.com/us/products/1369906>



Round cable set; controller: Axioline Realtime I/O; connection 1: Single wires (8-position) (The wires are marked and fitted with ferrules); connection 2: IDC/FLK socket strip (1x 14-position); cable length: 4 m

CABLE-FLK14/AXIO/OE/0,14/6,0M - Cable

1369909

<https://www.phoenixcontact.com/us/products/1369909>



Round cable set; controller: Axioline Realtime I/O; connection 1: Single wires (8-position) (The wires are marked and fitted with ferrules); connection 2: IDC/FLK socket strip (1x 14-position); cable length: 6 m

Phoenix Contact 2023 © - all rights reserved
<https://www.phoenixcontact.com>

Phoenix Contact USA
586 Fulling Mill Road
Middletown, PA 17057, United States
(+717) 944-1300
info@phoenixcon.com