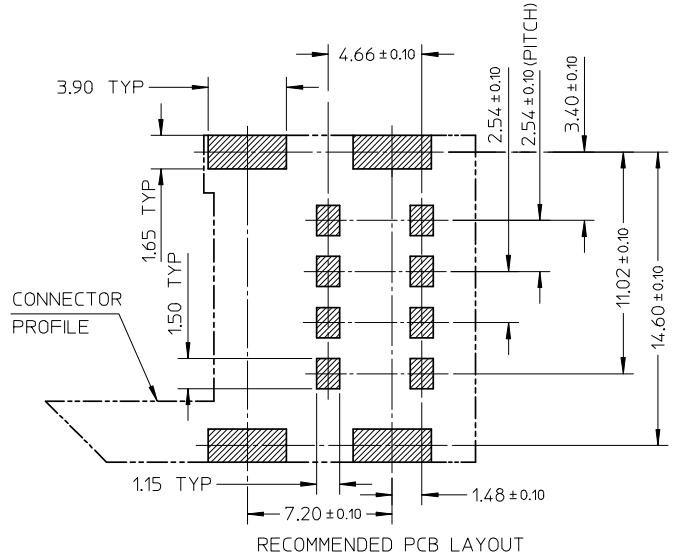


NOTE:

- MATERIAL: HOUSING:LCP,45% GLASS-FILLED,UL 94V-0,COLOR IS BLACK. TERMINAL:BeCu C17200(290) TM06,THICKNESS IS 0.12mm. SHELL:STAINLESS STEEL,THICKNESS IS 0.15mm.
- FINISH: TERMINAL: CONTACT AREA:SELECTIVE 0.75 TO 1.25 MICRON GOLD . SOLDER TAIL:0.05 TO 0.125 MICRON GOLD FLASH. UNDERPLATING ALL OVER 1.25 TO 3.75 MICRON NICKEL. GUIDE RAIL: SELECTIVE 0.05 TO 0.125 MICRON GOLD FLASH OVER 1.25 TO 3.75 MICRON NICKEL ON SOLDER TAIL AREA.
- COPLANARITY:0.1MM MAX. AMONG THESE SOLDER TAILS.
- PRODUCT SPECIFICATION:PS-47468-001.
- DATE CODE(4 DIGITS)

***	EXAMPLE
DAY COUNTED FROM	2006/01/15 → 6015
FIRST DAY OF THE YEAR	2006/02/10 → 6041
YEAR	2007/03/10 → 7069
- THE PART 474688001 COMPLIANT TO RoHS DIRECTIVE 2002/95/EC AND ELV 2000/53/EC.



NEW RELEASE EC NO: SH2008-0466 DRWN:HPQIAN 2008/03/24 CHKD:RZHANG 2008/03/24 APPR:HWANG 2008/06/12	QUALITY SYMBOLS ▽=0 ∇=0	GENERAL TOLERANCES (UNLESS SPECIFIED)		DIMENSION STYLE MM ONLY		SCALE 4:1	DESIGN UNITS METRIC	THIRD ANGLE PROJECTION		
		mm	INCH	DRAWN BY HPQIAN	DATE 2008/03/04	TITLE 8 PIN MEGA SIM WITH GUIDE RAIL				
		4 PLACES ± ---	± ---	CHECKED BY RZHANG	DATE 2008/03/04	MATERIAL NO. 474688001				
		3 PLACES ± ---	± ---	APPROVED BY HARVEY	DATE 2008/03/04	DOCUMENT NO. SD-47468-801				
DRAFT WHERE APPLICABLE MUST REMAIN WITHIN DIMENSIONS		ANGULAR ± 2 °		SIZE A3	THIS DRAWING CONTAINS INFORMATION THAT IS PROPRIETARY TO MOLEX INCORPORATED AND SHOULD NOT BE USED WITHOUT WRITTEN PERMISSION					
REV		DESCRIPTION		MATERIAL NO.		DOCUMENT NO.		SHEET NO.		
A				474688001		SD-47468-801		1 OF 1		