

4

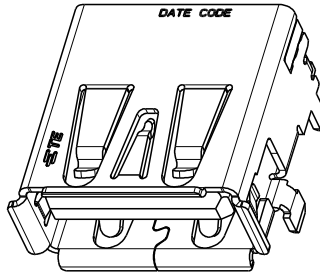
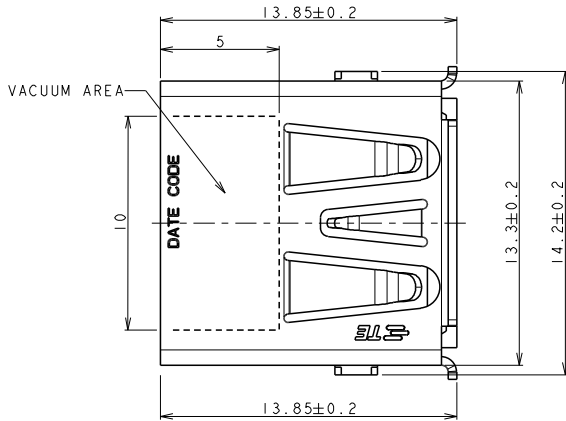
3

2

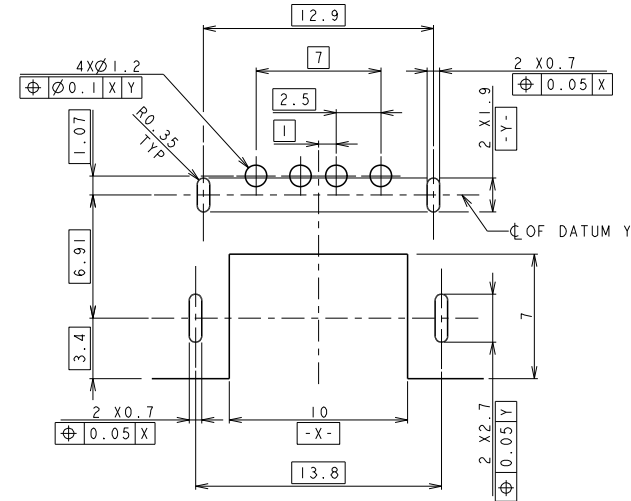
1

THIS DRAWING IS UNPUBLISHED. RELEASED FOR PUBLICATION 20  
 © COPYRIGHT 20 BY - ALL RIGHTS RESERVED.

LOC		DIST		REVISIONS			
P	LTR	DESCRIPTION	DATE	DWN	APVD		
	A	RELEASED	06APR2012	J.H	S.Y		



3D VIEW  
ONLY FOR REFERENCE

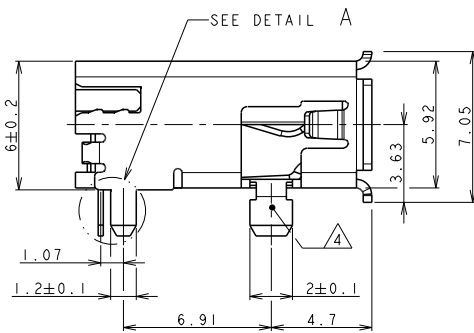


RECOMMENDED PCB LAYOUT  
(THICKNESS=1.2mm, TOLERANCE=±0.05)

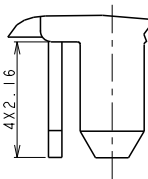
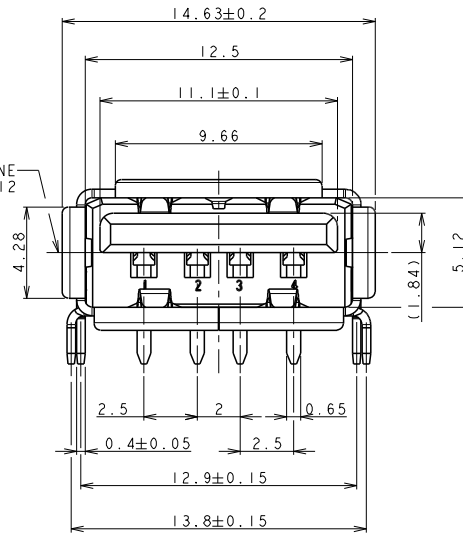
NOTES:

- △ MATERIALS:
  - HOUSING: NYLON, LOW HALOGEN; COLOR: BLACK
  - CONTACTS: COPPER ALLOY
  - SHIELD: CARBON STEEL (T=0.40mm)
- △ FINISH:
  - CONTACT: 0.13µm MIN GOLD PLATING AND POROSITY SEALING TREATMENT ON CONTACT AREA
  - 3.8µm MIN MATTE TIN ON SOLDER TAILS
  - 1.27µm MIN NICKEL UNDER PLATING
  - SHIELD: 3µm MIN MATTE TIN ALL OVER 1.0µm MIN NICKEL
  - INCLUDES FRACTURE SURFACE (EDGE)

1932854-1  
PART NUMBER



CENTER LINE  
OF 5.12



DETAIL A  
SCALE 15:1

THIS DRAWING IS A CONTROLLED DOCUMENT.		DWN ADAMS LV 21APR2011	TE Connectivity	
DIMENSIONS: mm		CHW MARTIN LI 21APR2011		
TOLERANCES UNLESS OTHERWISE SPECIFIED:		APVD STEVEN YAO 21APR2011	NAME	
0 PLC ±		PRODUCT SPEC	RECEPTACLE ASSEMBLY RIGHT ANGLE	
1 PLC ±0.20		108-60034	SMT USB 2.0	
2 PLC ±0.20		APPLICATION SPEC	SIZE	CAGE CODE DRAWING NO
3 PLC ±			A200779	©=1932854
4 PLC ±			RESTRICTED TO	
ANGLES			SCALE	SHEET
FINISH			6:1	1 OF 2
MATERIAL		WEIGHT	CUSTOMER DRAWING	REV A

4

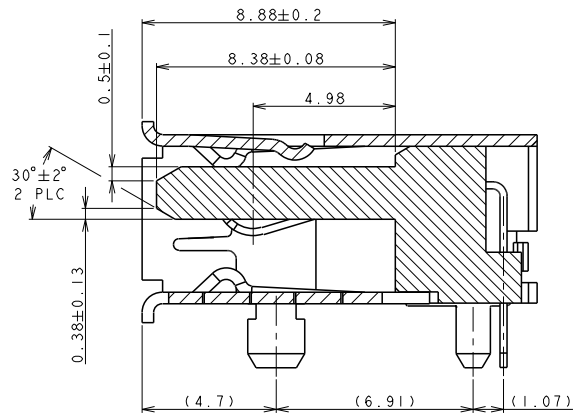
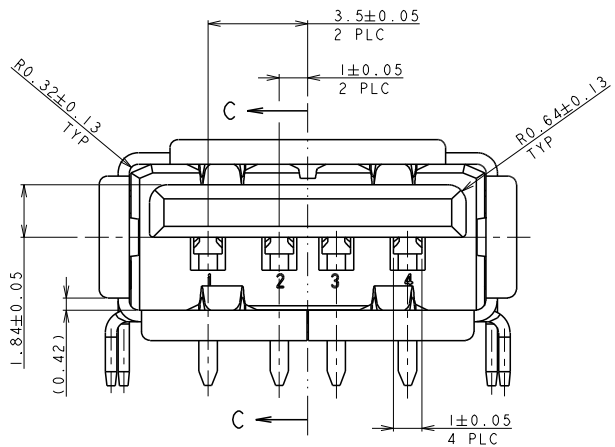
3

2

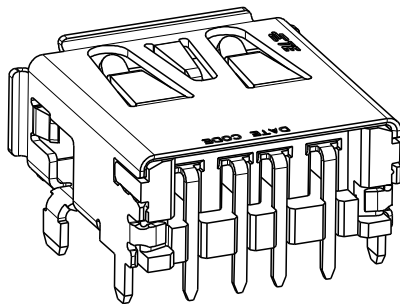
1

THIS DRAWING IS UNPUBLISHED. RELEASED FOR PUBLICATION 20  
 © COPYRIGHT 20 BY - ALL RIGHTS RESERVED.


LOC	DIST	REVISIONS					
ES	00	P	LTR	DESCRIPTION	DATE	DWN	APVD
		-		SEE SHEET 1	-	-	-



SECTION C-C



3D VIEW ONLY FOR REFERENCE

THIS DRAWING IS A CONTROLLED DOCUMENT.		DWN ADAMS LV 21APR2011	 TE Connectivity
		CHK MARTIN LI 21APR2011	
DIMENSIONS: mm		APVD STEVEN YAO 21APR2011	NAME
TOLERANCES UNLESS OTHERWISE SPECIFIED:		PRODUCT SPEC	RECEPTACLE ASSEMBLY RIGHT ANGLE
0 PLC ±		108-60034	SMT USB 2.0
1 PLC ±0.20		APPLICATION SPEC	SIZE CAGE CODE DRAWING NO RESTRICTED TO
2 PLC ±0.20			A200779C=1932854
3 PLC ±		WEIGHT	-
4 PLC ±		CUSTOMER DRAWING	SCALE 6:1 SHEET 2 OF 2 REV A
ANGLES FINISH ±3°			