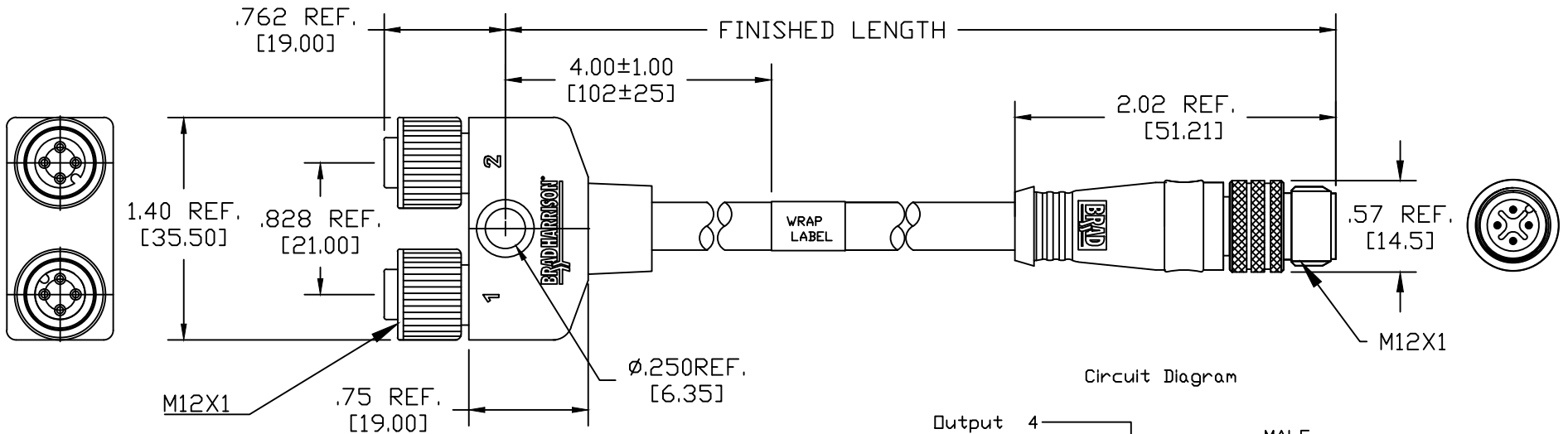


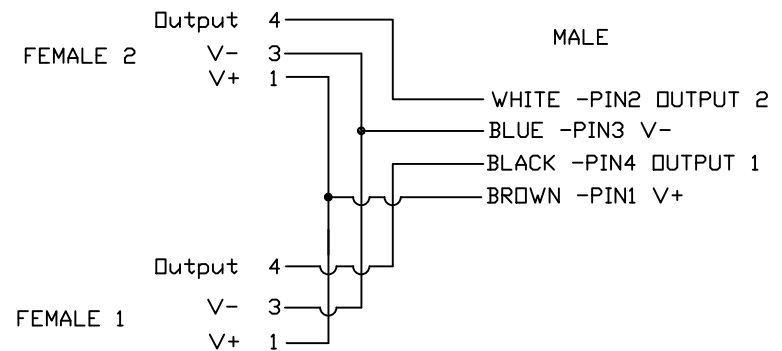
884045J11M020

Wire type
20/4C AWG Grey PVC

cable length
M020----2 Meter
M100-----10 Meter



Circuit Diagram



MECHANICAL
CONTACT: GOLD/NICKEL OVER COPPER ALLOY
INSERT : NYLON 6/6
O-RING: RED VITON
COUPLING NUT: FEMALE:-ZINC DIECAST WITH BLACK EPOXY COATED
MALE:-TEFLON COAT OVER NICKEL PLATED BRASS

MOLDED BODY: GREY PVC
CABLE: 20 AWG 4 CONDUCTORS LIGHT GRAY PVC JACKET
CABLE MARKING: KRL-45/CM KURAMD E200151-K (UL) CM
OR CL3 4C20AWG 75C AWM 2464 80C 300V VW-1...C(UL)
CM 4C20AWG 75C AWM I A/B 80C 300V FT1
1-BROWN 2-WHITE 3-BLUE 4-BLACK ** LF
WRAP LABEL: MYLAR, WHITE WITH BLACK LETTERS

ELECTRICAL
VOLTAGE RATING: 250V AC/DC
AMPERAGE: 4A

ENVIRONMENTAL
PROTECTION: IP67 PER IEC 60529
OPERATION TEMP: 0°C~80°C

CHG. MALE CPLINGNUT STYLE
EC NO: IPC2013-1143
DRWN: TWOLDEGE 2/12/13
CHKD: VOU
APPR: JFMURPHY 2013/01/24

QUALITY SYMBOLS ▽=0 ▽C=0	GENERAL TOLERANCES (UNLESS SPECIFIED)		DIMENSION STYLE INCH/MM	SCALE 1:1	DESIGN UNITS INCH	THIRD ANGLE PROJECTION
		mm	INCH	DRAWN BY DATE TWOLDEGE 2013/01/09	TITLE MICRO CHANGE SPLITTER FEMALE/FEMALE TO MALE CORSET 20/4 AWG GREY PVC	
	4 PLACES	±---	±---	CHECKED BY DATE VOU 2013/01/20	MOLEX MOLEX INCORPORATED	
	3 PLACES	±---	±.005	APPROVED BY DATE JFMURPHY 2013/01/24		
	2 PLACES	±.13	±.010	MATERIAL NO.	DOCUMENT NO. SD-120003-001	SHEET NO. 1 OF 1
	1 PLACE	±.25	±.020	THIS DRAWING CONTAINS INFORMATION THAT IS PROPRIETARY TO MOLEX INCORPORATED AND SHOULD NOT BE USED WITHOUT WRITTEN PERMISSION		
DRAFT WHERE APPLICABLE MUST REMAIN WITHIN DIMENSIONS		ANGULAR ± 5°				
SIZE A						