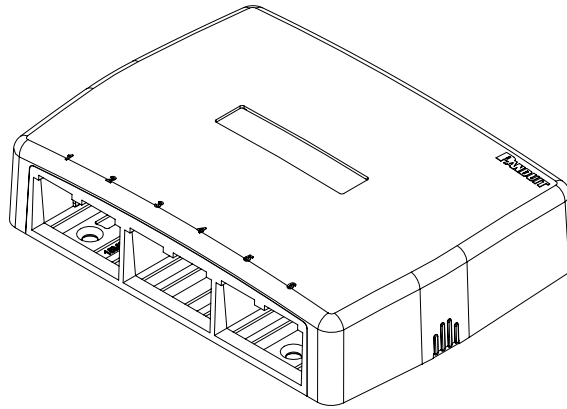
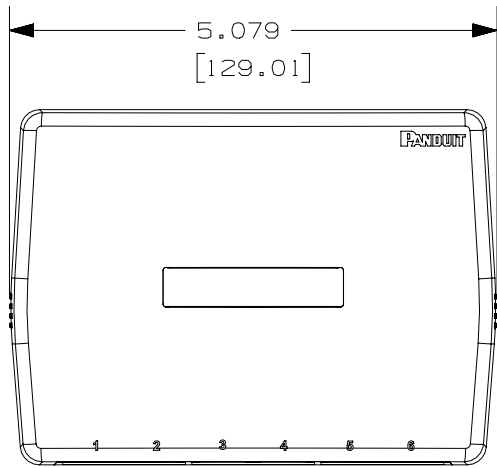


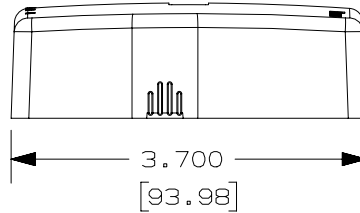
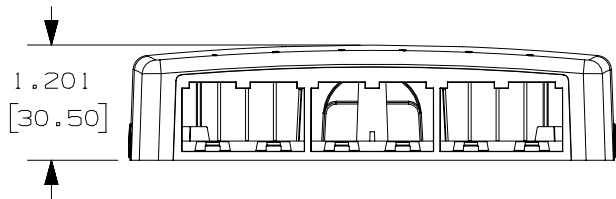
THIS COPY IS PROVIDED ON A RESTRICTED BASIS AND IS NOT TO BE USED IN ANY WAY DETRIMENTAL TO THE INTERESTS OF PANDUIT CORP.




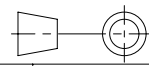
| PANDUIT P/N | WEIGHT                           |
|-------------|----------------------------------|
| CBXQ6**-A   | 1.27 LB/10 PCS<br>574.5 g/10 PCS |

NOTES:

1. SEE CURRENT CATALOG FOR ADDITIONAL PART NUMBER SUFFIXES TO INDICATE COLOR AND/OR PACKAGE QUANTITY.
2. SEE CATALOG FOR A COMPLETE LIST OF PARTS APPLICABLE FOR USE WITH THIS PART.
3. DIMENSIONS IN PARENTHESES ARE IN METRIC.
4. BREAKOUTS DESIGNED TO ACCEPT LD5/LDPH5 and LD10/LDPH10 RACEWAY.
5. INCLUDED WITH BOX KIT:
  - a. (1) BOX COVER
  - b. (1) BOX BASE
  - c. (2) PLT1M PAN-TY
  - d. (1) LABEL AND LABEL COVER
  - e. (1) SCREW (USED TO SECURE COVER TO BASE)
  - f. (2) STRIP OF 3.00" X .75" FOAM TAPE FOR MOUNTING



NO WARRANTY, EXPRESSED OR IMPLIED, IS MADE BY PANDUIT WITH RESPECT TO ADHESIVE BOND PERFORMANCE. AMONG OTHER THINGS, THE CONDITIONS UNDER WHICH THESE MOUNTS MAY BE APPLIED AND/OR THE SURFACE TO WHICH THEY MAY BE APPLIED ARE BEYOND PANDUIT'S CONTROL

|                                                                                                              |         |                                                                                       |       |
|--------------------------------------------------------------------------------------------------------------|---------|---------------------------------------------------------------------------------------|-------|
| PART NUMBER                                                                                                  |         | SEE TABLE                                                                             |       |
| TITLE                                                                                                        |         |                                                                                       |       |
| MINI-COM 6 PORT BOX w/ QUICK RELEASE COVER                                                                   |         |                                                                                       |       |
| CUSTOMER DRAWING                                                                                             |         |                                                                                       |       |
| ITEM REVISION NAME                                                                                           |         | 15M583CY/05                                                                           |       |
| DATASET FILE NAME                                                                                            |         | 15M583CY_DC06/05A                                                                     |       |
| UNLESS OTHERWISE SPECIFIED, DIMENSIONAL TOLERANCES ARE: IN (mm)                                              |         |  |       |
| .X ±<br>.XX ±                                                                                                |         |                                                                                       |       |
| .XXX ±<br>ANGLES ±                                                                                           |         | MATERIAL:                                                                             |       |
|  THIRD ANGLE PROJECTION |         | DRAWING NUMBER:                                                                       |       |
|                                                                                                              |         | 15M583CY-06                                                                           |       |
| DRAWN BY                                                                                                     | DATE    | CHK                                                                                   | SCALE |
| TWV                                                                                                          | 7-19-16 | JCO                                                                                   | NONE  |
| SHT 1 OF 2                                                                                                   |         |                                                                                       | SIZE  |
|                                                                                                              |         |                                                                                       | A     |

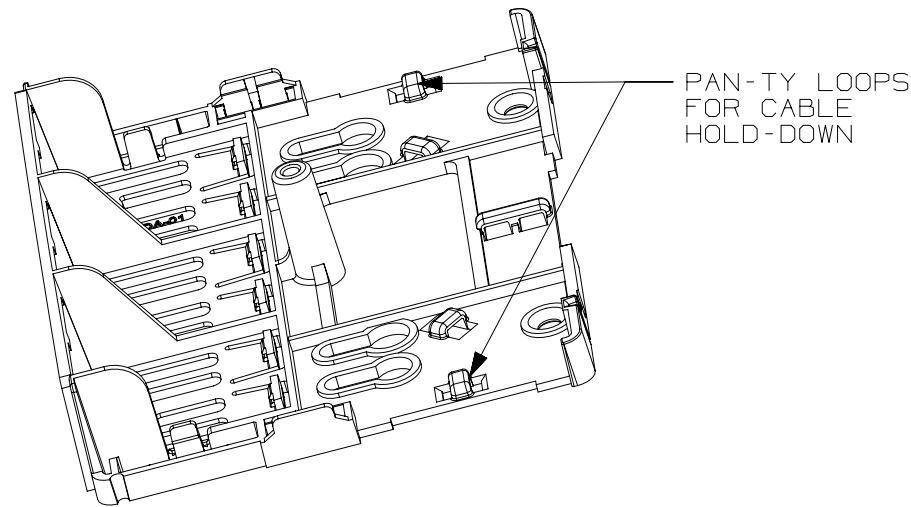
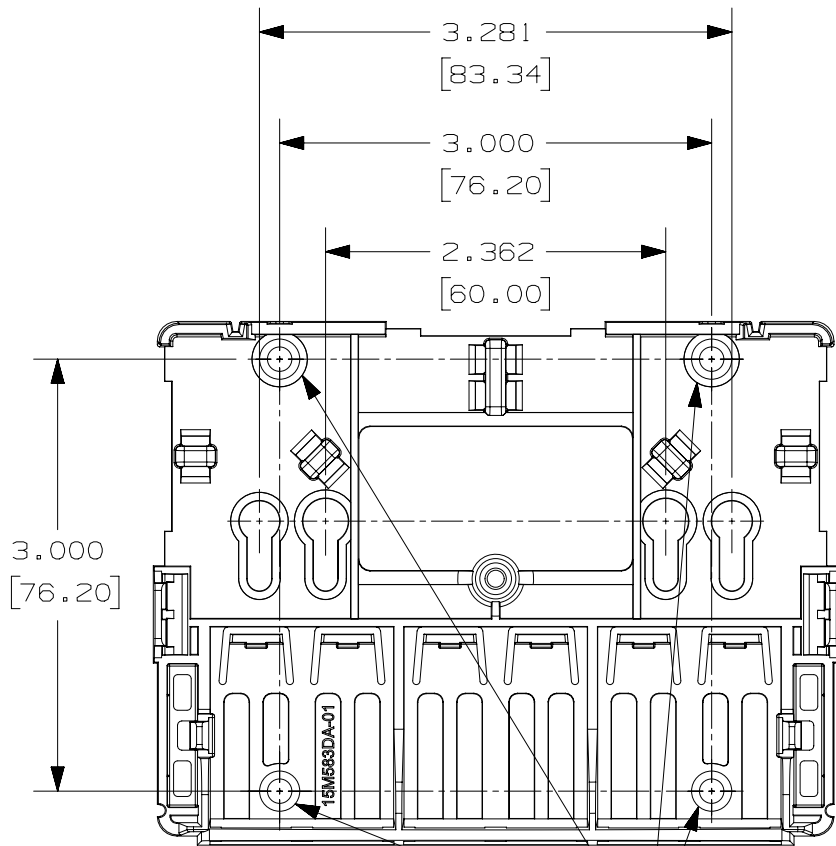
| REV | DATE    | BY  | CHK | APR | DESCRIPTION            | ECN         |
|-----|---------|-----|-----|-----|------------------------|-------------|
| R   | 7-19-16 | TWV | JCO | MMR | RELEASED TO PRODUCTION | 15M583CY-06 |

D10100DA/14

2


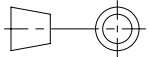
1

THIS COPY IS PROVIDED ON A RESTRICTED BASIS AND IS NOT TO BE USED IN ANY WAY DETRIMENTAL TO THE INTERESTS OF PANDUIT CORP.



MOUNTING HOLES FOR #6 COUNTERSUNK SCREW (NOT INCLUDED)

PAN-TY LOOPS FOR CABLE HOLD-DOWN

|                                                                                                                 |         |                   |                                |                                                                                                                     |
|-----------------------------------------------------------------------------------------------------------------|---------|-------------------|--------------------------------|---------------------------------------------------------------------------------------------------------------------|
| PART NUMBER                                                                                                     |         | SEE TABLE         |                                |                                                                                                                     |
| TITLE                                                                                                           |         |                   |                                |                                                                                                                     |
| MINI-COM 6 PORT BOX w/ QUICK RELEASE COVER                                                                      |         |                   |                                |                                                                                                                     |
| CUSTOMER DRAWING                                                                                                |         |                   |                                |                                                                                                                     |
| ITEM REVISION NAME                                                                                              |         | 15M583CY/05       |                                |                                                                                                                     |
| DATASET FILE NAME                                                                                               |         | 15M583CY_DC06/05A |                                |                                                                                                                     |
| UNLESS OTHERWISE SPECIFIED, DIMENSIONAL TOLERANCES ARE: IN (mm)                                                 |         |                   |                                | <br>MATERIAL:<br><br>SEE NOTES |
| .X ±                                                                                                            |         | .XXX ±            |                                |                                                                                                                     |
| .XX ±                                                                                                           |         | ANGLES ±          |                                |                                                                                                                     |
| <br>THIRD ANGLE PROJECTION |         |                   | DRAWING NUMBER:<br>15M583CY-06 |                                                                                                                     |
| DRAWN BY                                                                                                        | DATE    | CHK               | SCALE                          | SIZE                                                                                                                |
| TWV                                                                                                             | 7-19-16 | JCO               | NONE                           | A                                                                                                                   |

|     |         |     |     |     |                                  |             |
|-----|---------|-----|-----|-----|----------------------------------|-------------|
| REV | DATE    | BY  | CHK | APR | DESCRIPTION                      | ECN         |
| R   | 7-19-16 | TWV | JCO | MMR | SEE SHEET 1 FOR REVISION HISTORY | 15M583CY-06 |

2

1

D101000DA/14