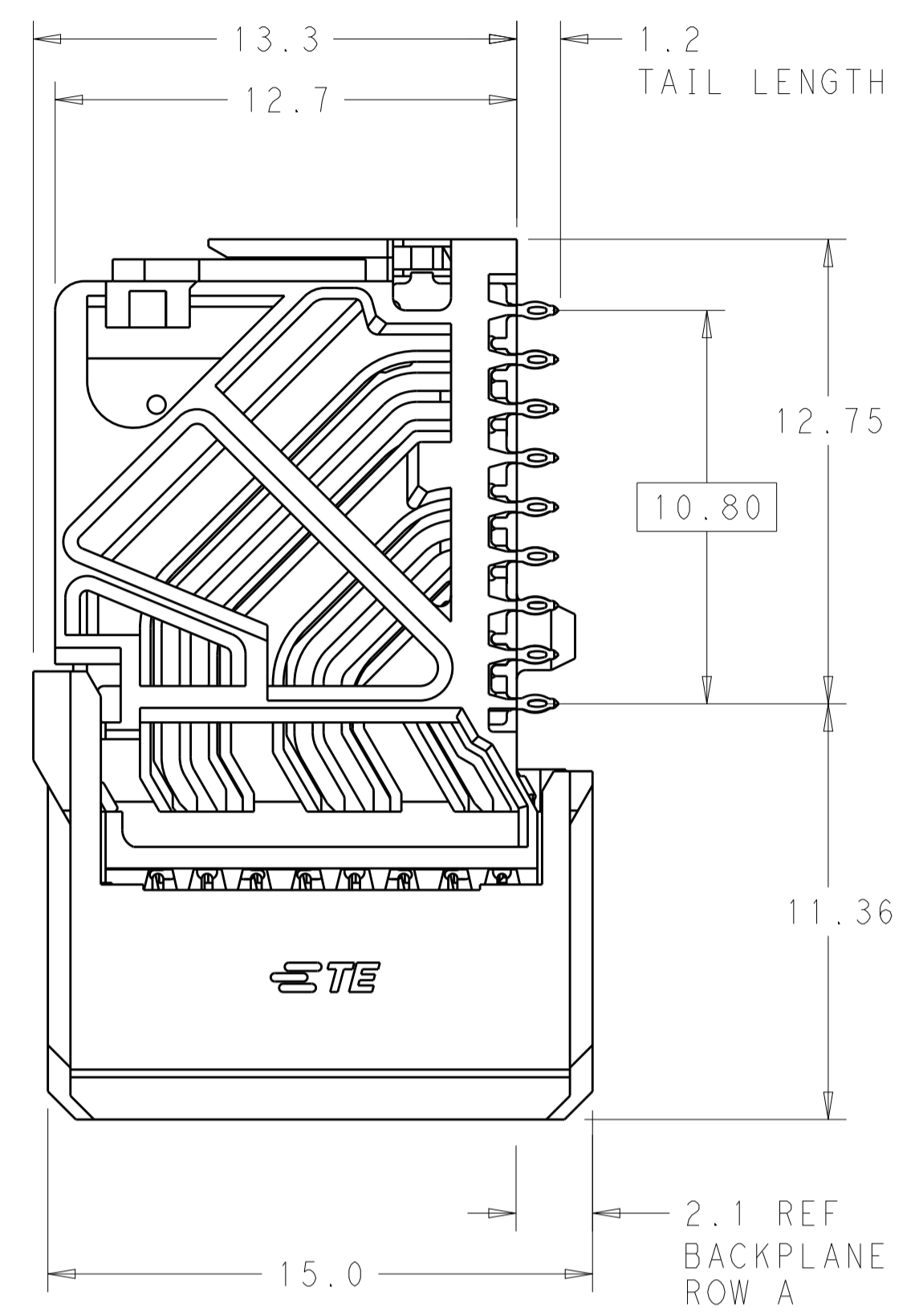
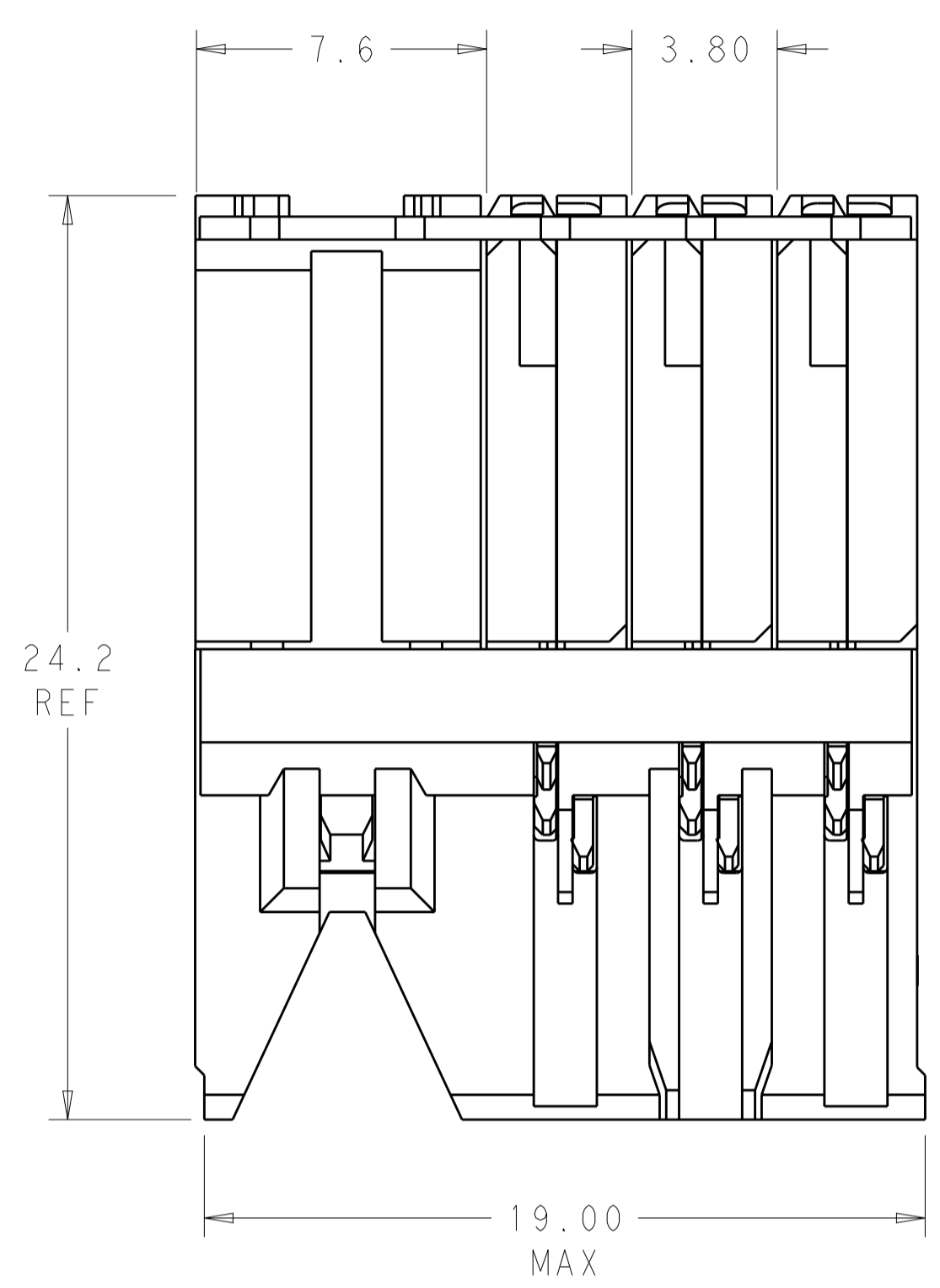
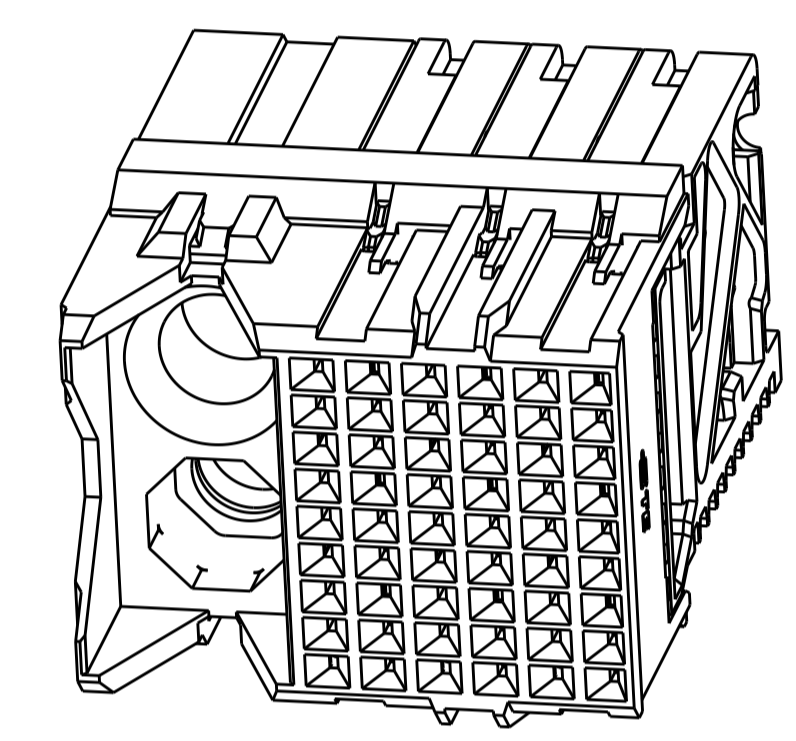


LOC		DIST		REVISIONS			
AD	00	P	LTN	DESCRIPTION	DATE	DWN	APVD
		A1		REVISED PER ECO-15-003242	23MAR2015	AP	DD

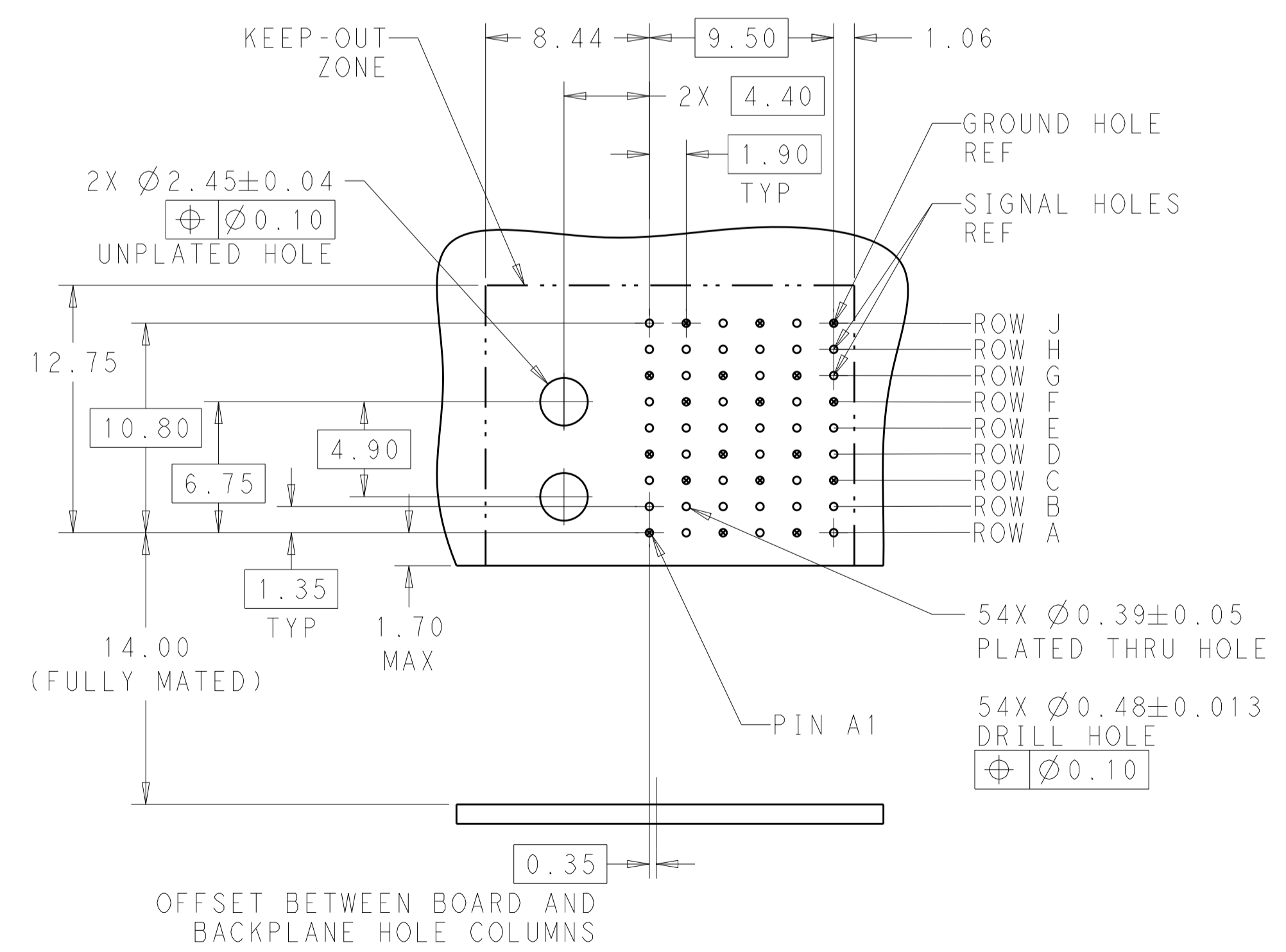
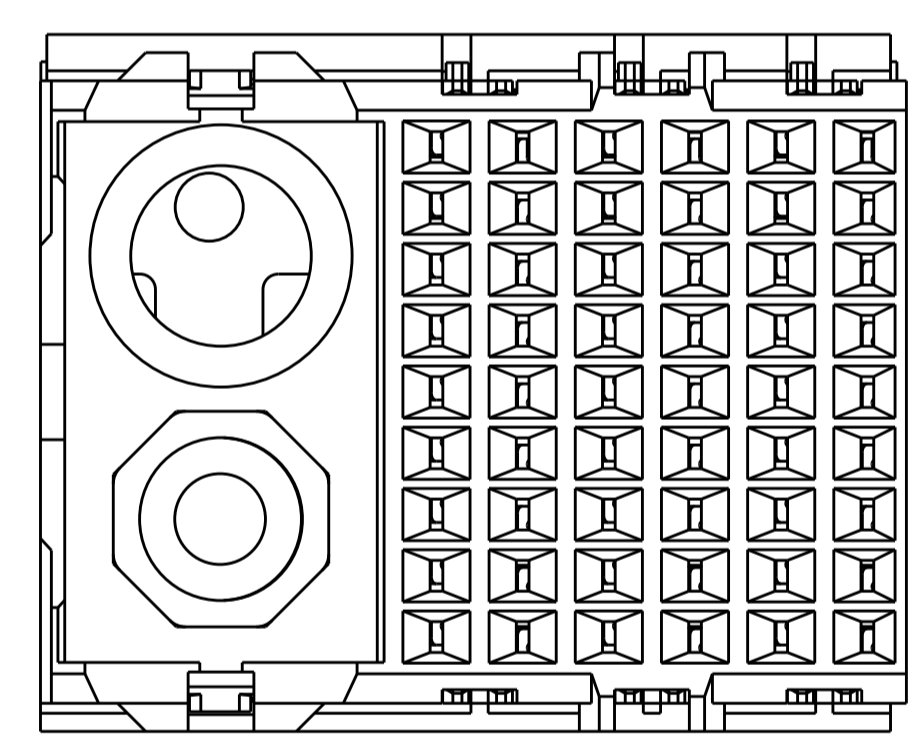


⚠ MATERIAL:
 HOUSING: LCP, GLASS FILLED, UL94V-0.
 TERMINALS: HIGH PERFORMANCE COPPER ALLOY.

⚠ FINISH:
 30μ" SELECTIVE GOLD IN CONTACT AREA. SELECTIVE TIN ON PCB TAILS, NICKEL OVERALL.



SCALE 4:1



KEY POSITION CHART	
	NONE

KEY POSITION	FINISH	PART NUMBER
H	⚠	8-2132498-1
G	⚠	7-2132498-1
F	⚠	6-2132498-1
E	⚠	5-2132498-1
D	⚠	4-2132498-1
C	⚠	3-2132498-1
B	⚠	2-2132498-1
A	⚠	1-2132498-1
NONE	⚠	2132498-1

THIS DRAWING IS A CONTROLLED DOCUMENT. DWN Z. MILLER 23SEP2010
 CHK D. DIXON 23SEP2010
 APVD D. DIXON 23SEP2010

TE Connectivity

NAME: IMPACT, 3 PAIR, DAUGHTERCARD 6 COLUMN, LEFT GUIDED, SIGNAL MODULE, 0.39 EYELET

SIZE: A1 CAGE CODE: 2132498 DRAWING NO: 100779

SCALE: 6:1 SHEET: 1 OF 1 REV: A1