

# IRA-S500ST01A01

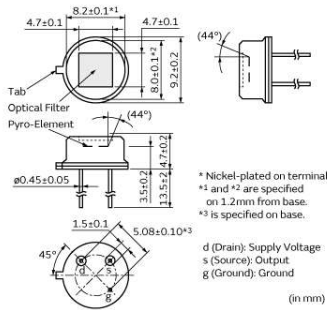
In Production

Recommended

RoHS

REACH

## Appearance & Shape



## Features

- Excellent Sensitivity & S/N ratio (Signal/Noise)
- Excellent Quality
- Excellent EMC

## Applications

Other Usage	Not available for Automotive usage.
-------------	-------------------------------------


## Packaging Information

Packaging	Specifications	Standard Packing Quantity
-	Box	100

### Attention

- This datasheet is downloaded from the website of Murata Manufacturing Co., Ltd. Therefore, its specifications are subject to change or our products in it may be discontinued without advance notice. Please check with our sales representatives or product engineers before ordering.
- This datasheet has only typical specifications because there is no space for detailed specifications. Therefore, please review our product specifications or consult the approval sheet for product specifications before ordering.

# IRA-S500ST01A01



## Specifications

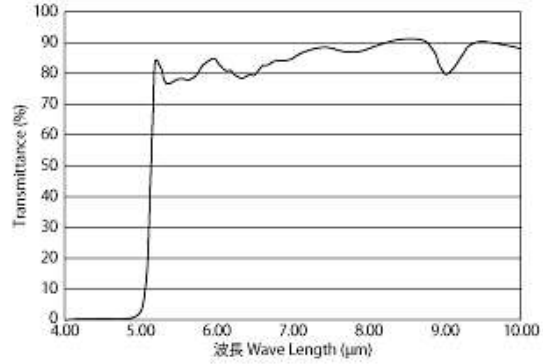
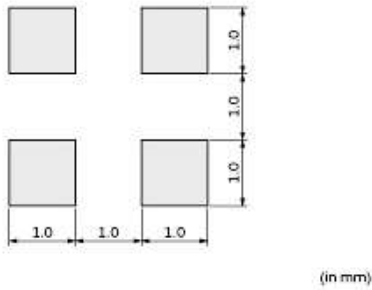
Operating Temperature Range	-40°C to 70°C
Shape	Lead
Field of View	theta1=theta2=44deg.
Electrode	(1.0x1.0mm)x4
Responsivity(typ.)	3.3mV
Optical Filter	5micro meter Long Pass
Supply Voltage Range	2V to 15V
Storage Temperature Range	-40°C to 85°C

### Attention

- 1.This datasheet is downloaded from the website of Murata Manufacturing Co., Ltd. Therefore, it's specifications are subject to change or our products in it may be discontinued without advance notice. Please check with our sales representatives or product engineers before ordering.
- 2.This datasheet has only typical specifications because there is no space for detailed specifications. Therefore, please review our product specifications or consult the approval sheet for product specifications before ordering.

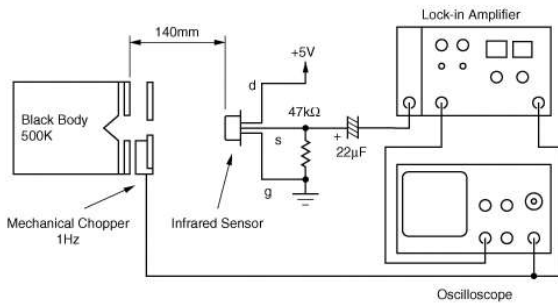
# IRA-S500ST01A01

## Product Data



Pyroelectric Element

Filter characteristics



Test circuit

**Attention**

1. This datasheet is downloaded from the website of Murata Manufacturing Co., Ltd. Therefore, its specifications are subject to change or our products in it may be discontinued without advance notice. Please check with our sales representatives or product engineers before ordering.
2. This datasheet has only typical specifications because there is no space for detailed specifications. Therefore, please review our product specifications or consult the approval sheet for product specifications before ordering.