

5

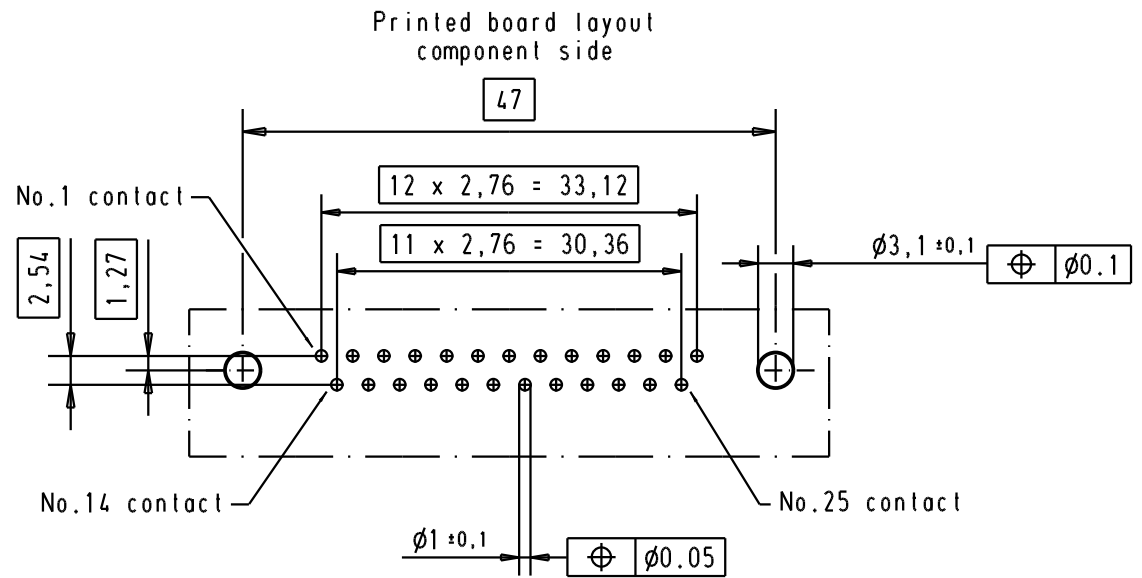
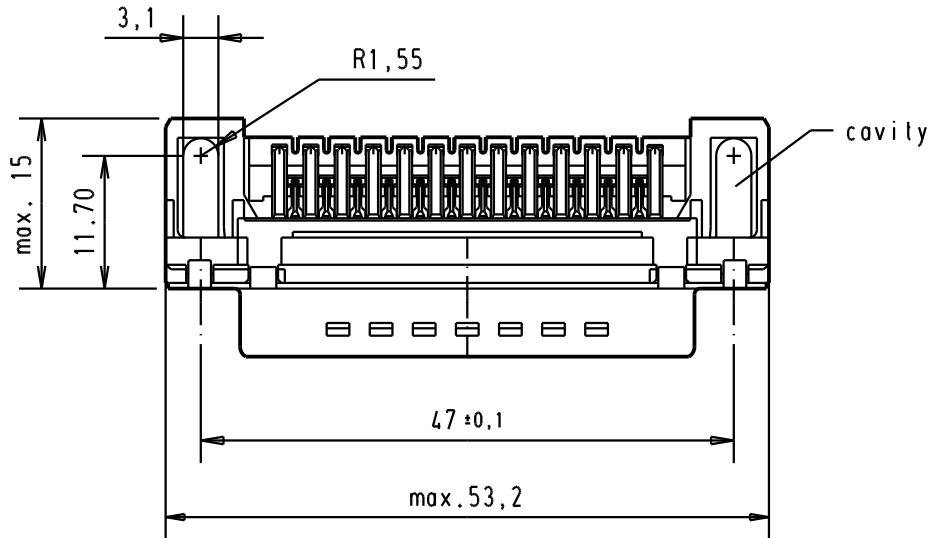
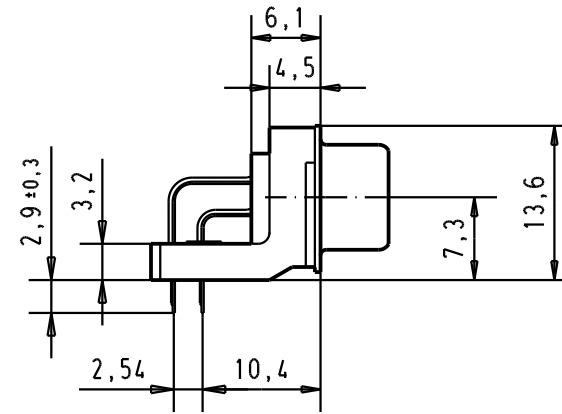
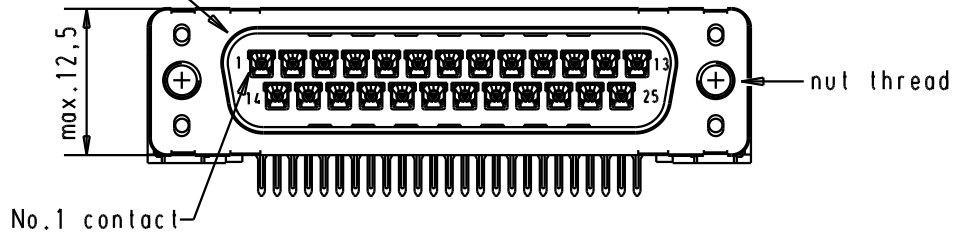
4

3

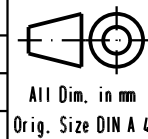
2

1

Mating face according to : MIL-C-24308 / DIN 41652 / CECC 75301-802



Part number	Nut thread	Performance level	Mod.	Dat.	Name	Dat.	Name
09 65 322 3801	M3	1					
09 65 322 6801	M3	2				Detail.	13/dec/00 ALSPACE
09 65 322 7801	M3	3	31892	22/04/04	JH	Insp.	
09 65 322 3802	4-40 UNC	1	29773	18-APR-02	CV	Stand.	
09 65 322 6802	4-40 UNC	2	29689	02/07/01	AA		
09 65 322 7802	4-40 UNC	3	27960	13/dec/00	ALSPACE		
						HARTING EURL F-95972 Paris	



D-Sub, male, standard angle,
25 poles, with solder pin,
nut and hole

Moßstab/
Scale
1.5:1



TB 0965322x80x

Blatt/ Page
2

Sub.