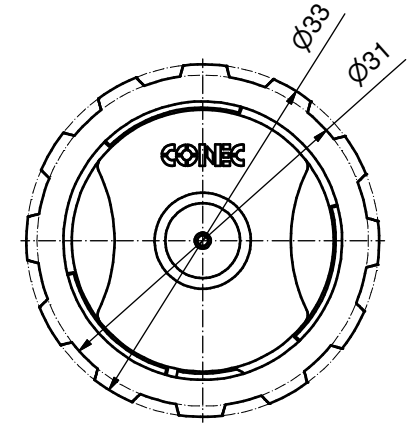
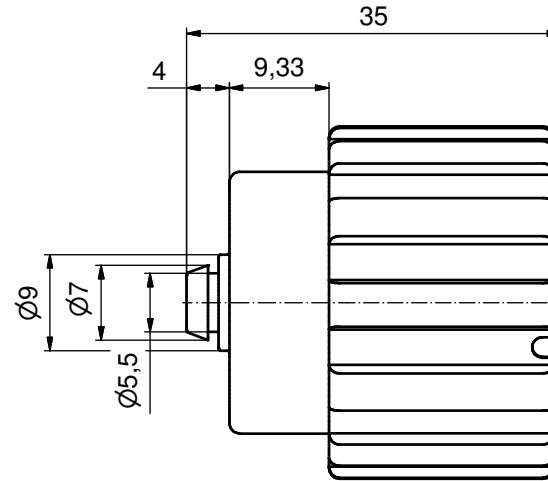
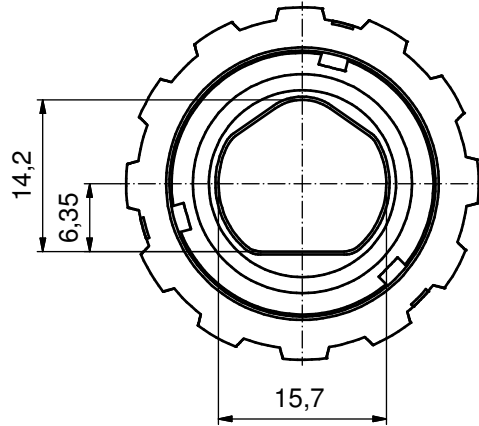
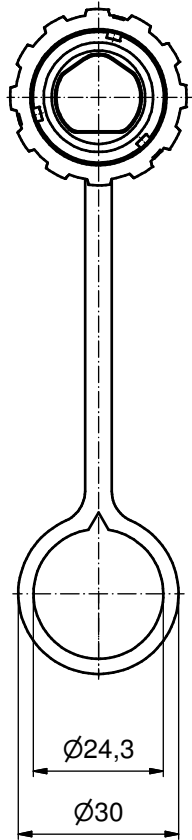
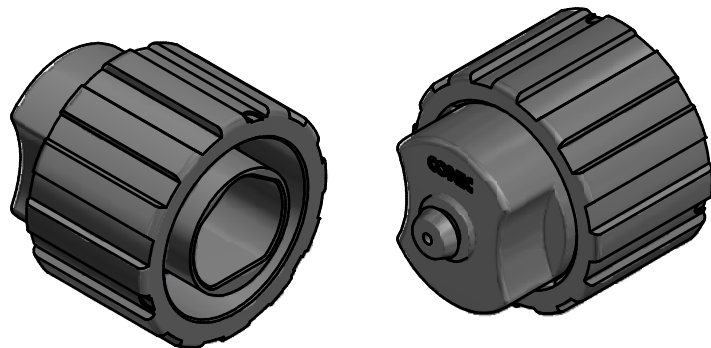


VIEWS WITHOUT TETHER



NOTES:

- MATERIAL AND FINISH:
  - COUPLER RING: PA GF (BLACK); UL94 V-0; UL (f1) RATED
  - COVER HOUSING: PA GF (BLACK); UL94 V-0; UL (f1) RATED
  - TETHER: PE-SW (BLACK),
  - INTERFACIAL SEAL: SILICONE; COLOR: WHITE
  - RETAINING RING: STAINLESS STEEL
- OPERATING TEMPERATURE: -40°C to +85°C
- IP67 RATED WHEN COVERED OR FULLY MATED WITH THE APPROPRIATE MATING CONNECTOR



RoHS compliant

THIS DRAWING MAY NOT BE COPIED OR REPRODUCED IN ANY WAY, AND MAY NOT BE PASSED ON TO A THIRD PARTY WITHOUT WRITTEN PERMISSION. OWNERSHIP AND COPYRIGHT OF CONEC GmbH DO NOT ALTER CAD DRAWING BY HAND				tolerance	dim. in mm	scale: 2:1 (1:1)	
				date		name	material: see notes
				drawn	20.04.15	Henneboel	title: (b) Protective Cover for IP67 Duplex Power 3pos Female Receptacle Assembly
				appd.	20.04.15	Koch	
				norm			
			d-old			dwg no:	
1 x b	Ä6182	06.06.2016	K.H.			17K1A463	DIN-A3
a	Original					sh: 1	
rev.	description	date	name			part no: 17-400400	