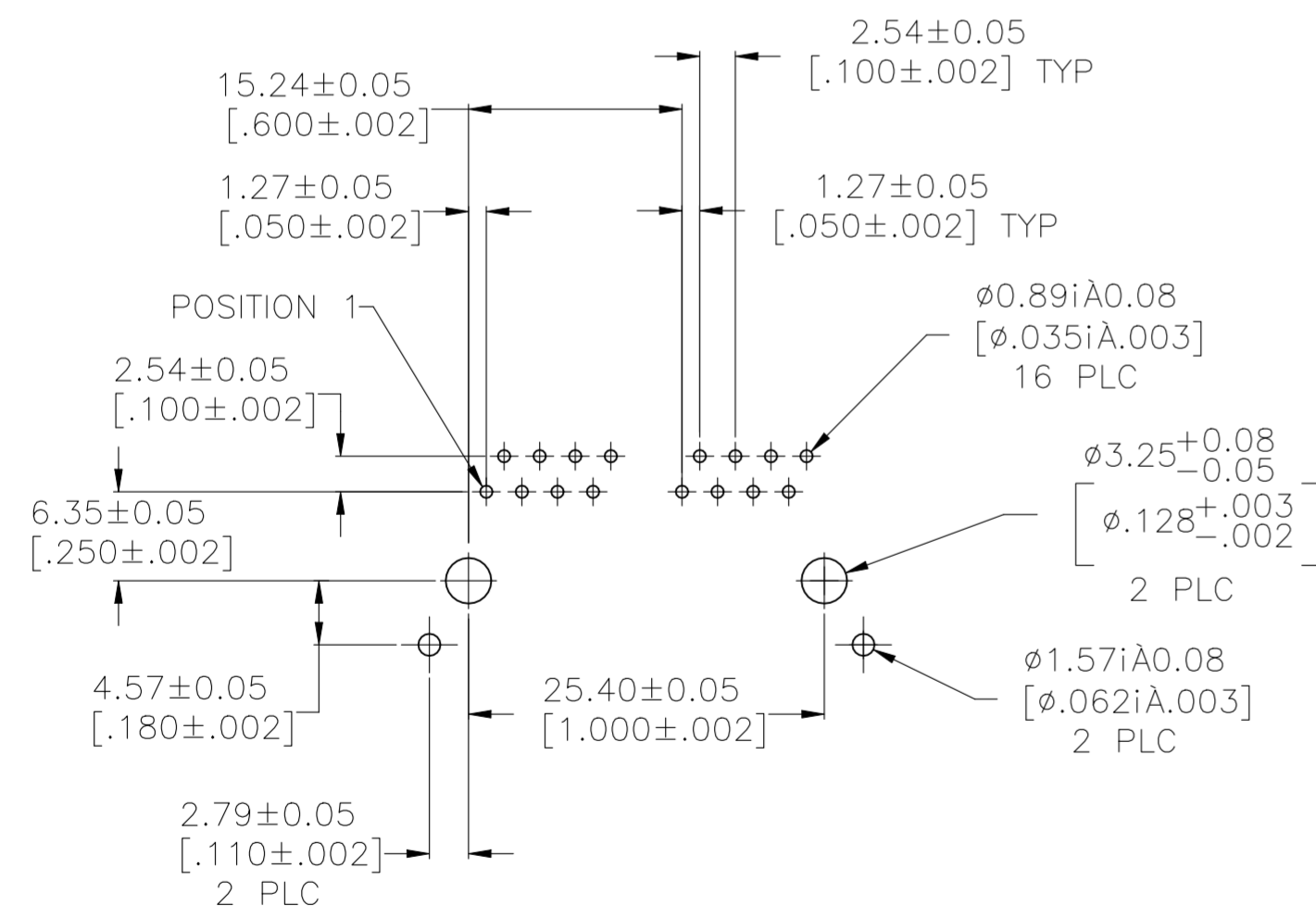
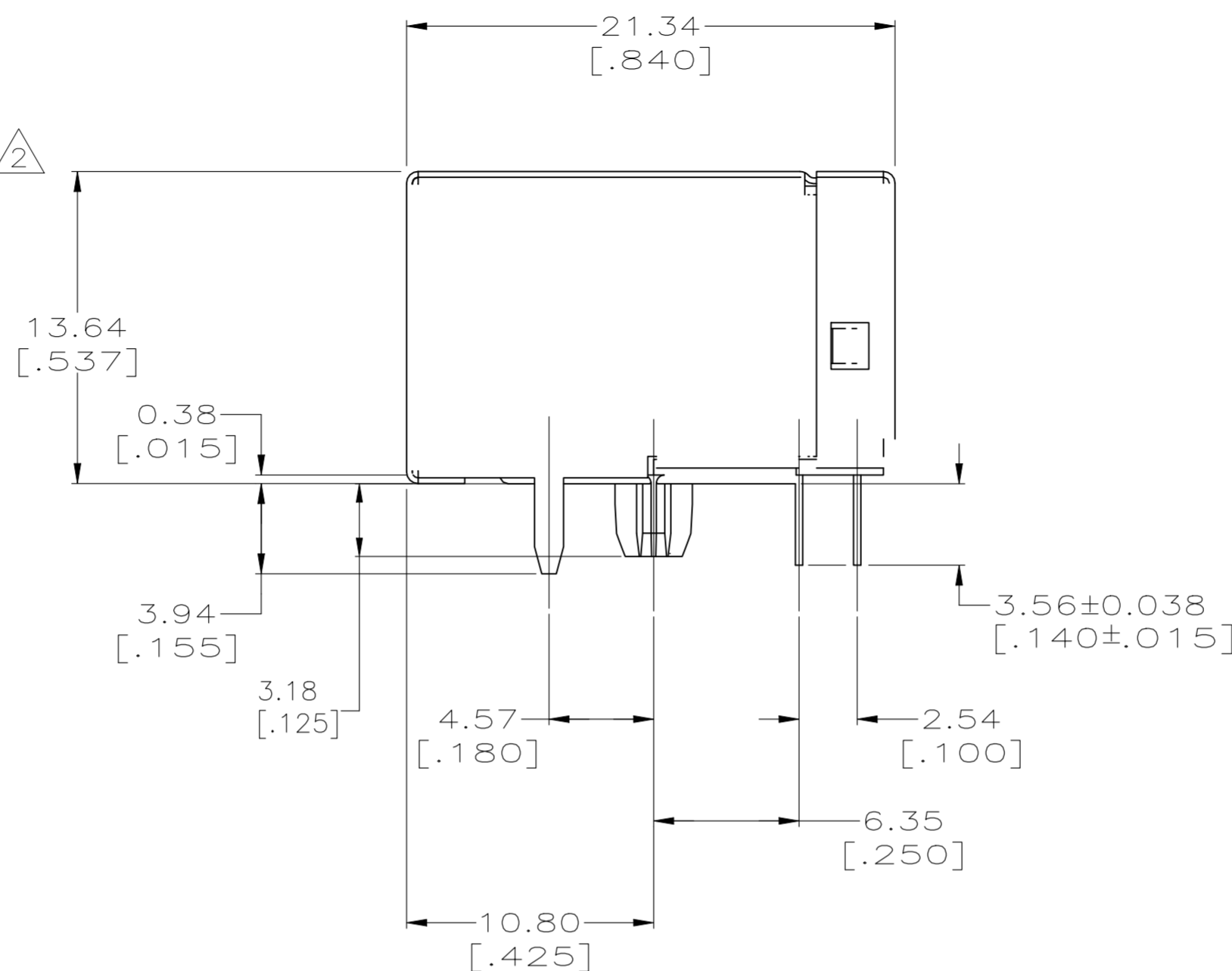
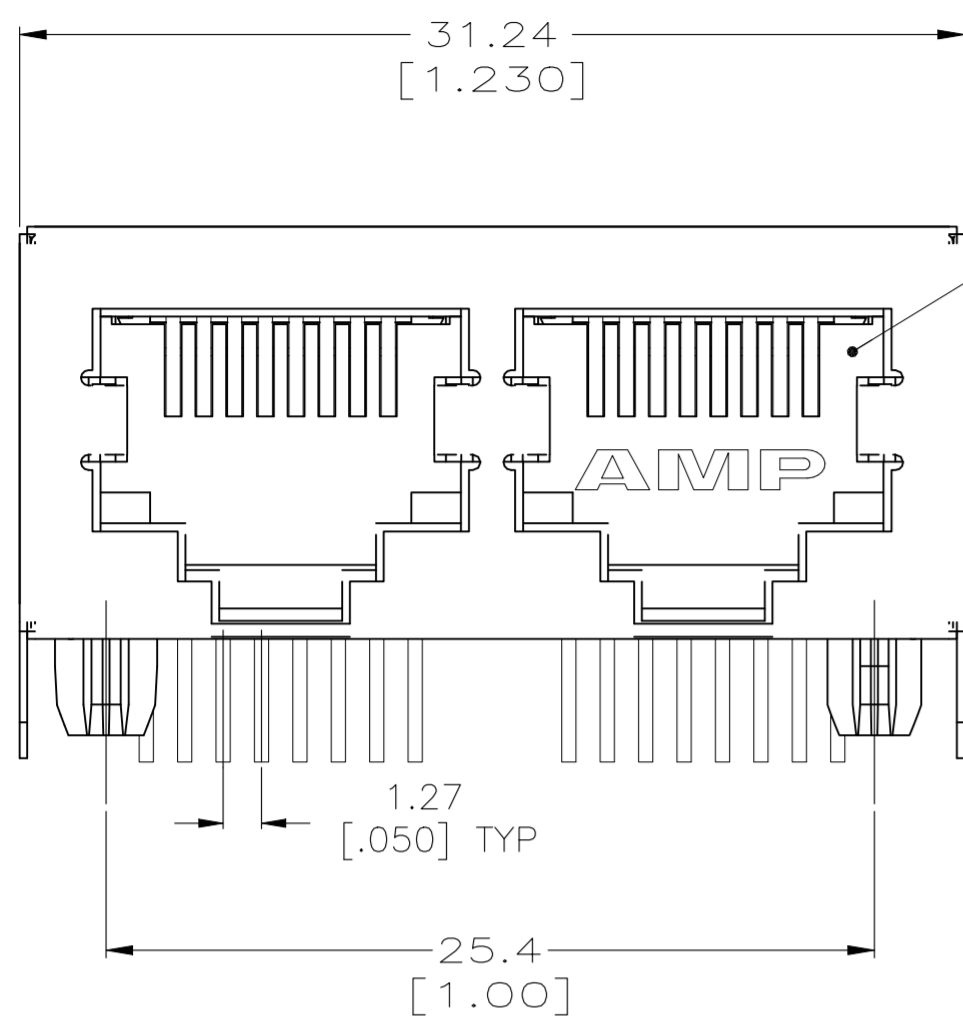


REVISIONS					
P	LTR	DESCRIPTION	DATE	DWN	APVD
	D2	ECR-19-014657	13DEC2020	RR	SZ



RECOMMENDED PC BOARD LAYOUT
COMPONENT SIDE
SEE APPLICATION SPECIFICATION

- ⚠ MATERIAL:
HOUSING - NYLON, COLOR: BLACK, UL 94V-0.
OVERMOLDED TERMINAL ARRAY - PBT, BROWN.
TERMINAL - 0.33[.013] THICK PHOS-BRONZE PLATED WITH 1.27 μ m[.000050] THICK HARD GOLD IN LOCALIZED GOLD PLATE AREA AND 3.81 μ m[.000150] THICK MATTE TIN IN SOLDER AREA OVER 1.27 μ m[.000050] THICK NICKEL UNDERPLATE.
SHIELDS - 0.25 [.010] THICK COPPER ALLOY PLATED WITH 1.27 μ m [.000050] MINIMUM NICKEL AND 2.03 μ m [.000080] MINIMUM HOT TIN DIP ON PCB GROUND TABS.
- ⚠ JACK CAVITY CONFORMS TO FCC RULES AND REGULATIONS PART 68, SUBPART F.
- ⚠ MATERIAL:
HOUSING - NYLON, COLOR: BLACK, UL 94V-0.
OVERMOLDED TERMINAL ARRAY - HTN.
TERMINAL - 0.33[.013] THICK PHOS-BRONZE PLATED WITH 1.27 μ m[.000050] THICK HARD GOLD IN LOCALIZED GOLD PLATE AREA AND 3.81 μ m [.000080] MINIMUM HOT TIN DIP IN SOLDER AREA OVER 1.27 μ m [.000050] THICK NICKEL UNDERPLATE.
SHIELDS - 0.25 [.010] THICK COPPER ALLOY PLATED WITH 1.27 μ m [.000050] MINIMUM NICKEL AND 2.03 μ m [.000080] MINIMUM HOT TIN DIP ON PCB GROUND TABS.

⚠	5406443-2
⚠	5406443-1
MATERIAL	PART NUMBER

THIS DRAWING IS A CONTROLLED DOCUMENT.		DWN	10MAY2005	DL DRUMMOND/L.A.MAYER	
		CHK	10MAY2005	J.WESTMAN	
		APVD	10MAY2005	S.FLICKINGER	
DIMENSIONS: mm		TOLERANCES UNLESS OTHERWISE SPECIFIED:		NAME	
		0 PLC ± -		TE Connectivity	
		1 PLC ± -		MODULAR JACK ASY,	
		2 PLC ± 0.25[.01]		2 PORT,8 POSITION,CAT 5e,	
		3 PLC ± 0.13[.005]		STD PIN OUT,RIGHT ANGLE,SHIELDED	
		4 PLC ± -		SIZE	
		ANGLES ± -		CAGE CODE	
MATERIAL		FINISH		DRAWING NO	
SEE NOTE 1		SEE NOTE 1		114-2048	
		WEIGHT		RESTRICTED TO	
		0.000000		-	
		CUSTOMER DRAWING		SCALE	
				4:1	
				SHEET	
				1 of 1	
				REV	
				D2	