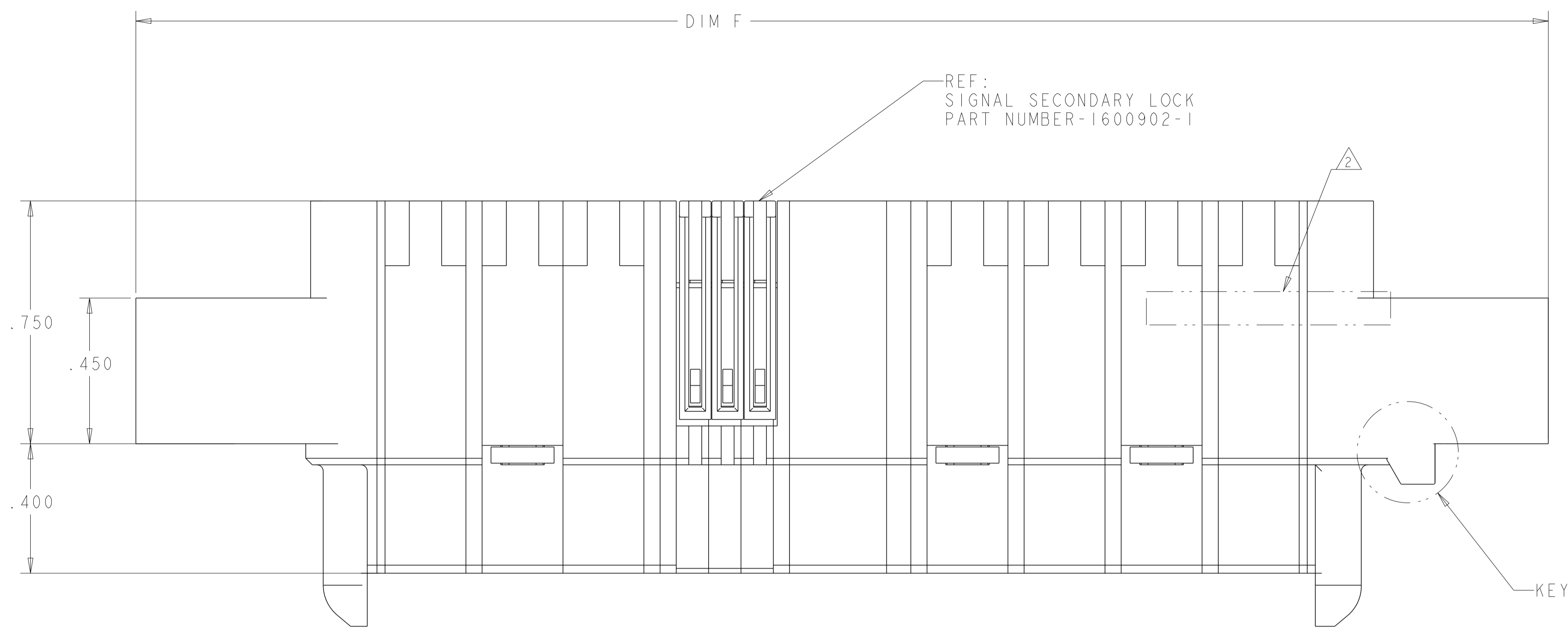
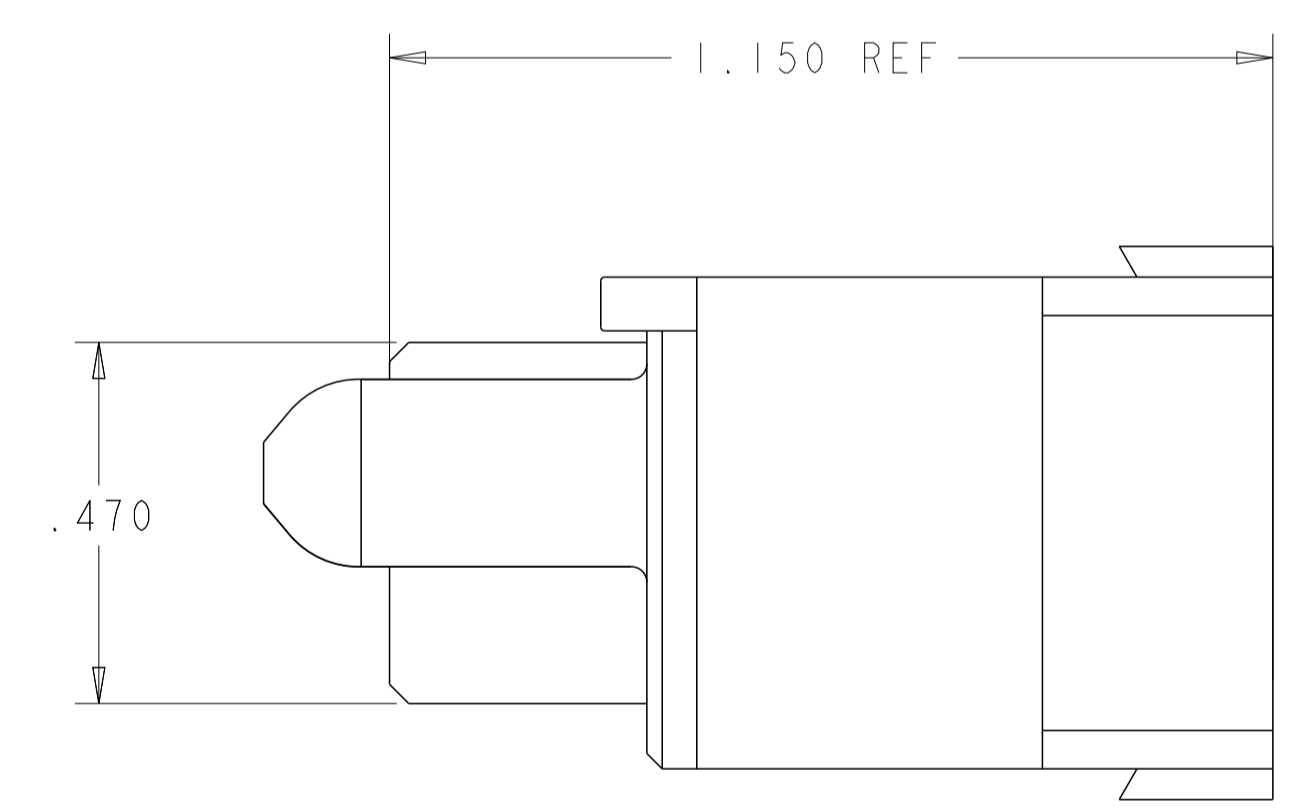
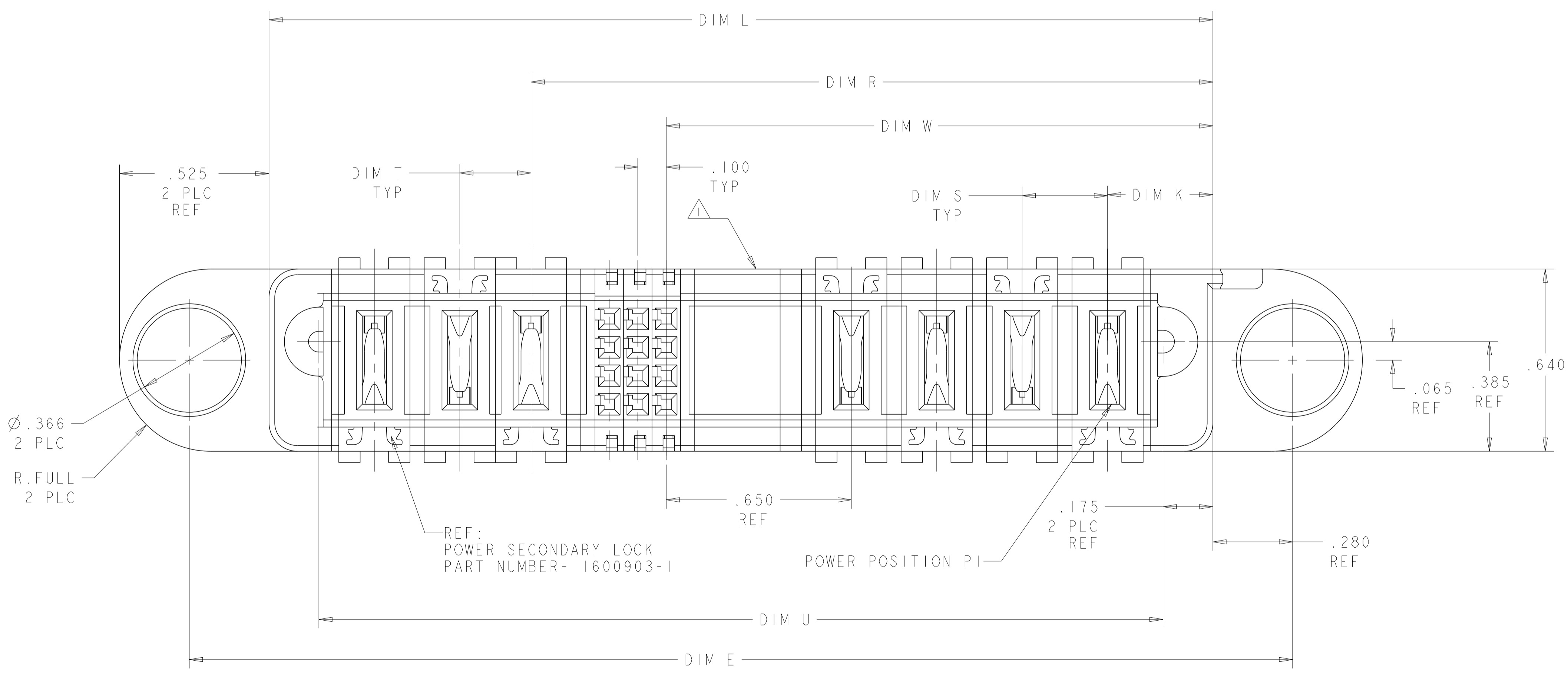


LOC		DIST		REVISIONS			
ES	00	P	LTN	DESCRIPTION	DATE	DWN	APVD
		F9		ADDED 6-2, 6-3, 6-4, 6-5, 6-6, AND 6-7	19JUN2023	DP	HW

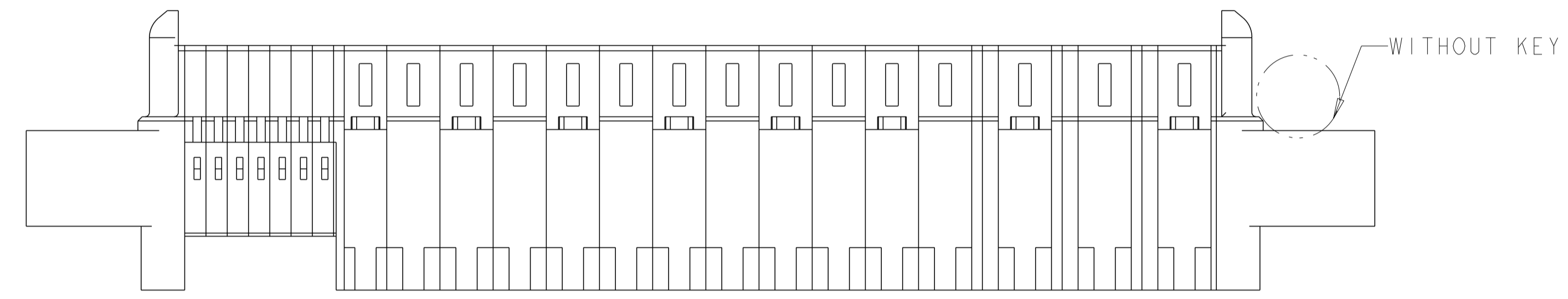


- △ OPTIONAL CENTER MODULE.
- △ COMPANY TRADEMARK, PART NUMBER, AND DATE CODE TO BE MARKED IN AREA SHOWN PARTS UNDER 2.00 LONG MAY BE MARKED ON BOTH SIDES.
- △ MATERIAL: THERMO PLASTIC, UL94 V-0.
- △ DATUM LOCATIONS AND BASIC DIMENSIONS TO BE ESTABLISHED BY THE CUSTOMER.
- △ BULKHEAD THICKNESS RANGE: .031 - .100
- △ CONNECTOR MATED TO PANEL FROM OPPOSITE SIDE.
- △ NO BURRS ALLOWED ON OPPOSITE (MATING) SIDE.
- △ CONNECTOR KEEP OUT ZONE.
- △ MOUNT CONNECTOR WITH TYCO HARDWARE KIT (1600914-7 OR 1600000-3) FOR .050 [1.27mm] MIN RADIAL FLOAT.
- △ VARIABLE DIM. PLEASE SEE TABLE OR DETAIL DIM PER PART NO.
- △ FOR THE CONFIGURATION WITH VENT HOLES, PLEASE REFER TO THE SHEET 3.
- △ FOR THE CONFIGURATION OF 3-1892903-2, PLEASE REFER TO THE SHEET 2.



THIS DRAWING IS A CONTROLLED DOCUMENT.		DWN C. ZHOU CHK S. ZHAO	09JUN2009 09JUN2009	STE TE Connectivity																									
DIMENSIONS: INCHES		TOLERANCES UNLESS OTHERWISE SPECIFIED:																											
<table border="0"> <tr><td>0 PLC</td><td>±</td></tr> <tr><td>1 PLC</td><td>±.01</td></tr> <tr><td>2 PLC</td><td>±.01</td></tr> <tr><td>3 PLC</td><td>±.005</td></tr> <tr><td>4 PLC</td><td>±.0020</td></tr> <tr><td>ANGLES</td><td>±2°</td></tr> </table>		0 PLC	±	1 PLC	±.01	2 PLC	±.01	3 PLC	±.005	4 PLC	±.0020	ANGLES	±2°	<table border="0"> <tr><td>APVD</td><td>-</td></tr> <tr><td>NAME</td><td>-</td></tr> <tr><td>PRODUCT SPEC</td><td>108-2157</td></tr> <tr><td>APPLICATION SPEC</td><td>114-13112</td></tr> <tr><td>SIZE</td><td>CAGE CODE DRAWING NO</td></tr> <tr><td>WEIGHT</td><td>-</td></tr> </table>		APVD	-	NAME	-	PRODUCT SPEC	108-2157	APPLICATION SPEC	114-13112	SIZE	CAGE CODE DRAWING NO	WEIGHT	-	PANEL MOUNT CABLE RECEPTACLE HOUSING, WITH GUIDES MULTI-BEAM XLE A100779C=1892903	
0 PLC	±																												
1 PLC	±.01																												
2 PLC	±.01																												
3 PLC	±.005																												
4 PLC	±.0020																												
ANGLES	±2°																												
APVD	-																												
NAME	-																												
PRODUCT SPEC	108-2157																												
APPLICATION SPEC	114-13112																												
SIZE	CAGE CODE DRAWING NO																												
WEIGHT	-																												
MATERIAL: △		CUSTOMER DRAWING		SCALE 1:1 SHEET 1 OF 9 REV F9																									

LOC		DIST		REVISIONS			
ES	00	P	LYR	DESCRIPTION	DATE	OWN	APVD
-	-	-	-	SEE SHEET 1	-	-	-



FOR THE CONFIGURATION WITHOUT KEY
 PART NUMBER: 3-1892903-2

1600914-7	NO	.350	2.145	1.695	.350	3.240	3.590	.395	4.640	4.150	4ACP + 10S + 4ACP	6-1892903-7	
1600914-7	NO	△	△	△	△	2.445	2.795	-	3.845	3.355	12S + 2LP + 5ACP	6-1892903-6	
1600914-7	NO	.115	1.653	.295	-	2.155	2.505	-	3.555	3.065	52S + 6LP	6-1892903-5	
1600914-7	NO	△	△	△	△	3.710	4.060	-	5.110	4.620	8S + 8LP + 8ACP	6-1892903-4	
1600914-7	NO	-	1.970	1.220	.300	1.990	2.340	.370	3.390	2.900	3ACP + 24S + 1ACP	6-1892903-3	
1600914-7	NO	.300	1.170	.920	.300	1.490	1.840	.370	2.890	2.400	2ACP + 4S + 2ACP	6-1892903-2	
1600914-7	NO	-	.895	.645	-	.940	1.290	.395	2.340	1.850	1ACP + 4S + 1ACP	6-1892903-1	
1600914-7	NO	.250	2.345	1.320	.250	3.090	3.440	.345	4.490	4.000	4P + 36S + 4P	6-1892903-0	
1600914-7	NO	-	-	3.920	△	4.640	4.990	.370	6.040	5.550	3ACP + 10P + 36S	5-1892903-7	
1600914-7	NO	.115	2.3675	1.010	.115	2.640	2.990	.2775	4.040	3.550	6LP + 52S + 4LP	5-1892903-6	
1600914-7	NO	.300	1.570	1.220	.300	2.190	2.540	.370	3.590	3.100	3ACP + 8S + 3ACP	5-1892903-4	
1600914-7	NO	.300	1.570	1.220	.300	2.190	2.540	.370	3.590	3.100	3ACP + 8S + 3ACP	5-1892903-3	
1600914-7	NO	.300	1.870	1.520	.300	2.790	3.140	.370	4.190	3.700	4ACP + 8S + 4ACP	5-1892903-2	
1600914-7	NO	.300	1.270	.920	.300	1.590	1.940	.370	2.990	2.500	2ACP + 8S + 2ACP	5-1892903-1	
1600914-7	NO	-	-	.295	-	1.140	1.490	-	2.540	2.050	40S	5-1892903-0	
1600914-7	NO	.115	2.5675	1.010	.115	3.070	3.420	.2775	4.470	3.980	6LP + 60S + 6LP	4-1892903-8	
1600914-7	NO	.115	.7825	.550	.115	.825	1.175	.2775	2.225	1.735	2LP + 8S + 2LP	4-1892903-7	
1600914-7	NO	-	-	2.195	△	2.615	2.965	.370	4.015	3.525	3ACP + 4P + 24S	4-1892903-6	
1600000-3	NO	.300	1.670	.920	.300	1.990	2.340	.370	3.390	2.900	2ACP + 24S + 2ACP	4-1892903-5	
1600914-7	NO	△	.820	.295	-	3.440	3.790	-	4.840	4.350	16S + 11P	4-1892903-4	
1600914-7	NO	-	-	4.420	△	4.940	5.290	.370	6.340	5.850	15P + 28S	4-1892903-3	
1600914-7	NO	.200	1.295	.720	.200	1.490	1.840	.345	2.890	2.400	2HDP + 20S + 2HDP	4-1892903-2	
1600914-7	NO	.300	-	5.050	.300	5.170	5.520	.370	6.570	6.080	15ACP + 2LP + 12S	4-1892903-0	
1600914-7	NO	.300	1.370	.920	.300	1.690	2.040	.370	3.090	2.600	2ACP + 12S + 2ACP	3-1892903-9	
1600914-7	NO	.300	1.970	.920	.300	2.290	2.640	.370	3.690	3.200	2ACP + 36S + 2ACP	3-1892903-8	
1600914-7	NO	.300	1.970	.920	.300	2.290	2.640	.370	3.690	3.200	2ACP + 36S + 2ACP	3-1892903-7	
1600914-7	NO	.300	1.970	1.220	.300	2.590	2.940	0.370	3.990	3.500	3ACP + 20S + 3ACP	3-1892903-6	
1600914-7	NO	-	-	1.520	.300	2.140	2.490	.370	3.540	3.050	4ACP + 32S	3-1892903-5	
1600914-7	NO	-	.845	.545	-	.840	1.190	.345	2.240	1.750	1P + 8S + 1P	3-1892903-4	
1600914-7	NO	-	.970	.620	-	.990	1.340	.370	2.390	1.900	1ACP + 8S + 1ACP	3-1892903-3	
1600914-7	NO	-	-	4.420	△	4.940	5.290	.370	6.340	5.850	15P + 28S	3-1892903-2	
1600914-7	NO	-	-	4.420	△	4.940	5.290	.370	6.340	5.850	15P + 28S	3-1892903-1	
1600000-3	NO	.300	1.470	.920	.300	1.790	2.140	.370	3.190	2.700	2ACP + 16S + 2ACP	3-1892903-0	
1600914-7	NO	.250	.620	.295	-	.865	1.215	-	2.265	1.775	8S + 2P	2-1892903-9	
1600914-7	NO	.250	.620	.295	-	1.365	1.715	-	2.765	2.275	8S + 4P	2-1892903-8	
1600914-7	NO	.250	2.345	1.820	.250	3.090	3.440	.345	4.490	4.000	6P + 16S + 4P	2-1892903-7	
1600914-7	NO	-	-	.295	-	.640	.990	-	2.040	1.550	20S	2-1892903-6	
1600914-7	NO	-	-	1.320	.200	1.640	1.990	.345	3.040	2.550	5HDP + 20S	2-1892903-5	
1600914-7	NO	.250	1.495	1.020	.250	1.990	2.340	.345	3.390	2.900	3P + 16S + 3P	2-1892903-4	
1600914-7	NO	.300	.970	.620	-	1.290	1.640	.370	2.690	2.200	1ACP + 8S + 2ACP	2-1892903-2	
1600914-7	NO	.300	1.870	1.220	.300	2.490	2.840	.370	3.890	3.400	3ACP + 20S + 3ACP	2-1892903-1	
1600914-7	NO	.200	1.020	.720	.200	1.390	1.740	.320	2.790	2.300	2HDP + 8S + 3HDP	2-1892903-0	
1600914-7	NO	-	-	4.420	△	4.940	5.290	.370	6.340	5.850	15P + 28S	1-1892903-9	
1600914-7	NO	.300	1.070	.320	-	3.490	3.840	-	4.890	4.400	24S + 9P	1-1892903-7	
1600914-7	NO	△	2.170	.795	△	4.390	4.740	.345	5.790	5.300	2P + 48S + 10P	1-1892903-6	
1600000-3	NO	.300	1.770	1.220	.300	2.390	2.740	.370	3.790	3.300	3ACP + 16S + 3ACP	1-1892903-5	
1600000-3	NO	-	-	1.270	.300	1.590	1.940	.395	2.990	2.500	3ACP + 16S	1-1892903-4	
1600000-3	NO	-	-	1.520	.200	1.790	2.140	.320	3.190	2.700	6P + 16S	1-1892903-3	
1600914-7	NO	-	-	1.845	.375	1.890	2.240	.345	3.290	2.800	4ACP + 8S	1-1892903-1	
1600914-7	NO	.250	1.345	.845	.250	1.640	1.990	.395	3.040	2.550	2HDP + 16S + 2HDP	1-1892903-0	
1600914-7	NO	.250	2.770	1.845	.250	3.540	3.890	.370	4.940	4.300	6P + 32S + 4P	1892903-8	
160014-7	NO	.300	1.920	1.170	.300	2.490	2.840	.320	3.890	3.400	3ACP + 24S + 3ACP	1892903-7	
1600914-7	NO	.115	1.853	1.220	.300	2.125	2.475	.370	3.525	3.035	3ACP + 24S + 4LP	1892903-4	
1600914-7	NO	△	△	△	△	5.040	5.390	.345	6.440	5.950	2P+16S+1P+2ACP+5P+2ACP+1P+16S+1P+8S	1892903-3	
1600914-7	YES	△	△	2.395	1.920	.300	2.965	3.315	.370	4.365	3.875	4ACP + 12S + 3P	1892903-1
KIT P/N	△	DIM T	DIM R	DIM W	DIM S	DIM U	DIM L	DIM K	DIM F	DIM E	DESCRIPTION	PART NUMBER	

THIS DRAWING IS A CONTROLLED DOCUMENT. DWN: C. ZHOU 09JUN2009
 CHK: S. ZHAO 09JUN2009

DIMENSIONS: INCHES TOLERANCES UNLESS OTHERWISE SPECIFIED:
 0 PLC ±.01
 1 PLC ±.01
 2 PLC ±.01
 3 PLC ±.005
 4 PLC ±.002
 ANGLES ±.020

MATERIAL: FINISH:

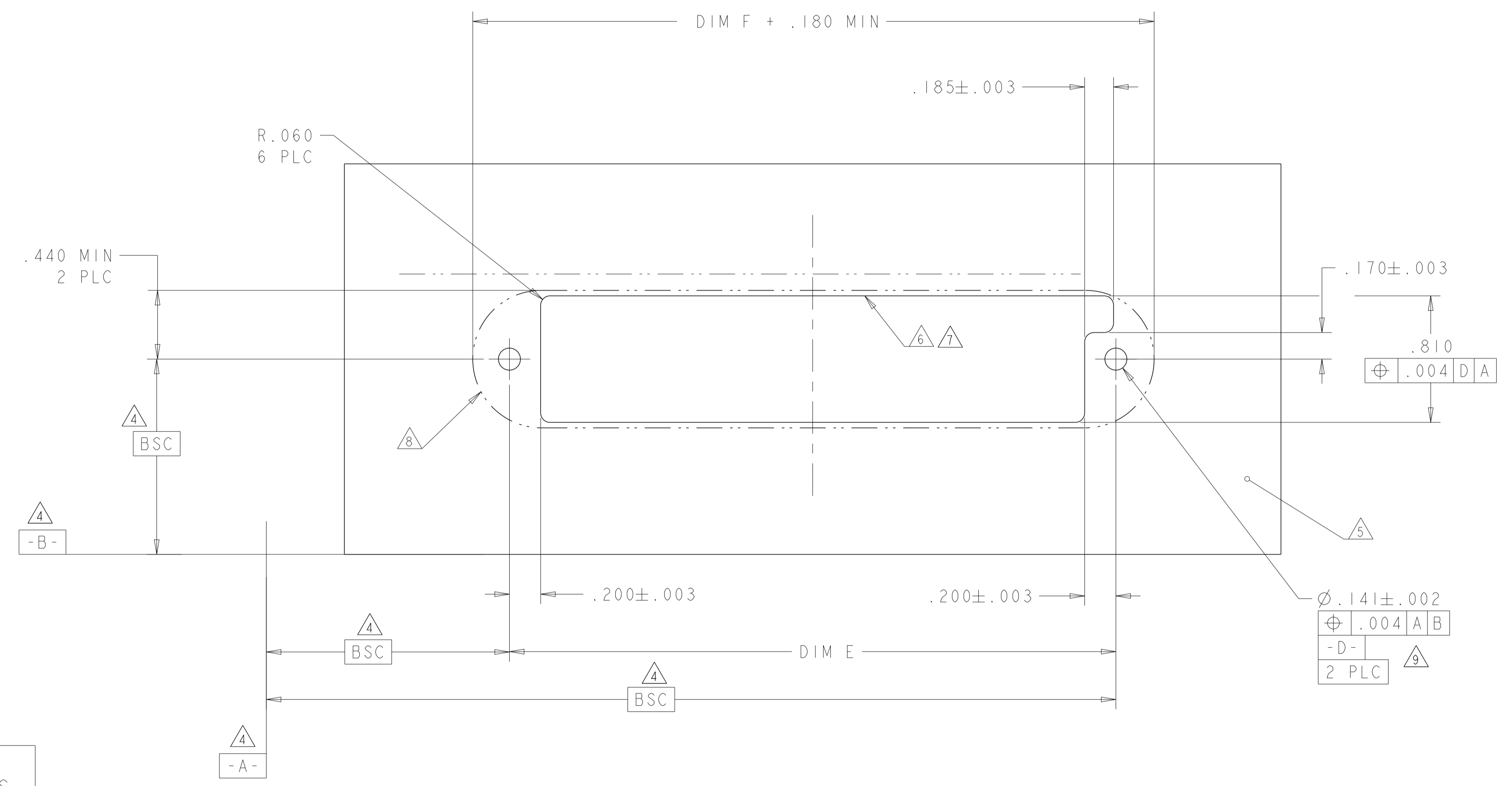
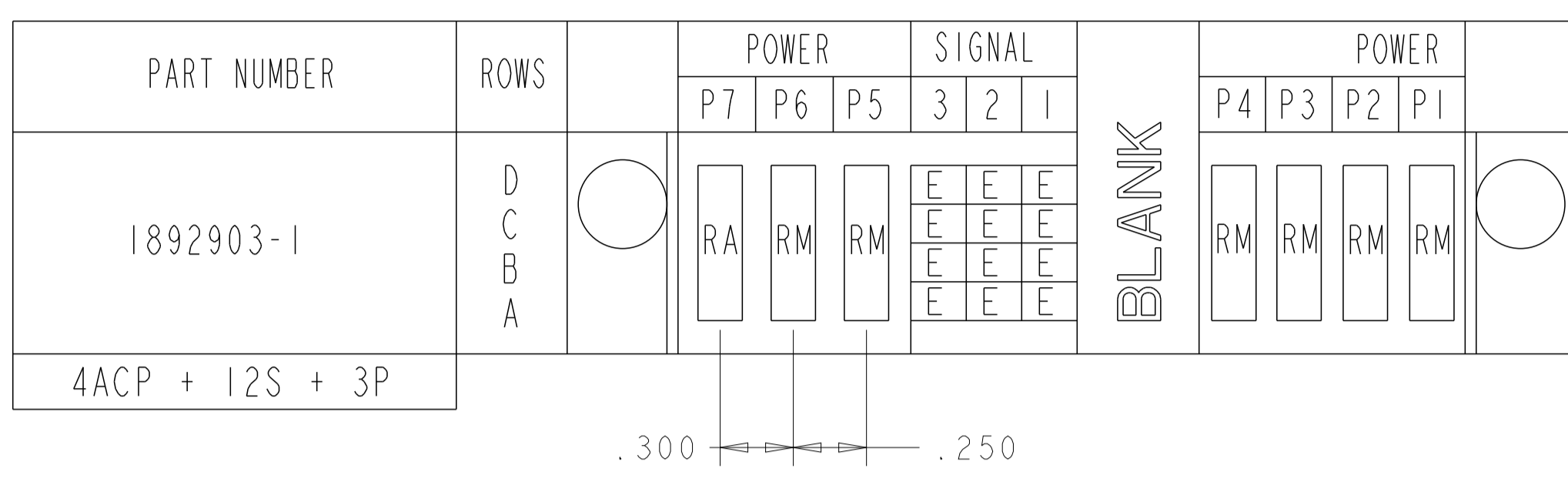
PRODUCT SPEC: 108-2157
 APPLICATION SPEC: 114-13112

WEIGHT: A100779
 SCALE: 1:1

NAME: PANEL MOUNT CABLE RECEPTACLE HOUSING, WITH GUIDES MULTI-BEAM XLE
 SIZE: 100779
 CAGE CODE: 1892903
 SHEET 2 OF 9

REVISED: F9

LOC	DIST	REVISIONS			
P	LTN	DESCRIPTION	DATE	DWN	APVD
-	-	SEE SHEET 1	-	-	-



REFERENCE POWER WIRE CHART - RM & RA CONTACTS		
HOUSING MODULE	CONTACT	INSULATION DIAMETER RANGE
.300	8-10 1600960 REF	[.176-.272]
.250	8-10 1600960 REF	[.176-.203]
	12-14 1600961 REF	[.156-.176]
.200	12-14 1600961 REF	[.120-.156]
.100	22-26 5531216-5 REF	[.036-.069]

-	NO CONTACTS LOADED
LP	LOW POWER CONTACT
RA	MFBL POWER CONTACT
RM	STANDARD POWER CONTACT
E	SIGNAL CONTACT
CODE	DESCRIPTION
CONTACT TABLE	

THIS DRAWING IS A CONTROLLED DOCUMENT.		DWN C. ZHOU 09JUN2009	CHK S. ZHAO 09JUN2009	APVD -	NAME -
DIMENSIONS: INCHES	TOLERANCES UNLESS OTHERWISE SPECIFIED:	PRODUCT SPEC 108-2157			
Ø	0 PLC ±.01	APPLICATION SPEC 114-13112			
	1 PLC ±.01	WEIGHT -			
	2 PLC ±.01	MATERIAL -			
	3 PLC ±.005	FINISH -			
	4 PLC ±.002	CUSTOMER DRAWING			
	ANGLES ±.020	SCALE 1:1 SHEET 3 OF 9 REV F9			

TE Connectivity

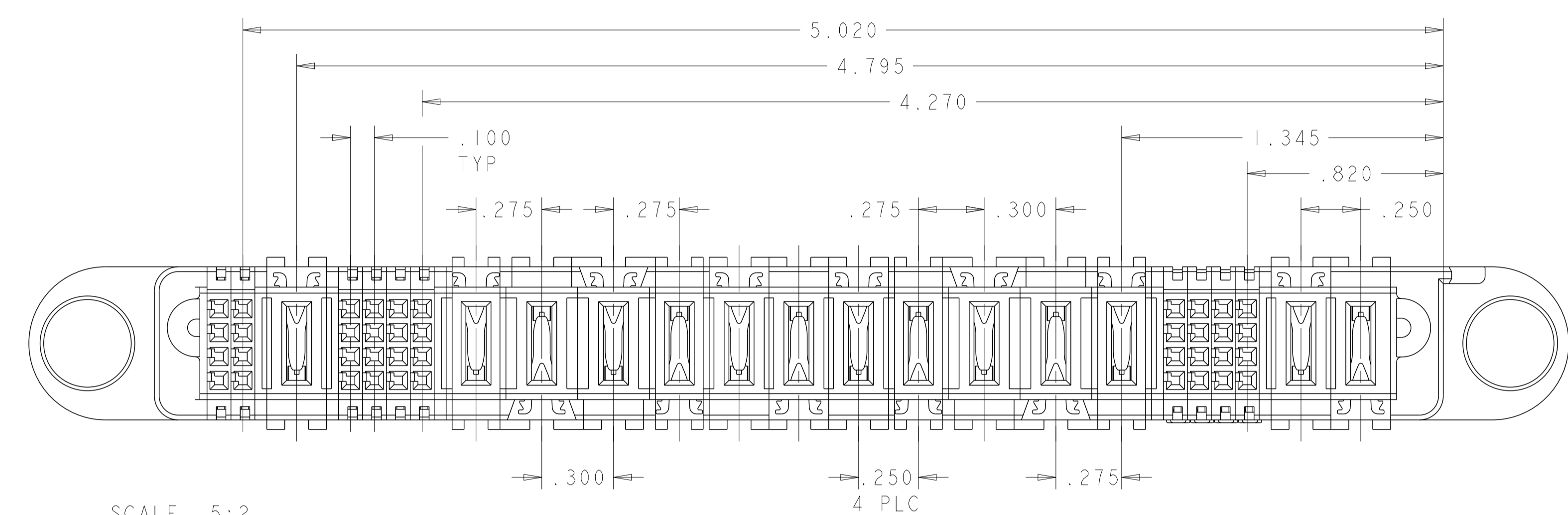
PANEL MOUNT CABLE RECEPTACLE HOUSING, WITH GUIDES MULTI-BEAM XLE

SIZE CAGE CODE DRAWING NO. RESTRICTED TO
A100779C=1892903

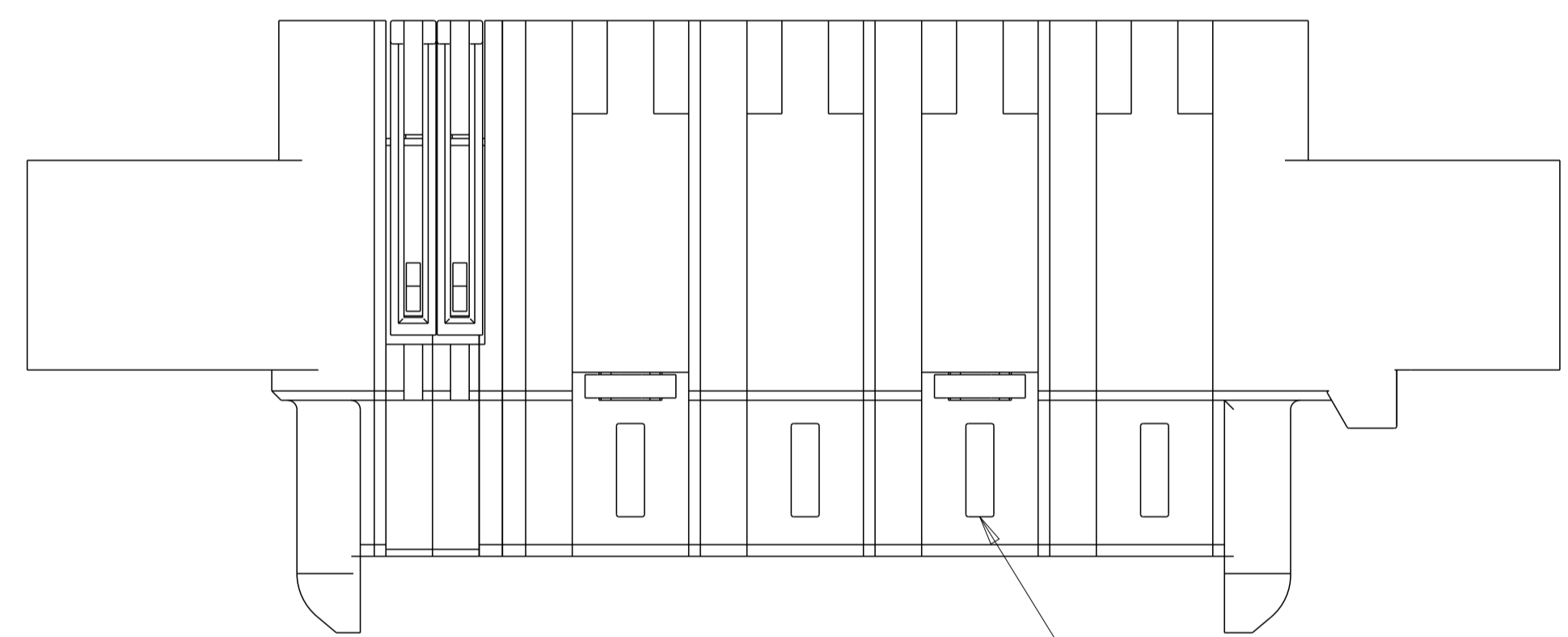
LOC	DIST	REV	DATE	BY	APPV
ES	00				
REVISIONS					
DESCRIPTION			DATE	BY	APPV
SEE SHEET 1					

PART NUMBER	ROWS	SIGNAL		POWER										SIGNAL		POWER										
		10	9	P14	8	7	6	5	P13	P12	P11	P10	P9	P8	P7	P6	P5	P4	P3	4	3	2	1	P2	P1	
1892903-3	D C B A	E	E		E	E	E	E												E	E	E	E		RA	
		E	E		E	E	E	E												E	E	E	E			
		E	E		E	E	E	E												E	E	E	E			
		E	E		E	E	E	E												E	E	E	E			

PART NUMBER	ROWS	POWER		SIGNAL				POWER		
		P4	P3	4	3	2	1	P2	P1	
1-1892903-0	D C B A	RM	RM	E	E	E	E	RM	RM	
				E	E	E	E			
				E	E	E	E			
				E	E	E	E			



PART NUMBER	ROWS	SIGNAL		POWER				
		2	1	P4	P3	P2	P1	
1-1892903-1	D C B A	E	E	RA	RM	RM	RM	
		E	E					
		E	E					
		E	E					



FOR THE CONFIGURATION WITH VENT HOLES
PART NUMBER: 1-1892903-1

PART NUMBER	ROWS	POWER				SIGNAL						POWER				
		P7	P6	P5	P4	6	5	4	3	2	1	P3	P2	P1		
1892903-4	D C B A	LP	LP	LP	LP	E	E	E	E	E	E		RA	RM	RA	
						E	E	E	E	E	E					
						E	E	E	E	E	E					
						E	E	E	E	E	E					

PART NUMBER	ROWS	POWER			SIGNAL						POWER				
		P6	P5	P4	6	5	4	3	2	1	P3	P2	P1		
1892903-7	D C B A	RM	RM	RM	E	E	E	E	E	E		RM	RM	RM	
					E	E	E	E	E	E					
					E	E	E	E	E	E	E				
					E	E	E	E	E	E	E				

PART NUMBER	ROWS	POWER				SIGNAL							POWER							
		P10	P9	P8	P7	8	7	6	5	4	3	2	1	P6	P5	P4	P3	P2	P1	
1892903-8	D C B A	RM	RM	RM	RM	E	E	E	E	E	E	E	E	RM	RM	RM	RM	RM	RM	
						E	E	E	E	E	E	E	E							
						E	E	E	E	E	E	E	E							
						E	E	E	E	E	E	E	E							

THIS DRAWING IS A CONTROLLED DOCUMENT.

DMN: C. ZHOU 09JUN2009
CHK: S. ZHAO 09JUN2009

TE Connectivity

PRODUCT SPEC: 108-2157
APPLICATION SPEC: 114-13112

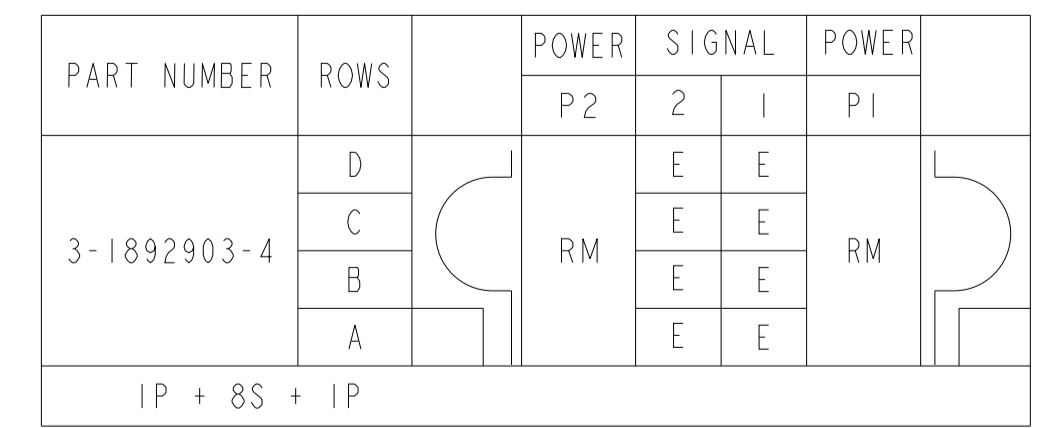
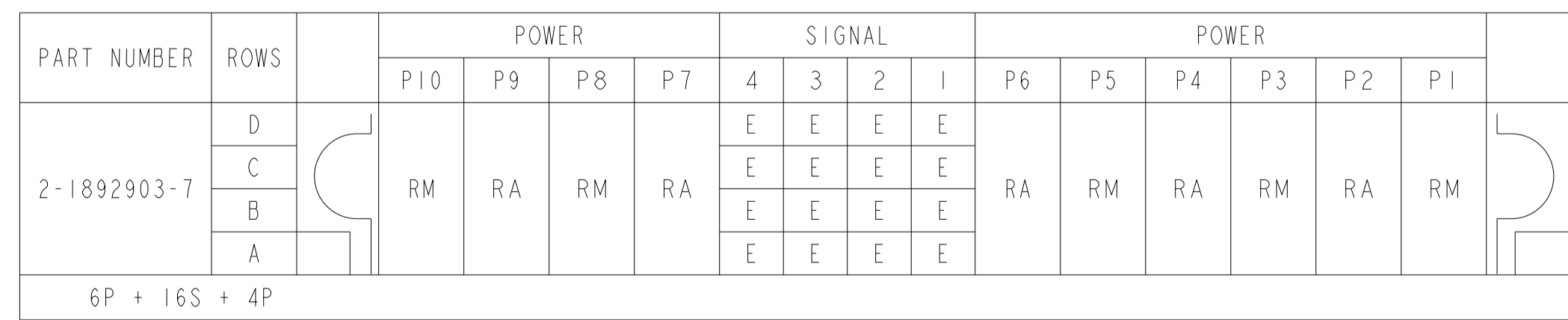
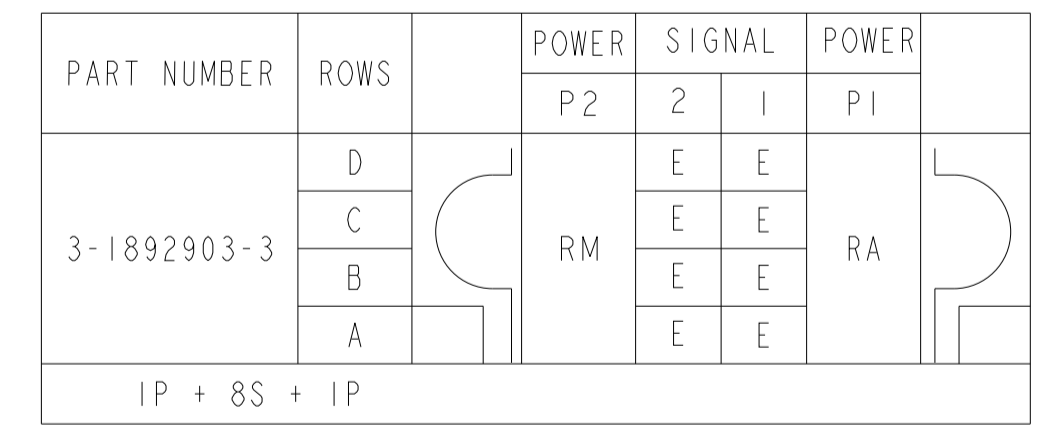
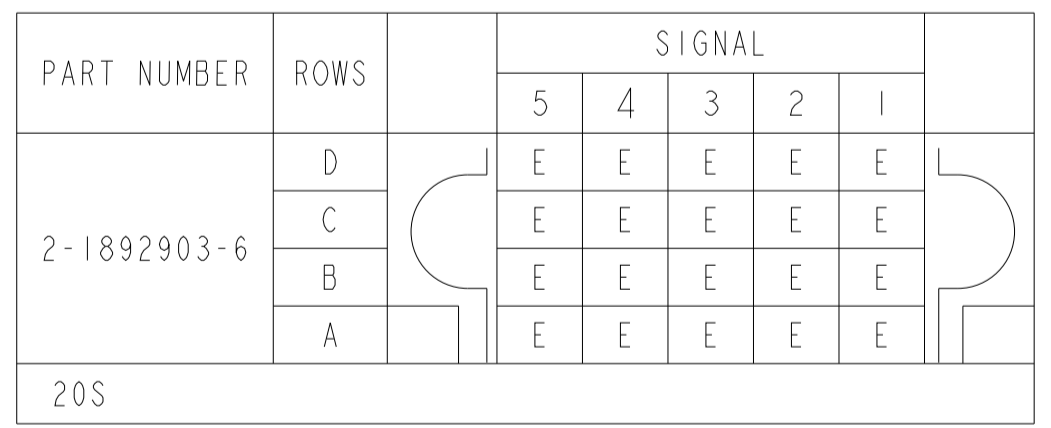
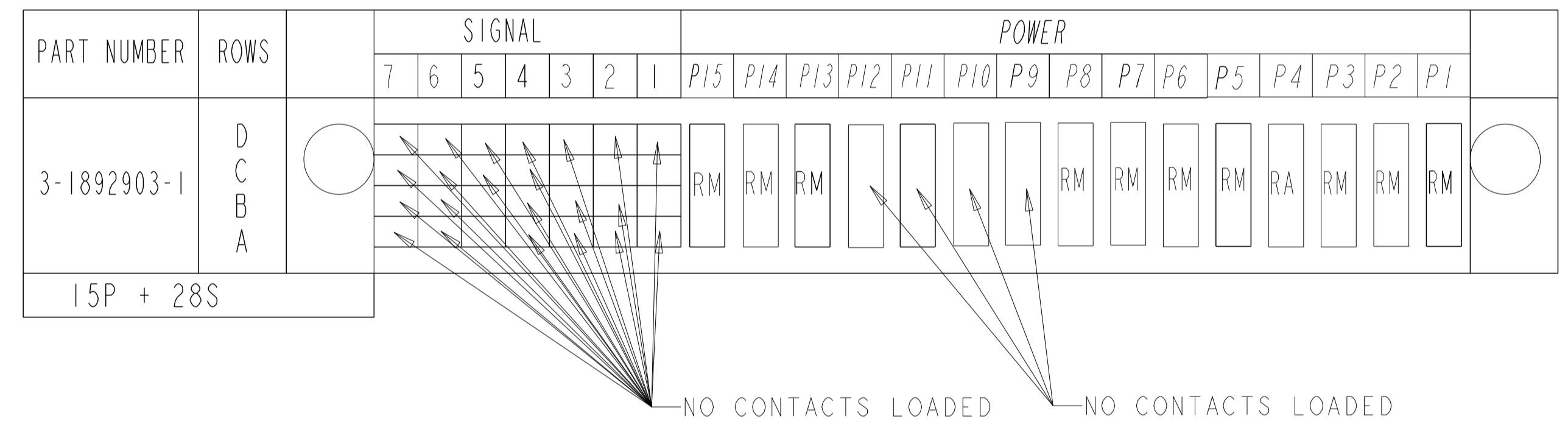
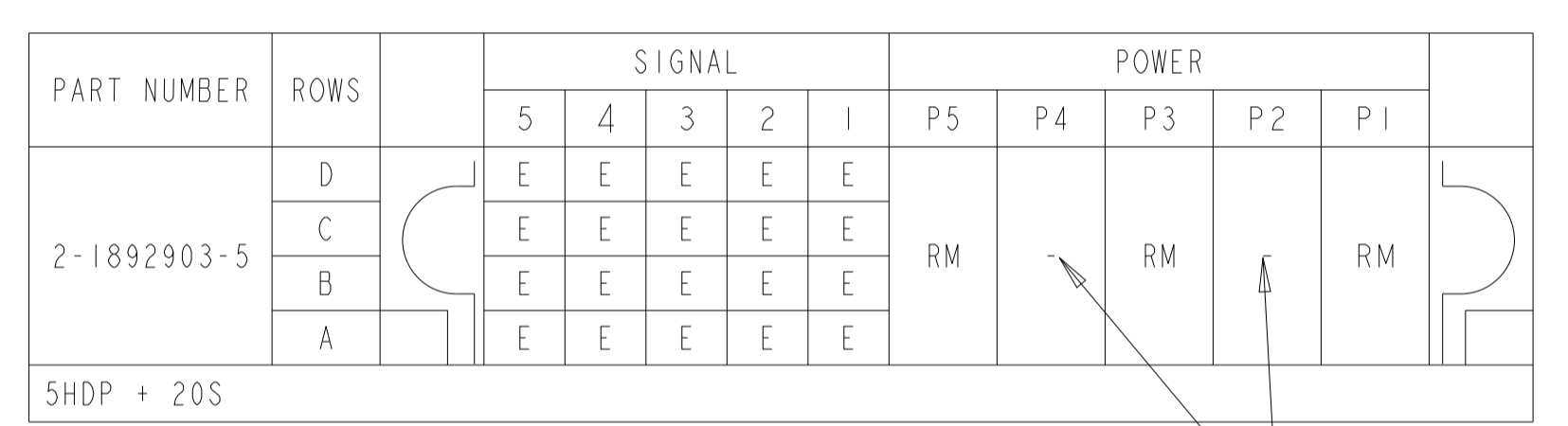
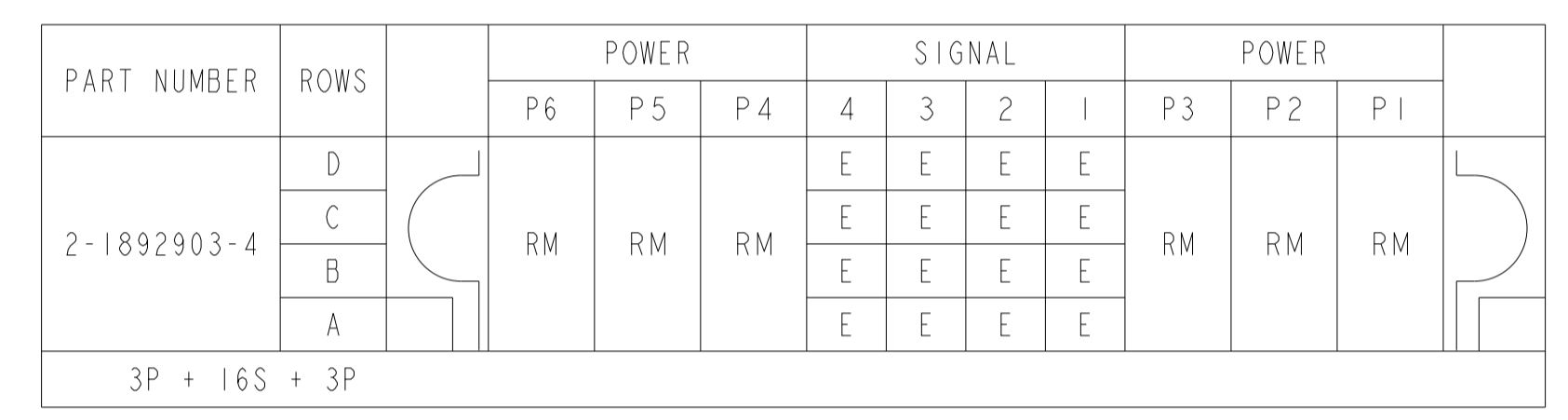
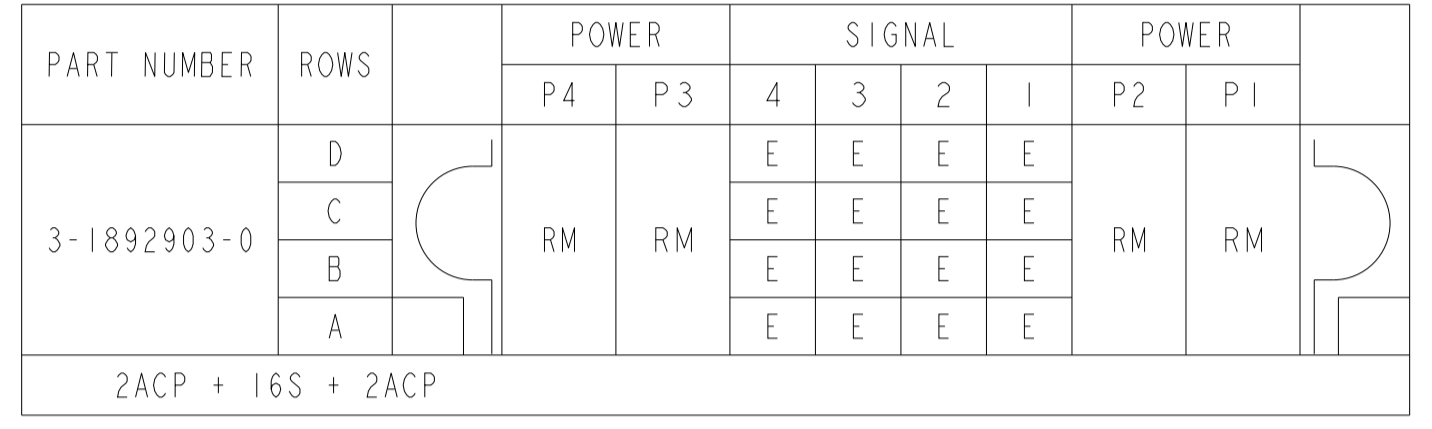
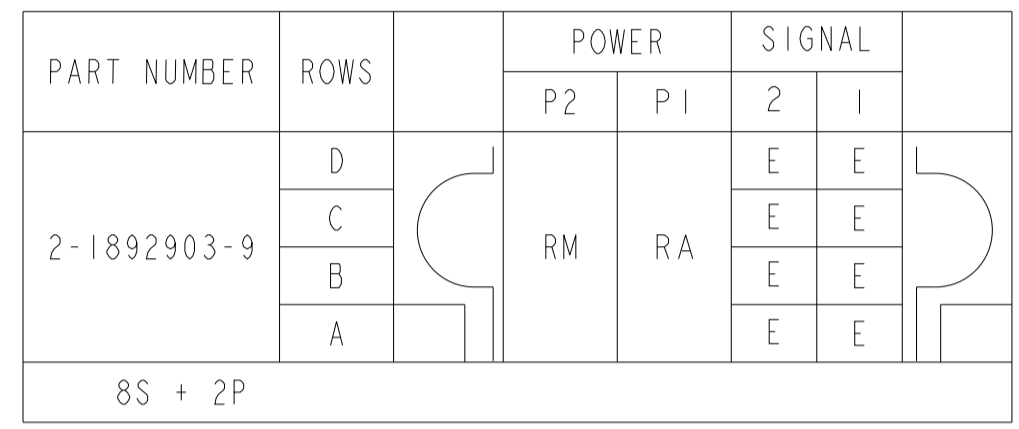
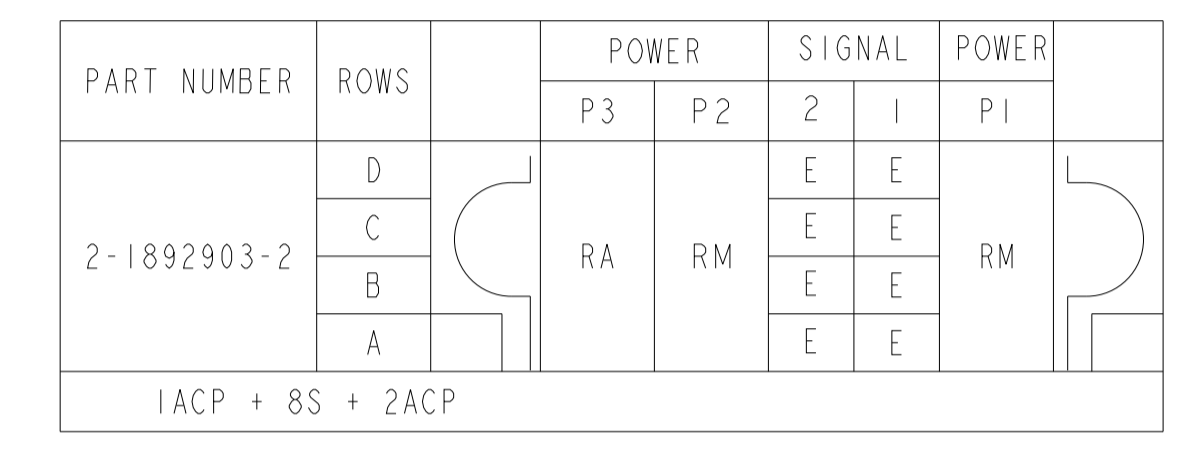
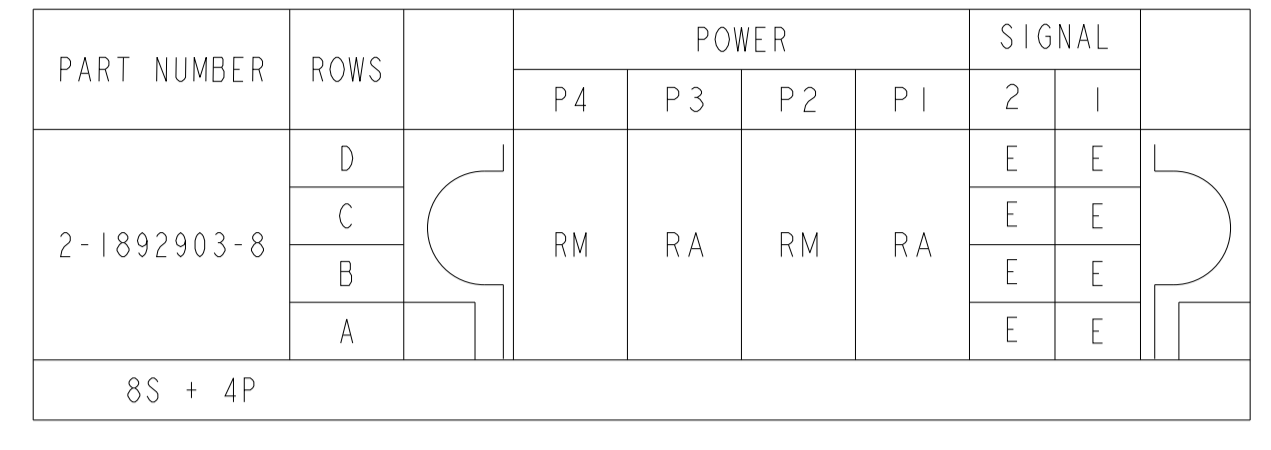
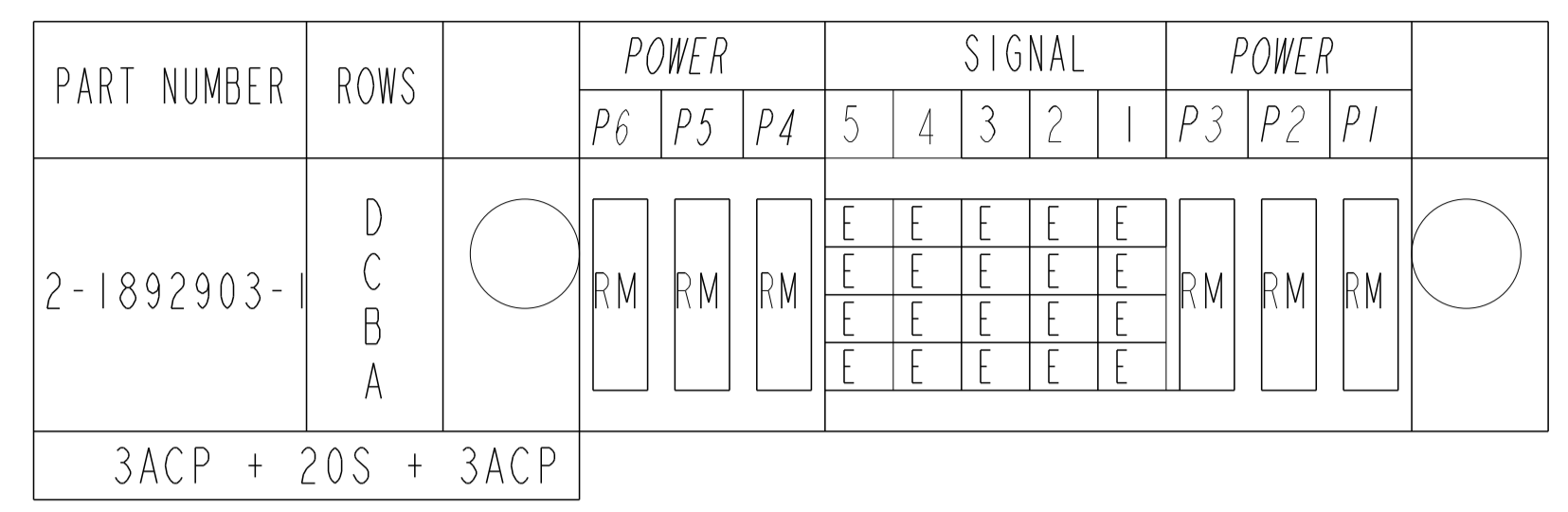
NAME: PANEL MOUNT CABLE RECEPTACLE HOUSING, WITH GUIDES MULTI-BEAM XLE

SIZE: 114-13112
CAGE CODE: A100779
DRAWING NO: C=1892903

RESTRICTED TO: CUSTOMER DRAWING

SCALE: 1:1 SHEET: 4 OF 9 REV: F9

LOC	DIST	REVISIONS			
P	LTN	DESCRIPTION	DATE	DMN	APVD
-	-	SEE SHEET 1	-	-	-



THIS DRAWING IS A CONTROLLED DOCUMENT.

DIMENSIONS: INCHES	TOLERANCES UNLESS OTHERWISE SPECIFIED:	DMN: C. ZHOU 09JUN2009	CHK: S. ZHAO 09JUN2009	APVD: -	NAME: -
0 PLC ±	1 PLC ±.01	PRODUCT SPEC: 108-2157			
2 PLC ±.005	3 PLC ±.005	APPLICATION SPEC: 114-13112			
4 PLC ±.0020	ANGLES ±.2°	WEIGHT: -			
MATERIAL: -	FINISH: -	CUSTOMER DRAWING			

SCALE: 1:1 SHEET 6 OF 9 REV: F9

STE TE Connectivity

PANEL MOUNT CABLE RECEPTACLE HOUSING, WITH GUIDES MULTI-BEAM XLE

SIZE: A1 CAGE CODE: 1892903

LOC	DIST	REVISIONS			
P	LTN	DESCRIPTION	DATE	OWN	APVD
-	-	SEE SHEET 1	-	-	-

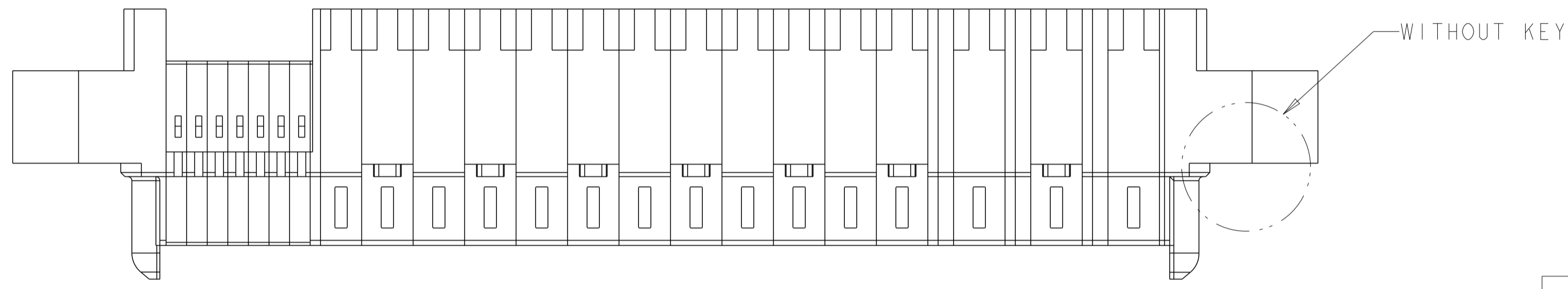
PART NUMBER	ROWS	SIGNAL										POWER											
		7	6	5	4	3	2	1	P15	P14	P13	P12	P11	P10	P9	P8	P7	P6	P5	P4	P3	P2	P1
3-1892903-2	D	E	E	E	E	E	E	E	E	E	E	E	E	E	E	E	E	E	E	E	E	E	E
	C	E	E	E	E	E	E	E	E	E	E	E	E	E	E	E	E	E	E	E	E	E	E
	B	E	E	E	E	E	E	E	E	E	E	E	E	E	E	E	E	E	E	E	E	E	E
	A	E	E	E	E	E	E	E	E	E	E	E	E	E	E	E	E	E	E	E	E	E	E

NO CONTACTS LOADED

NO CONTACTS LOADED

.250
1 IPLC

.375
3 PLC



3-1892903-2

PART NUMBER	ROWS	POWER		SIGNAL								POWER					
		P4	P3	9	8	7	6	5	4	3	2	1	P2	P1			
3-1892903-7	D	RM	RM	E	E	E	E	E	E	E	E	E	E	E	E	E	E
	C	RM	RM	E	E	E	E	E	E	E	E	E	E	E	E	E	E
	B	RM	RM	E	E	E	E	E	E	E	E	E	E	E	E	E	E
	A	RM	RM	E	E	E	E	E	E	E	E	E	E	E	E	E	E

2ACP + 36S + 2ACP

PART NUMBER	ROWS	POWER		SIGNAL								POWER					
		P4	P3	9	8	7	6	5	4	3	2	1	P2	P1			
3-1892903-8	D	RM	RM	-	-	-	-	-	-	-	-	-	-	-	-	-	-
	C	RM	RM	-	-	-	-	-	-	-	-	-	-	-	-	-	-
	B	RM	RM	-	-	-	-	-	-	-	-	-	-	-	-	-	-
	A	RM	RM	-	-	-	-	-	-	-	-	-	-	-	-	-	-

2ACP + 36S + 2ACP

PART NUMBER	ROWS	POWER		SIGNAL			POWER	
		P4	P3	3	2	1	P2	P1
3-1892903-9	D	RM	RM	E	E	E	RM	RM
	C	RM	RM	E	E	E	RM	RM
	B	RM	RM	E	E	E	RM	RM
	A	RM	RM	E	E	E	RM	RM

2ACP + 12S + 2ACP

PART NUMBER	ROWS	SIGNAL			LOW POWER		HIGH POWER														
		3	2	1	LP2	LP1	P15	P14	P13	P12	P11	P10	P9	P8	P7	P6	P5	P4	P3	P2	P1
4-1892903-0	D	E	E	E	LP	LP	-	-	RM	-	-	RM	RM	-	-	-	RM	RM	-	-	RM
	C	E	E	E	LP	LP	-	-	RM	-	-	RM	RM	-	-	-	RM	RM	-	-	RM
	B	E	E	E	LP	LP	-	-	RM	-	-	RM	RM	-	-	-	RM	RM	-	-	RM
	A	E	E	E	LP	LP	-	-	RM	-	-	RM	RM	-	-	-	RM	RM	-	-	RM

15ACP + 2LP + 12S

NO CONTACTS LOADED

PART NUMBER	ROWS	SIGNAL								POWER				
		8	7	6	5	4	3	2	1	P5	P4	P3	P2	P1
3-1892903-5	D	E	E	E	E	E	E	E	-	RM	RM	RM	RM	RA
	C	E	E	E	E	E	E	E	-	RM	RM	RM	RM	RA
	B	E	E	E	E	E	E	E	-	RM	RM	RM	RM	RA
	A	E	E	E	E	E	E	E	-	RM	RM	RM	RM	RA

5ACP + 32S

NO CONTACTS LOADED

PART NUMBER	ROWS	POWER		SIGNAL					POWER	
		P4	P3	5	4	3	2	1	P2	P1
4-1892903-2	D	RM	RM	E	E	E	E	E	RM	RM
	C	RM	RM	E	E	E	E	E	RM	RM
	B	RM	RM	E	E	E	E	E	RM	RM
	A	RM	RM	E	E	E	E	E	RM	RM

2HDP + 20S + 2HDP

PART NUMBER	ROWS	POWER			SIGNAL						POWER		
		P6	P5	P4	6	5	4	3	2	1	P3	P2	P1
3-1892903-6	D	RM	RM	RM	E	E	E	E	E	E	RM	RM	RM
	C	RM	RM	RM	E	E	E	E	E	E	RM	RM	RM
	B	RM	RM	RM	E	E	E	E	E	E	RM	RM	RM
	A	RM	RM	RM	E	E	E	E	E	E	RM	RM	RM

3ACP + 24S + 3ACP

PART NUMBER	ROWS	POWER										SIGNAL				
		P11	P10	P9	P8	P7	P6	P5	P4	P3	P2	P1	4	3	2	1
4-1892903-4	D	RM	RM	RM	RM	RM	RM	RA	RA	RA	RA	RA	E	E	E	E
	C	RM	RM	RM	RM	RM	RM	RA	RA	RA	RA	RA	E	E	E	E
	B	RM	RM	RM	RM	RM	RM	RA	RA	RA	RA	RA	E	E	E	E
	A	RM	RM	RM	RM	RM	RM	RA	RA	RA	RA	RA	E	E	E	E

16S + 11P

.375

.250
9 PLC

NO CONTACTS LOADED

PART NUMBER	ROWS	SIGNAL										POWER											
		7	6	5	4	3	2	1	P15	P14	P13	P12	P11	P10	P9	P8	P7	P6	P5	P4	P3	P2	P1
4-1892903-3	D	E	E	E	E	E	E	E	E	E	E	E	E	E	E	E	E	E	E	E	E	E	E
	C	E	E	E	E	E	E	E	E	E	E	E	E	E	E	E	E	E	E	E	E	E	E
	B	E	E	E	E	E	E	E	E	E	E	E	E	E	E	E	E	E	E	E	E	E	E
	A	E	E	E	E	E	E	E	E	E	E	E	E	E	E	E	E	E	E	E	E	E	E

15P + 28S

NO CONTACTS LOADED

NO CONTACTS LOADED

.375
3 PLC

.250
11 PLC

THIS DRAWING IS A CONTROLLED DOCUMENT.

OWN: C. ZHOU 09JUN2009
CHK: S. ZHAO 09JUN2009
APVD: -

DIMENSIONS: INCHES

TOLERANCES UNLESS OTHERWISE SPECIFIED:
0 PLC ±.
1 PLC ±.
2 PLC ±.01
3 PLC ±.005
4 PLC ±.0020
ANGLES ±.2°

MATERIAL: -
FINISH: -

PRODUCT SPEC: 108-2157
APPLICATION SPEC: 114-13112
WEIGHT: -

NAME: PANEL MOUNT CABLE RECEPTACLE HOUSING, WITH GUIDES MULTI-BEAM XLE
SIZE: A1
CAGE CODE: 100779
DRAWING NO: 1892903

RESTRICTED TO: -

CUSTOMER DRAWING

SCALE: 1:1
SHEET: 7 of 9
REV: F9

TE Connectivity

