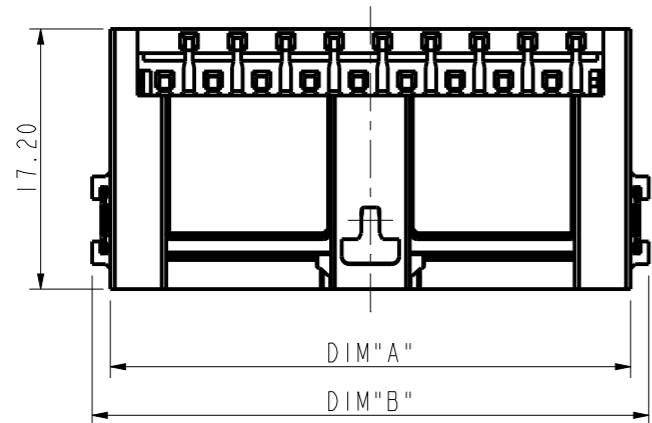


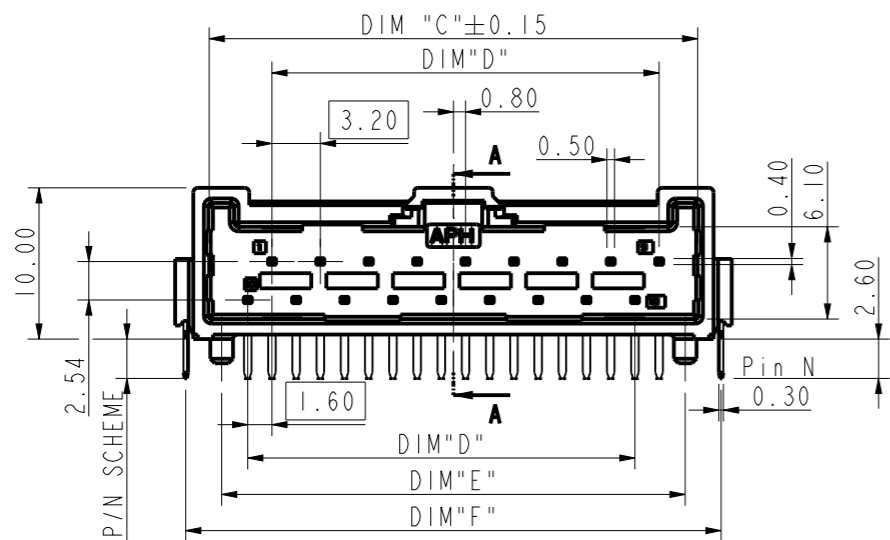
TAIL STYLE	
HOLD DOWN	THORUGHT HOLE
SIGNAL PIN	THORUGHT HOLE

PIN NUMBER	DIM "A"	DIM "B"	DIM "C"	DIM "D"	DIM "E"	DIM "F"
20 Pin	37.60	40.00	35.50	28.80	33.85	38.60
18 Pin	34.40	36.80	32.30	25.60	30.65	35.40
~	~	~	~	~	~	~
14 Pin	28.00	30.40	25.90	19.20	24.25	29.00

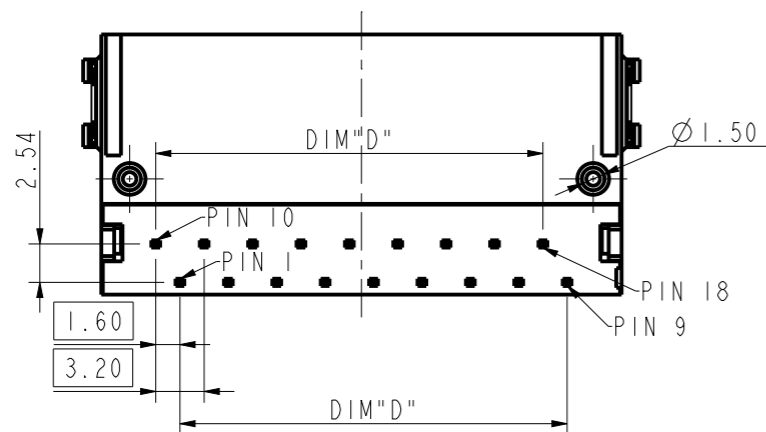
A



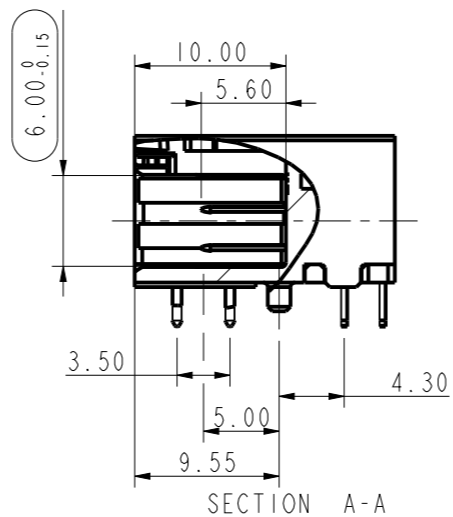
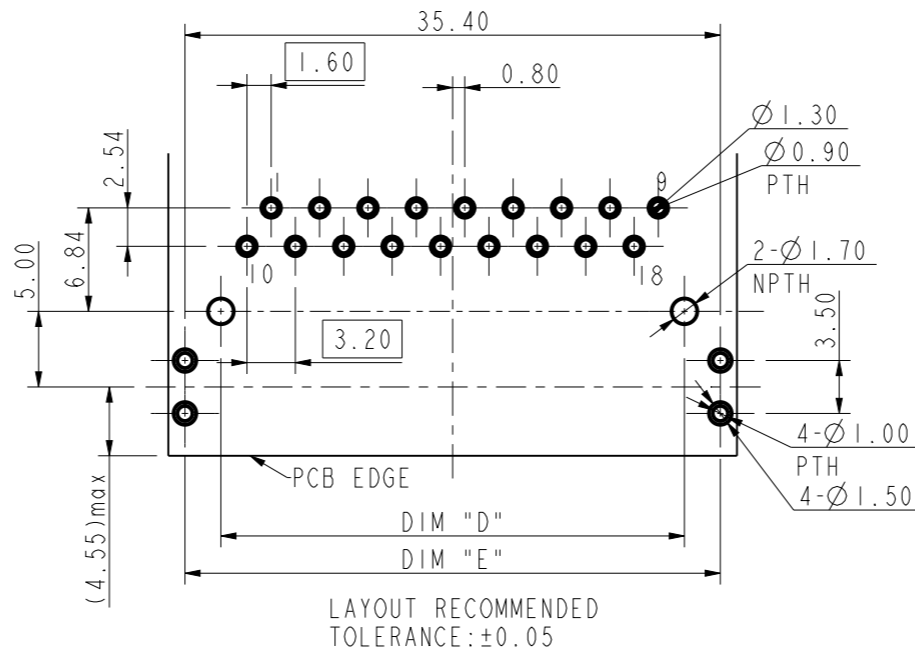
B



C



D



Part number scheme

10164521-XXXXXXLE

CONNECTOR STYLE  
R: RIGHT ANGLE.

LEAD FREE

PIN NUMBER  
18- 18 PIN  
14- 14 PIN

COVER:  
0: WITH OUT  
1: WITH

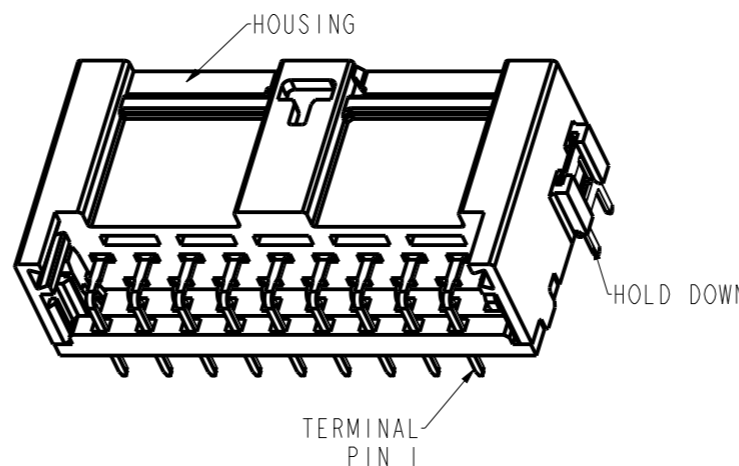
PACKING TYPE  
0: TRAY  
1: CARRIER TAPE

TAIL STYLE OPTION  
0: ALL TH, HD TAIL LENGTH: 2.60

CONTACT AREA PLATING  
0: 40U" TIN

NOTES:

- MATERIAL:
  - HOUSING AND SPACER OR REAR COVER: THERMOPLASTIC
  - TERMINAL AND HOLD DOWN: COPPER ALLOY
- PLATING: 1-3µm NI UNDER PLATING;
  - CONTACT AREA: ACCORDING TO PART NUMBER;
  - SOLDER TAIL: TIN PLATING.
- PRODUCT SPEC GS-12-1679
- THIS HOUSING WILL WITHSTAND EXPOSURE TO 260°C PEAK TEMPERATURE FOR 20 SECONDS IN A IR REFLOW SOLDERING APPLICATION.
- THIS PRODUCT MEETS EUROPEAN UNION DIRECTIVES AND OTHER COUNTRY REGULATIONS AS DESCRIBED IN GS-47-0004.



Amphenol FCI

© 2016 AFCI

spec ref				dr	Li-Qing Lei	2022/01/07	projection	mm		size	A3	scale	1:1
tolerance std	TOLERANCES UNLESS OTHERWISE SPECIFIED			eng	Ward Wang	2022/01/26				ecn no		-	
surface	linear	0.X	±0.5	chr	-	-				rel level		Released	
		0.XX	±0.25	appr	Tim Yao	2022/01/26	product family		-				
	0.XXX	±0.10	<b>Amphenol FCI</b>		<b>HEADER RA</b>		dwg no		10164521C		rev	A	
angular	0°	±2°	cat. no.		Product - Customer Drw		sheet 1 of 1						