

THIS DRAWING IS UNPUBLISHED.

RELEASED FOR PUBLICATION

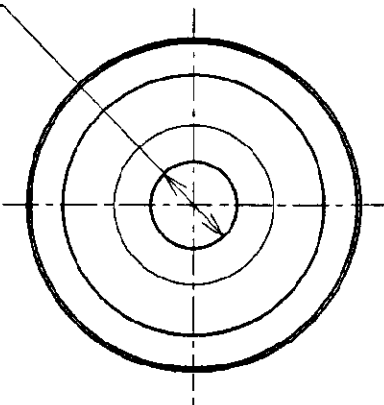
19

© COPYRIGHT 19

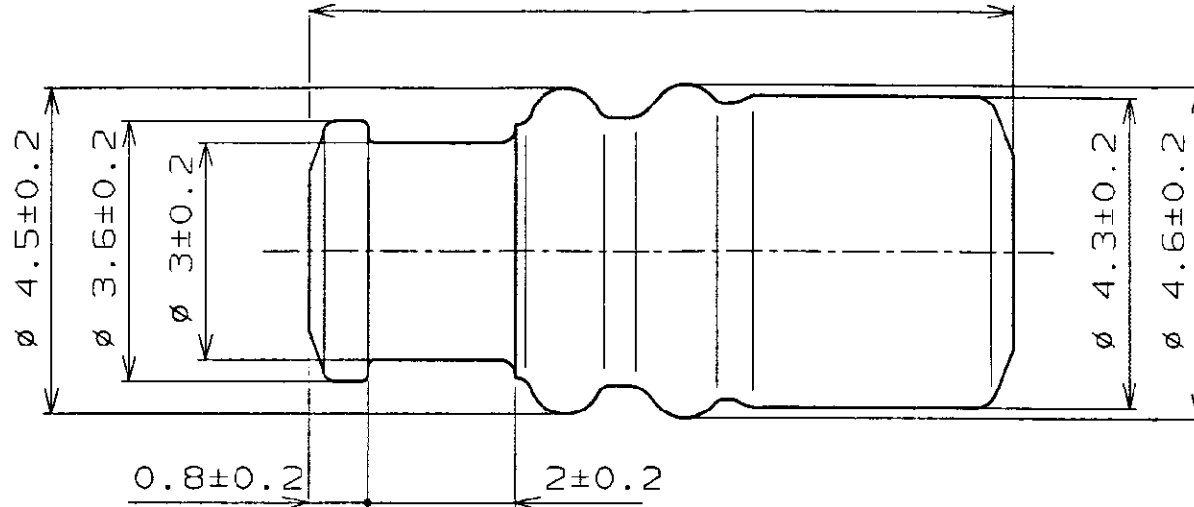
BY AMP INCORPORATED. ALL RIGHTS RESERVED.

LOC	DIST	REVISIONS						
		P	LTR	DESCRIPTION	ECN	DATE	DWN	APVD
J		0		作成 DRAWN	FJ00-4706-96	6/3 '96	J/L	82

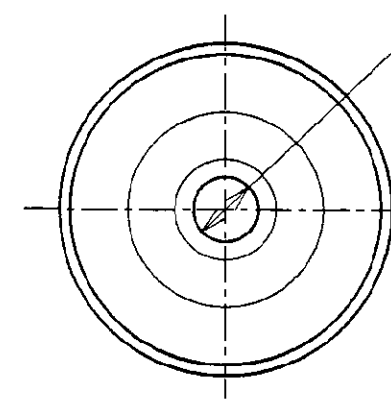
∅ 1.2±0.2



9.7±0.2



∅ 0.9±0.2



SIR		DARK YELLOW GREEN (濃黄緑)		900324-4		WIRE RANGE 包含電線断面積 0.3-0.5mm ²		INSULATION DIA 被覆外径 ∅1.4~∅1.9			
材料(MATERIAL)		色 (COLOR)		型番(P/N)		AMP 日本アンプ株式会社 Kawasaki, Japan					
<small>THIS DRAWING IS A CONTROLLED DOCUMENT FOR AMP INCORPORATED. IT IS SUBJECT TO CHANGE AND THE CONTROLLING ENGINEERING ORGANIZATION SHOULD BE CONTACTED FOR THE LATEST REVISION.</small>						DWN J. Hayashi 4/2/96		NAME 名称			
DIMENSIONS: 単位: 毫米 mm		TOLERANCES UNLESS OTHERWISE SPECIFIED 一般公差 10% ±0.2 30% ±0.25 100% ±0.3 ANGLE: ±2°				CHK S. Hayashi 4/3/96		PRODUCT SPEC 製品規格 108-5355		.070 RUBBER PLUG(S)	
MATERIAL 材料 表参照		FINISH 仕上				APVD S. Hayashi 4/3/96		APPLICATION SPEC 取付運用規格 114-5230		DRAWING NO 番号 C-900324	
						WEIGHT 重量 0.13g		SIZE A3		CAGE CODE 00779	
						CUSTOMER DRAWING		SCALE 尺度 10-1		SHEET 1 OF 1	
								REV 0			