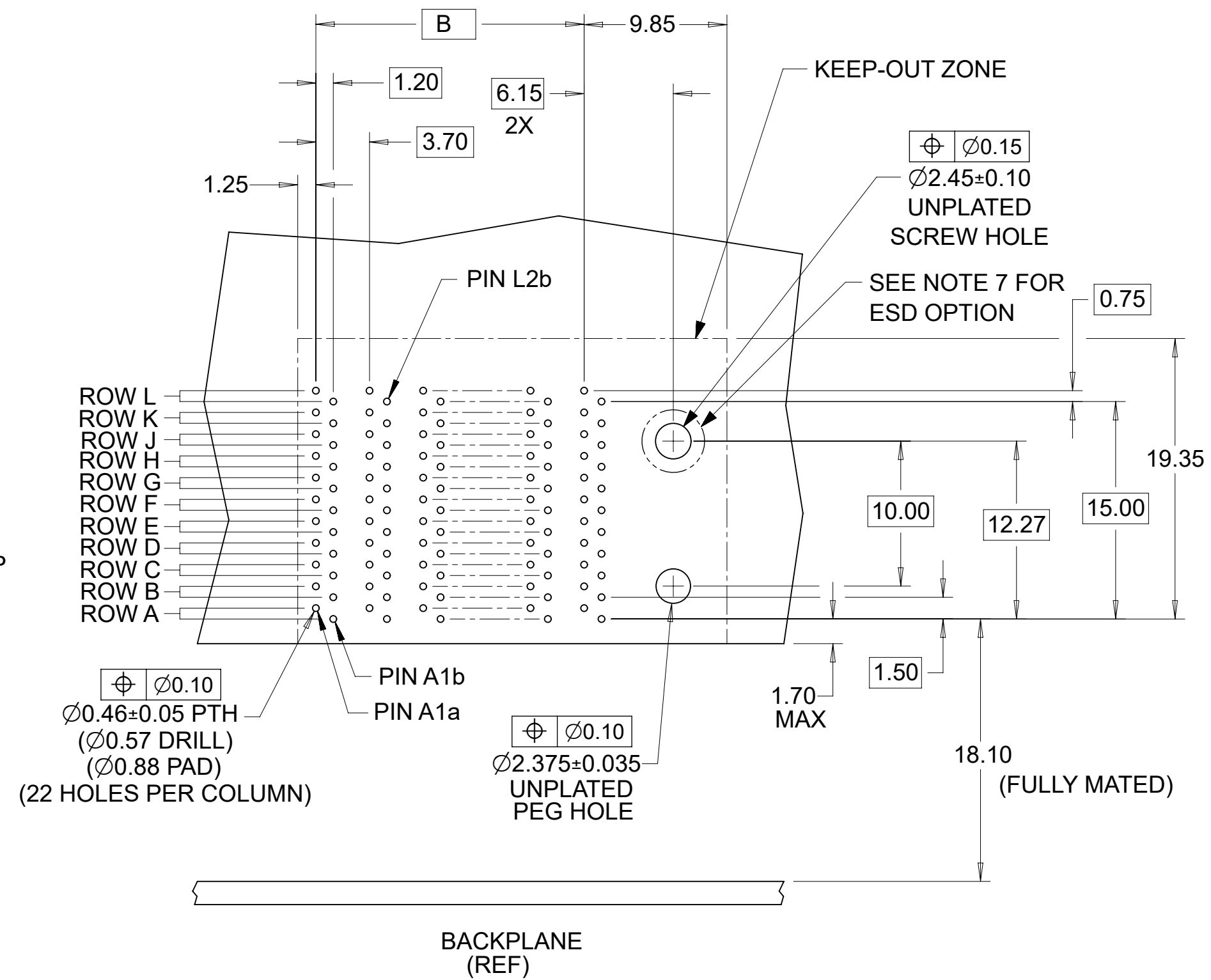
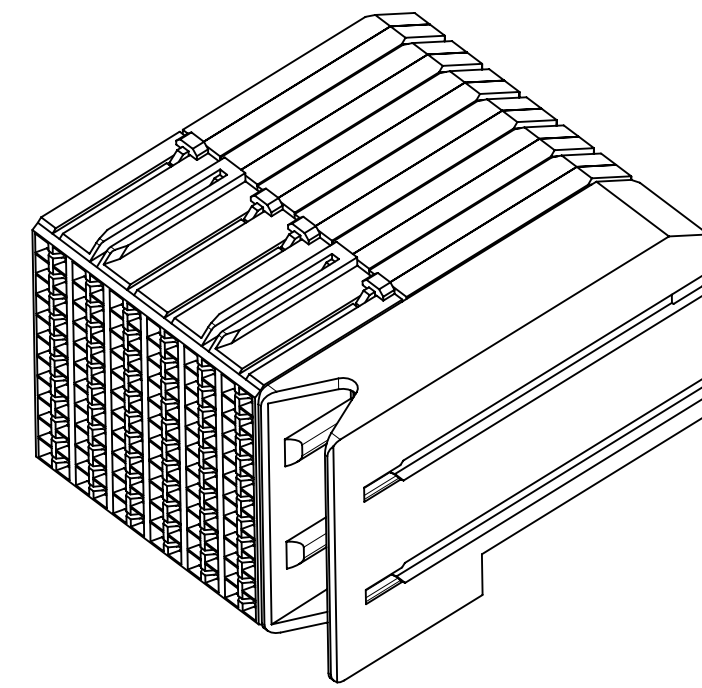
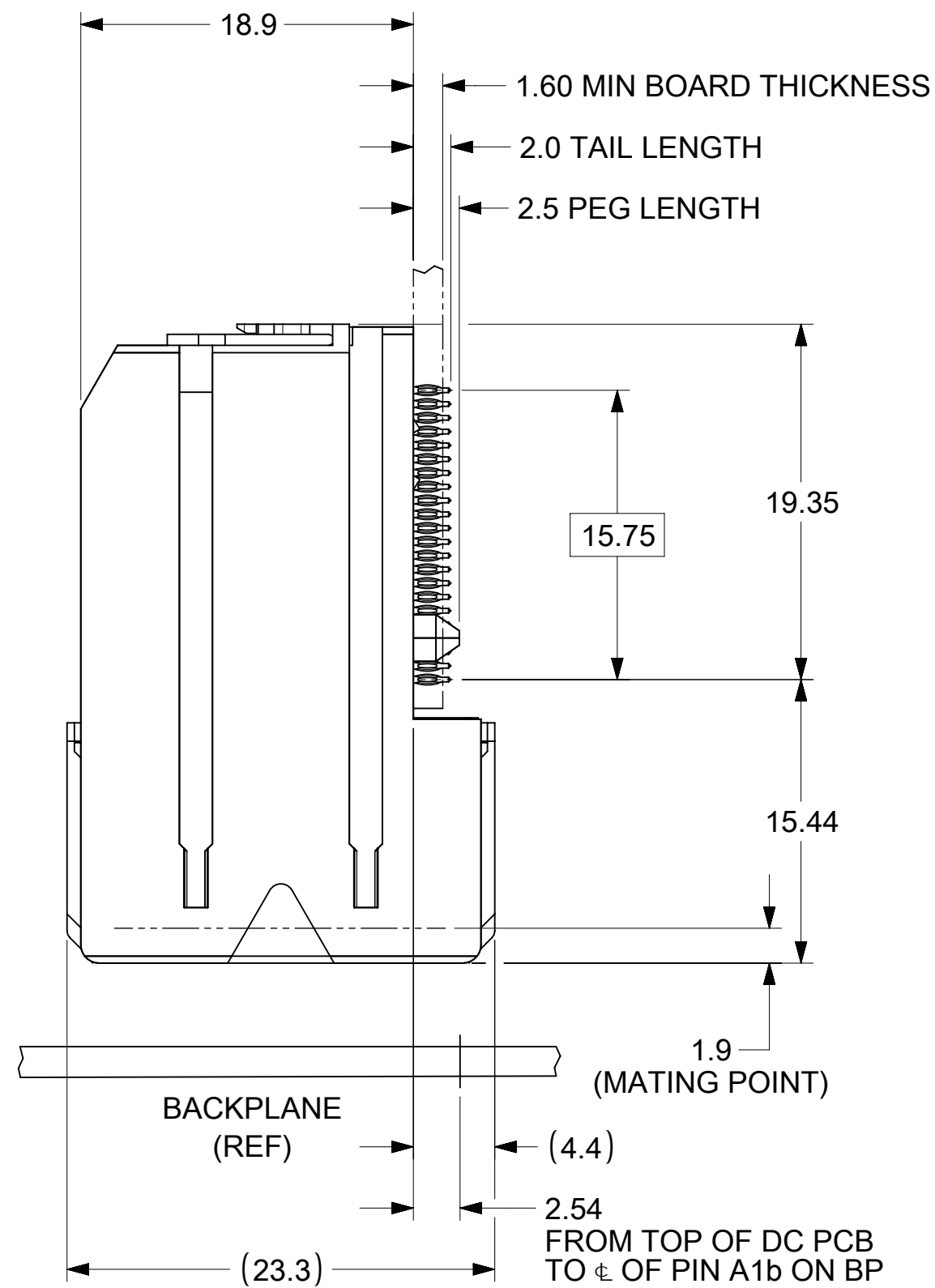


KEY SHOWN IN POSITION "B"



DAUGHTERCARD HOLE PATTERN (CONNECTOR SIDE)

NOTES:

- MATERIALS: HOUSING - LIQUID CRYSTAL POLYMER (LCP) GLASS-FILLED, UL94V-0
TERMINALS - HIGH PERFORMANCE COPPER ALLOY
- FINISH: SELECTIVE GOLD IN CONTACT AREA.
SELECTIVE MATTE TIN ON PCB TAILS. NICKEL OVERALL
- REFER TO MOLEX PRODUCT SPECIFICATION PS-75710-999 FOR PERFORMANCE SPECS.
- PRODUCT IS PACKAGED PER PK-70873-609.
- THIS PART CONFORMS TO CLASS B REQUIREMENTS OF COSMETIC SPEC PS-45499-002.
- GUIDED PARTS TO BE SHIPPED WITH 2-32 TYPE AB
SELF-TAPPING SCREW P/N 73726-0000.
- FOR GROUNDED GUIDE MODULES USE DIA 2.45+/-0.10 (PTH), DIA 2.58 (DRILL).
AND DIA 4.50 (PAD)
- MAPS (MOLEX ADVANCED PLATING SYSTEM)

THIS DRAWING CONTAINS INFORMATION THAT IS PROPRIETARY TO MOLEX ELECTRONIC TECHNOLOGIES, LLC AND SHOULD NOT BE USED WITHOUT WRITTEN PERMISSION

| DIMENSION UNITS | SCALE | CURRENT REV DESC: | molex | | | |
|---|--------|------------------------|---|-----------------|--------------|----------------|
| mm | NTS | REMASTERED TO NX | I-TRAC DAUGHTERCARD 11 ROW SIGNAL MODULE GUIDE RIGHT SALES DWG | | | |
| GENERAL TOLERANCES (UNLESS SPECIFIED) | | EC NO: 671119 | PRODUCT CUSTOMER DRAWING | | | |
| ANGULAR TOL | ± 0.5° | DRWN: YOGEEB | 2021/06/28 | DOCUMENT NUMBER | | DOC TYPE |
| 4 PLACES | ± | CHK'D: VINODM3 | 2022/01/31 | SD-75710-004 | | PSD |
| 3 PLACES | ± | APPR: CWANG25 | 2022/02/18 | DOC PART | | 001 |
| 2 PLACES | ± 0.13 | INITIAL REVISION: | | REVISION | | E1 |
| 1 PLACE | ± 0.25 | DRWN: MCARRANZA | 2006/06/19 | MATERIAL NUMBER | | SEE TABLE |
| 0 PLACES | ± | APPR: JLAURX | 2006/06/21 | CUSTOMER | | GENERAL MARKET |
| DRAFT WHERE APPLICABLE MUST REMAIN WITHIN DIMENSIONS | | THIRD ANGLE PROJECTION | DRAWING | SERIES | SHEET NUMBER | |
| | | | C-SIZE | 75710 | 1 OF 2 | |

75710- * * * *

MODULE TYPE -- TAIL PLATING TYPE
 GUIDE RIGHT -- MATTE TIN (FORMERLY TIN/LEAD) = 4
 GUIDE RIGHT -- MATTE TIN = 5

POLARIZATION KEY ORIENTATION
 0 = NO KEY
 1 = A 5 = E
 2 = B 6 = F
 3 = C 7 = G
 4 = D 8 = H

OF COLUMNS/PLATING
 05 = 5 COL 30 GOLD
 06 = 6 COL 30 GOLD
 08 = 8 COL 30 GOLD
 10 = 10 COL 30 GOLD
 55 = 5 COL W/ESD 30 GOLD
 56 = 6 COL W/ESD 30 GOLD
 58 = 8 COL W/ESD 30 GOLD
 50 = 10 COL W/ESD 30 GOLD
 25 = 5 COL 10 GOLD (MAPS)
 26 = 6 COL 10 GOLD (MAPS)
 28 = 8 COL 10 GOLD (MAPS)
 20 = 10 COL 10 GOLD (MAPS)
 65 = 5 COL W/ESD 10 GOLD (MAPS)
 66 = 6 COL W/ESD 10 GOLD (MAPS)
 68 = 8 COL W/ESD 10 GOLD (MAPS)
 60 = 10 COL W/ESD 10 GOLD (MAPS)

| MATERIAL NUMBER | # OF COLUMNS | DIM "A" MAX | DIM "B" |
|-----------------|--------------|-------------|---------|
| 75710-***5 | 5 | 25.90 | 14.80 |
| 75710-***6 | 6 | 29.60 | 18.50 |
| 75710-***8 | 8 | 37.00 | 25.90 |
| 75710-***0 | 10 | 44.40 | 33.30 |

| | | | | | | | | | | | |
|---|--|--------|--|---|--|----------|--|---|--|----------|--|
| THIS DRAWING CONTAINS INFORMATION THAT IS PROPRIETARY TO MOLEX ELECTRONIC TECHNOLOGIES, LLC AND SHOULD NOT BE USED WITHOUT WRITTEN PERMISSION | | | | | | | | | | | |
| DIMENSION UNITS | | SCALE | | CURRENT REV DESC: REMASTERED TO NX | | | | molex | | | |
| mm | | NTS | | | | | | | | | |
| GENERAL TOLERANCES (UNLESS SPECIFIED) | | | | EC NO: 671119 DRWN: YOGEEB 2021/06/28 CHK'D: VINODM3 2022/01/31 APPR: CWANG25 2022/02/18 INITIAL REVISION: DRWN: MCARRANZA 2006/06/19 APPR: JLAURX 2006/06/21 | | | | I-TRAC DAUGHTERCARD 11 ROW SIGNAL MODULE GUIDE RIGHT SALES DWG | | | |
| ANGULAR TOL | | ± 0.5° | | | | | | PRODUCT CUSTOMER DRAWING | | | |
| 4 PLACES | | ± | | | | | | DOCUMENT NUMBER | | | |
| 3 PLACES | | ± | | | | | | SD-75710-004 | | | |
| 2 PLACES | | ± 0.13 | | | | | | DOC TYPE | | DOC PART | |
| 1 PLACE | | ± 0.25 | | PSD | | 001 | | E1 | | | |
| 0 PLACES | | ± | | MATERIAL NUMBER | | CUSTOMER | | SHEET NUMBER | | | |
| DRAFT WHERE APPLICABLE MUST REMAIN WITHIN DIMENSIONS | | | | THIRD ANGLE PROJECTION | | DRAWING | | SERIES | | | |
| | | | | | | C-SIZE | | 75710 | | | |
| SEE TABLE | | | | GENERAL MARKET | | 2 OF 2 | | | | | |