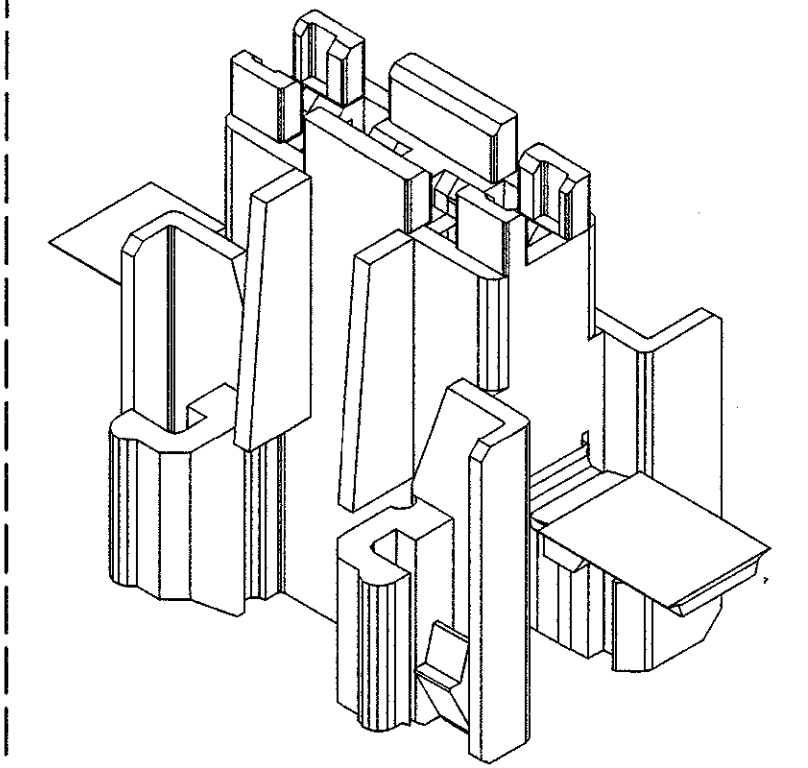
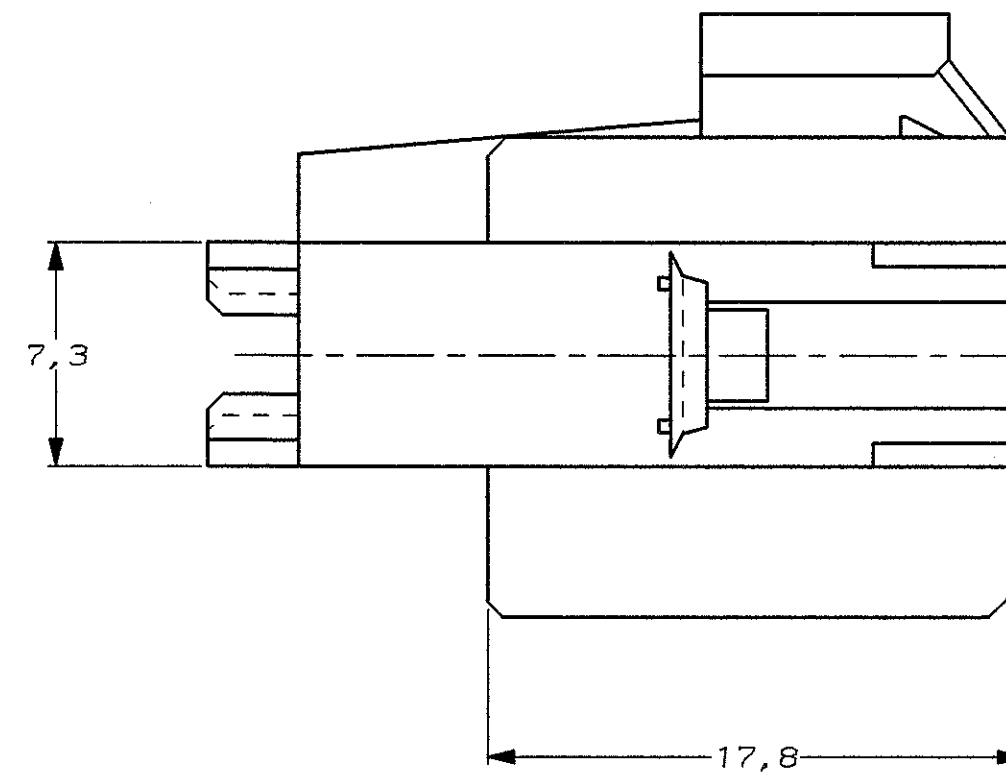
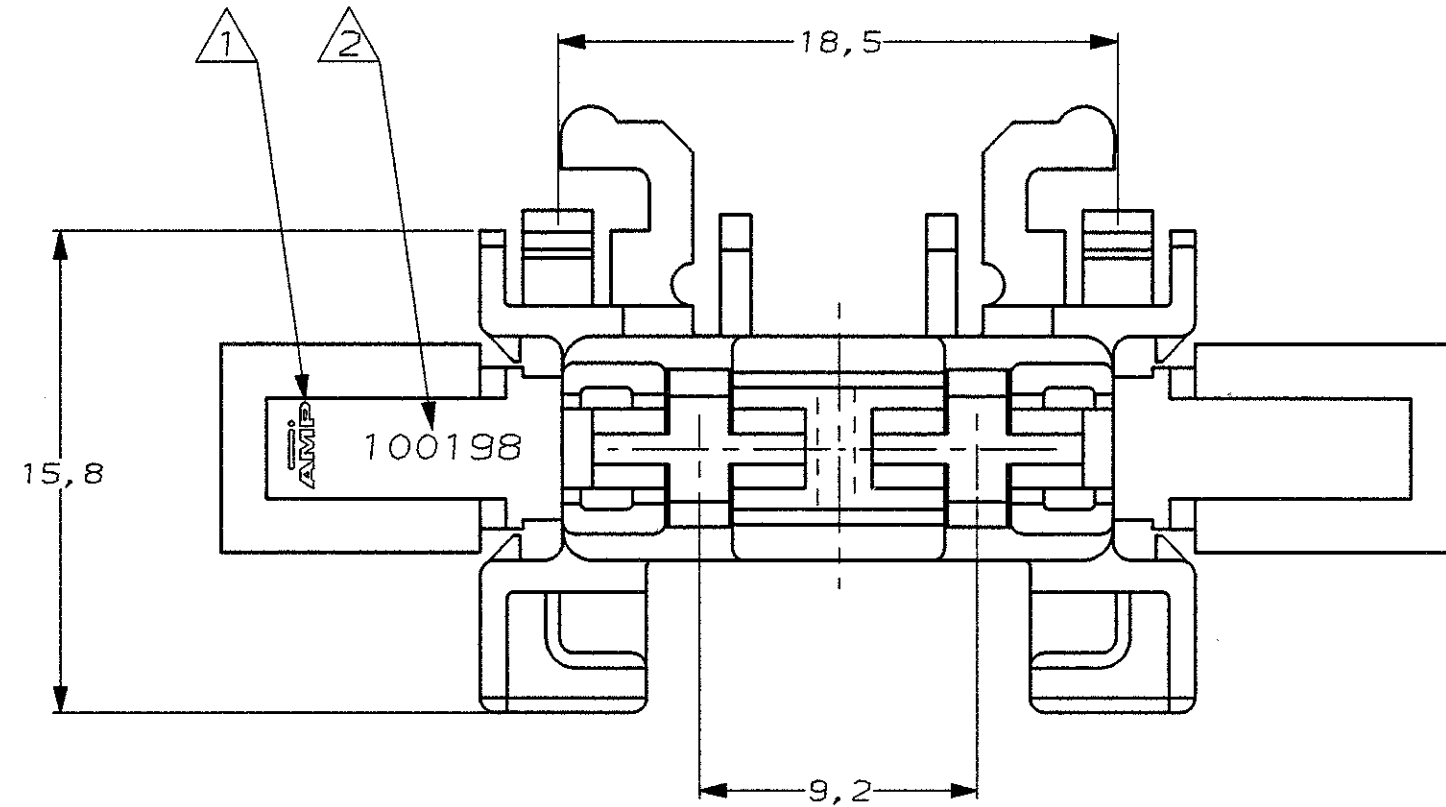


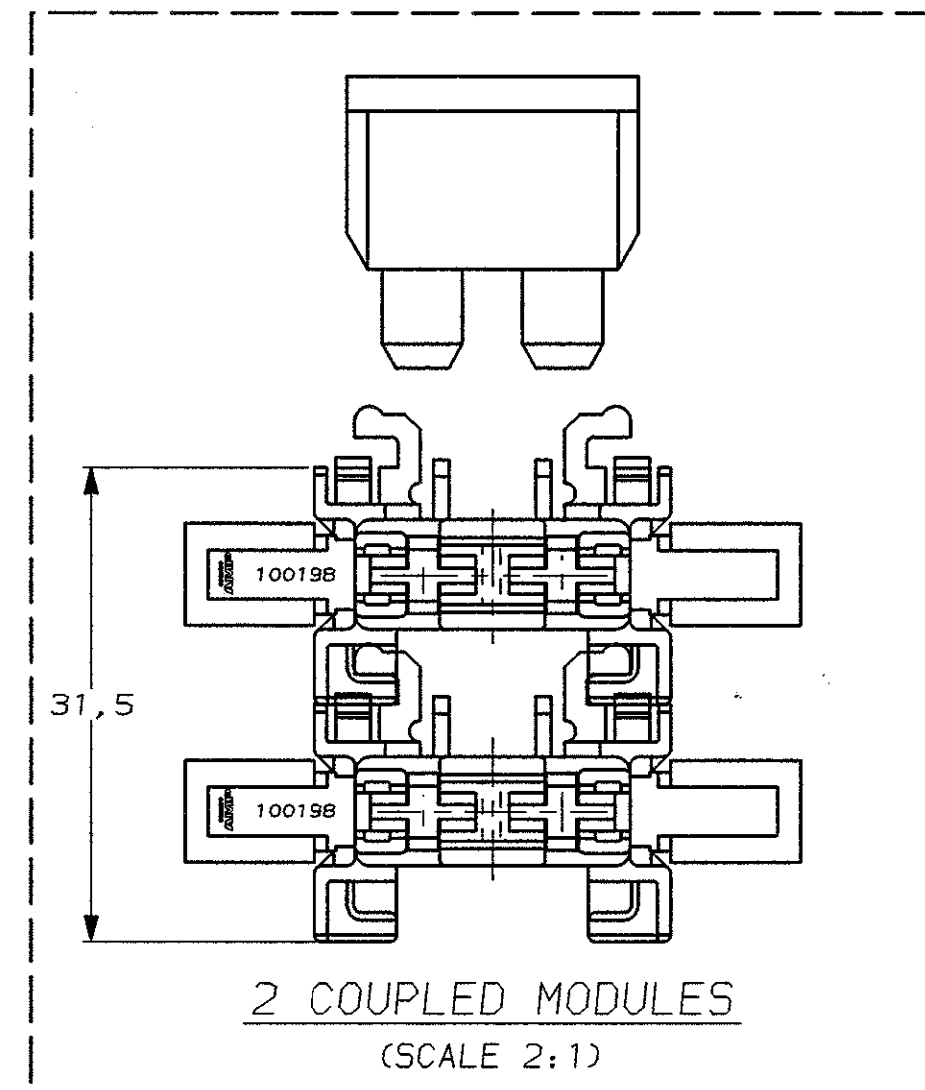
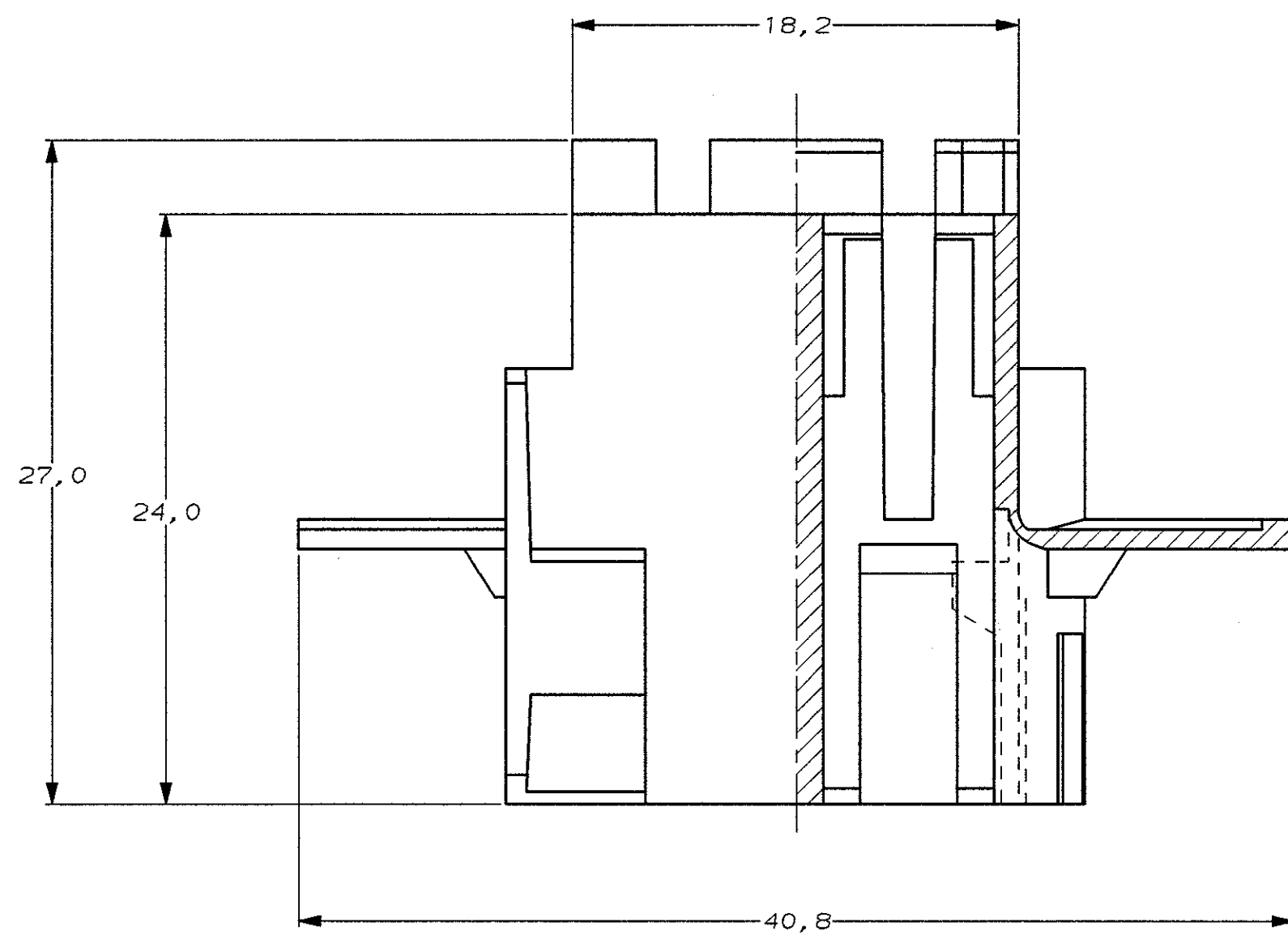
DO NOT SCALE  
DIMENSIONS IN mm

METRIC

THIRD ANGLE  
PROJECTION



DO NOT SCALE



NOTES:

- △ AMP TRADE MARK
- △ AMP PN. IDENTIFICATION

|  |                   | BLACK             | PA 6/6   | 100198-1                                  |
|--|-------------------|-------------------|----------|---|
|  |                   | FINISH            | MATERIAL | PARTNUMBER                                |
| -  | -                 | -                 | -        | -   |
| CUSTOMER DRAWING   |                   |                   |          | FOR REFERENCE ONLY<br>WILL NOT BE UPDATED |
| © COPYRIGHT 19- BY AMP-HOLLAND B.V.  |                   |                   |          |   |
| ALL INTERNATIONAL RIGHTS RESERVED. AMP PRODUCTS MAY BE COVERED BY U.S. AND FOREIGN AND/OR PATENTS PENDING. |                   |                   |          |   |
| THIS DRAWING IS UNPUBLISHED  |                   |                   |          |   |
| RELEASED FOR PUBLICATION   |                   |                   |          |   |
| D  | EH-0175-95        | JvL               | RotB     | 13 FEB 95                                 |
| C  | EH-0586-93        | JvL               | RotB     | 01 SEP 93                                 |
| B  | H-8646            | LvdH              | RotB     | 20 JUN 91                                 |
| A  | H-8646            | RotB              | RotB     | 19 DEC 90                                 |
| LTR.   | REVISION RECORD   | DR.               | CHK.     | DATE                                      |
| DR. : L.V.D.HEIJDEN  | CHK. : R.o.t.BERG | APP. : L.V.SOEST  | DWG.No.  | REV.LTR.                                  |
| DATE: 20 JUN 1991  | DATE: 20 JUN 1991 | DATE: 20 JUN 1991 | 100198   | D   |
|  |                   |                   | SHEET    | 1 OF 1                                    |
|  |                   |                   | A2       |   |