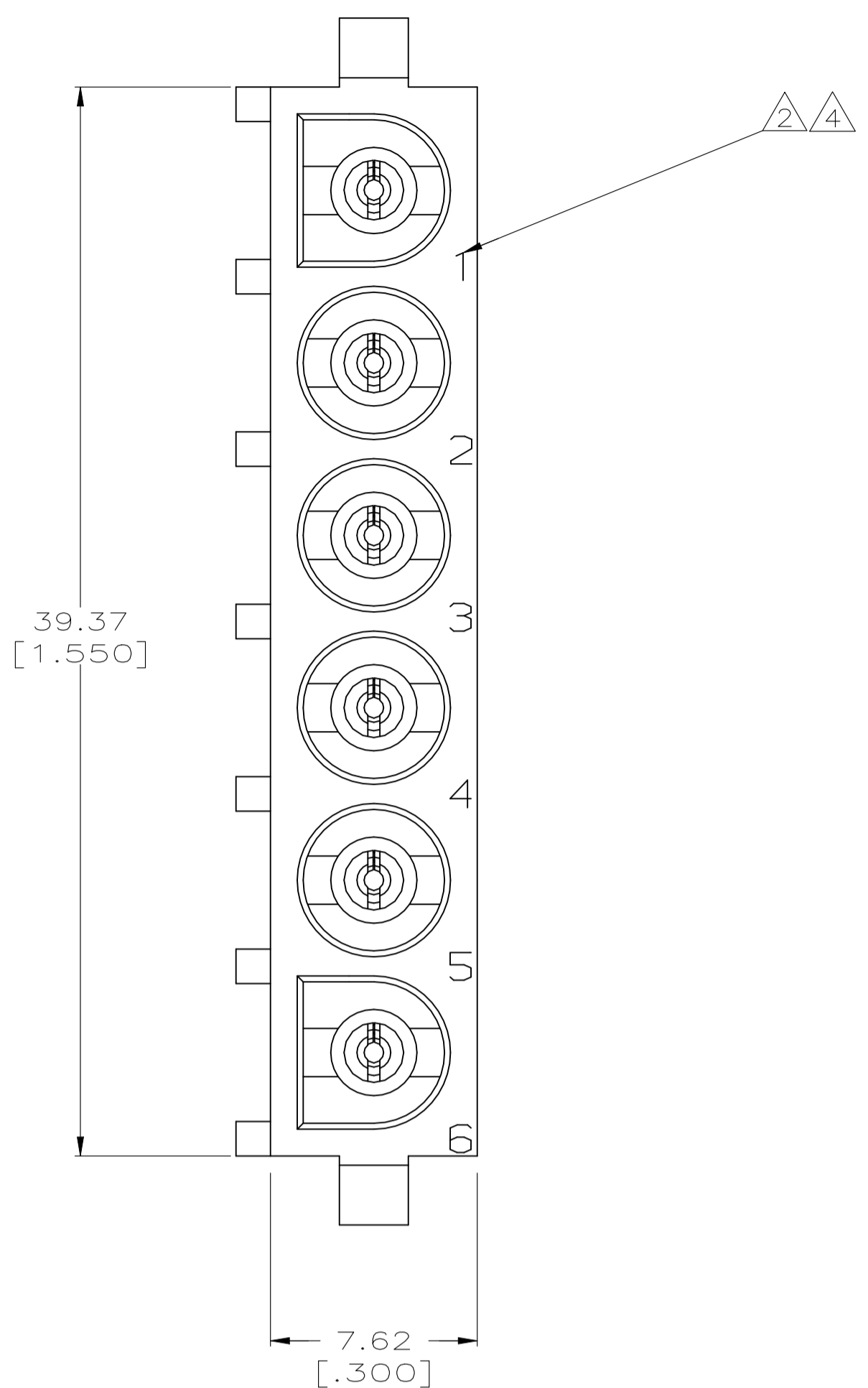
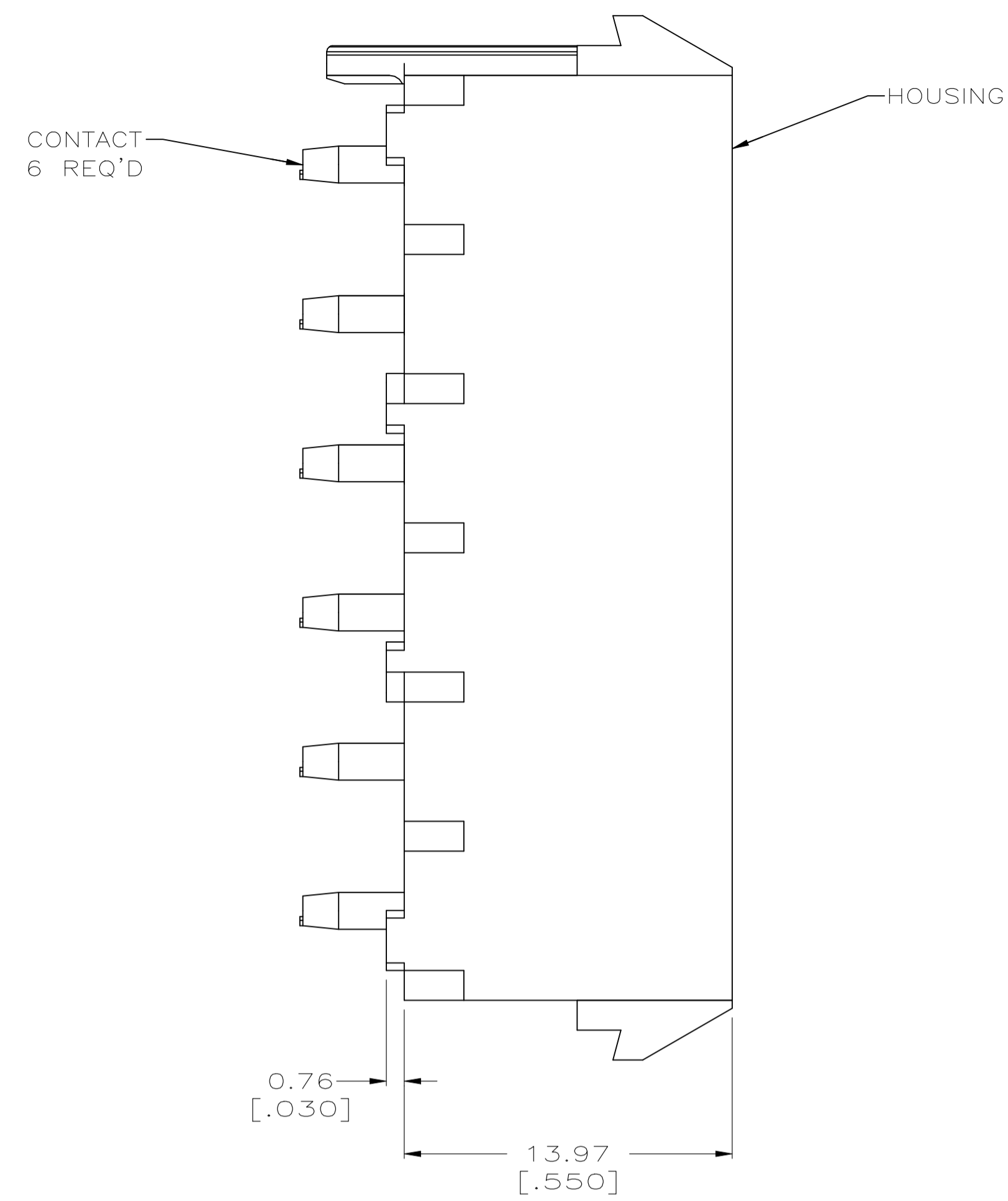
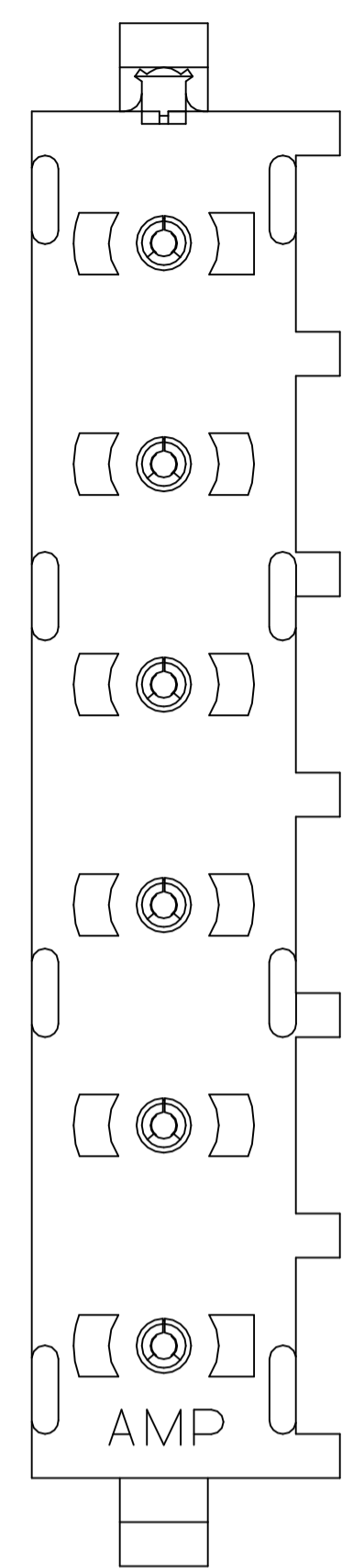
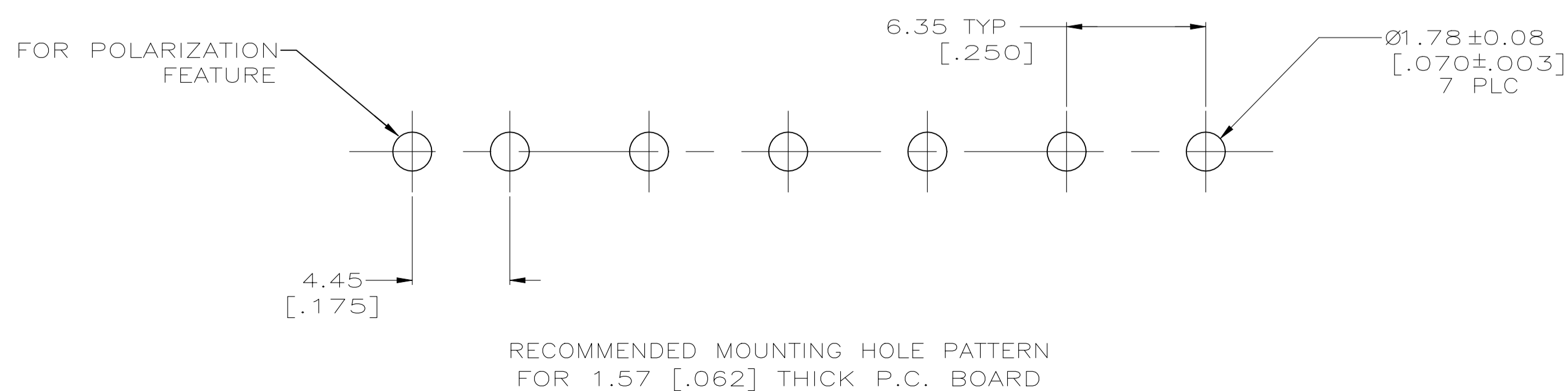
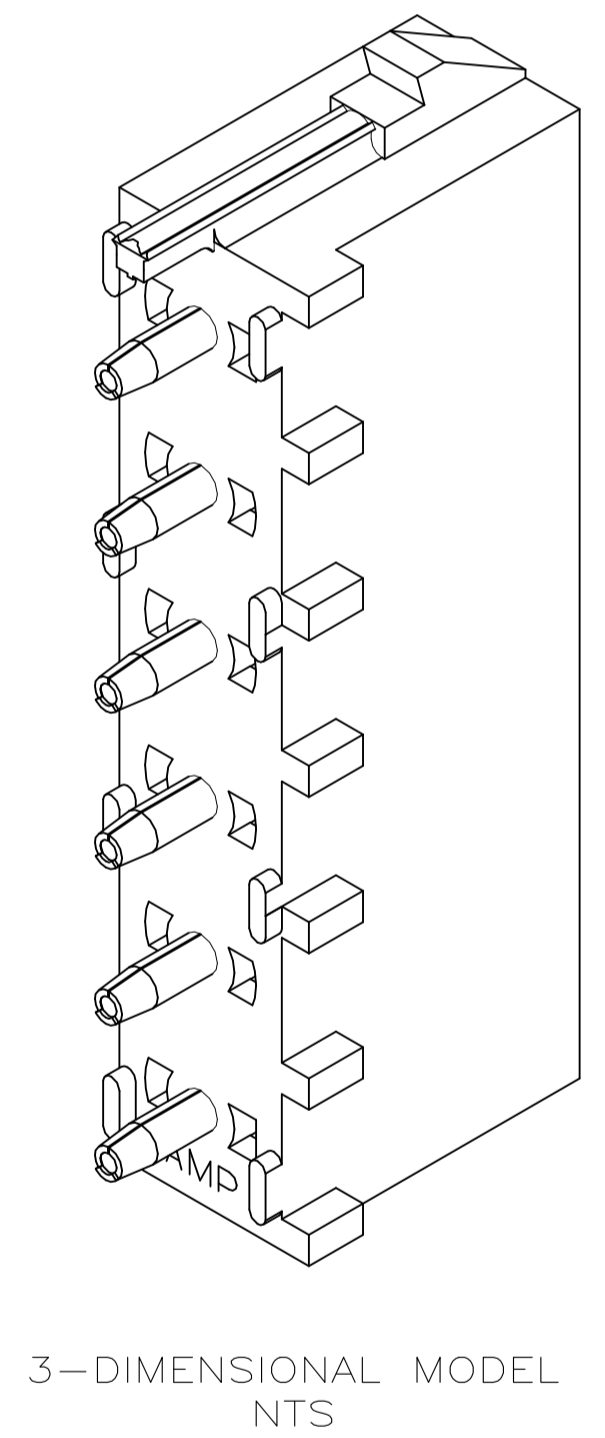
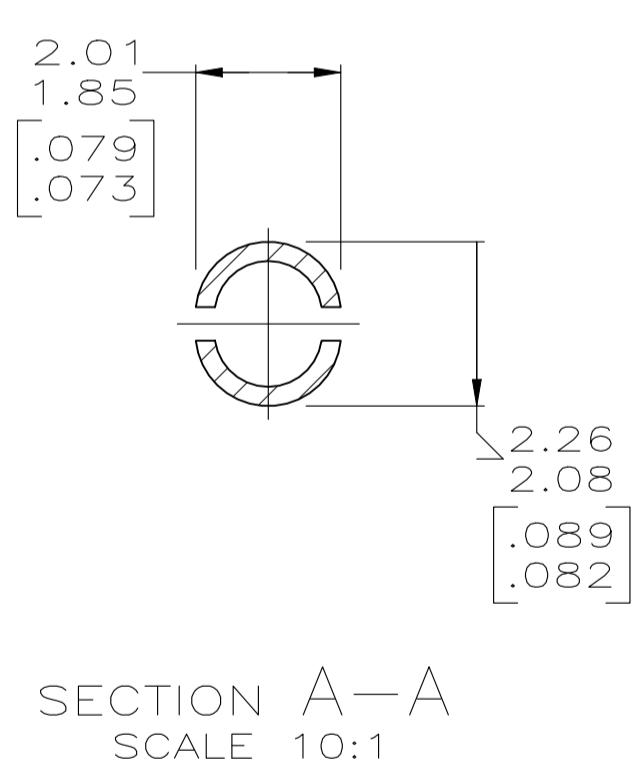
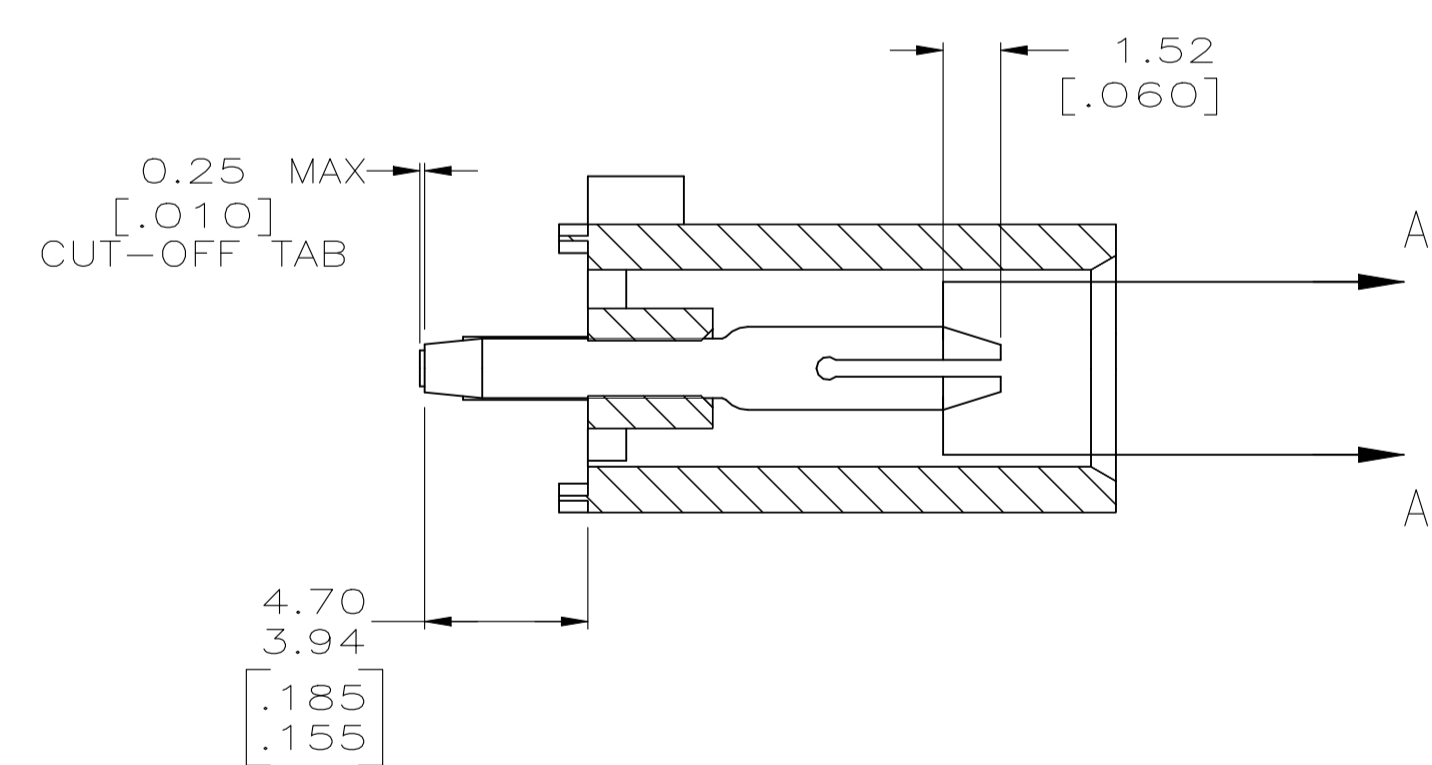


REVISIONS				
REV	DATE	DESCRIPTION	BY	APP'D
M4	08SEP2021	REVISED PER ECR-21-112682	JP	VS



- PARTS COMPLY TO AMP SOLDERABILITY SPECIFICATION 109-11-3.
- CIRCUIT IDENTIFICATION CHARACTERS ARE ADJACENT TO THE INDICATED CAVITIES, BUT LOCATION AND ORIENTATION MAY DIFFER FROM PRINT.
- DIMENSIONS IN BRACKETS ARE IN INCHES.
- IDENTIFICATION WILL APPEAR AT CIRCUIT NO. 1, OTHERS OPTIONAL.
- 0.76 MICRO-METERS [30 MICRO-INCHES] MINIMUM GOLD
- DIMENSIONS SHOWN REPRESENT PRODUCT IN DRY CONDITION. ADDITIONAL 2% GROWTH DUE TO END USE LOCATION MOISTURE ABSORPTION MAY OCCUR AND SHOULD BE ACCOUNTED FOR.



PHOSPHOR BRONZE, GOLD <sup>5</sup>	NYLON, UL94V-0, WHITE	643408-3
PHOSPHOR BRONZE, PRE-TIN	NYLON, UL94V-0, WHITE	643408-1
PIN CONTACT MATL AND FINISH	HOUSING MATERIAL	PART NO.
THIS DRAWING IS A CONTROLLED DOCUMENT.		
DIMENSIONS:	TOLERANCES UNLESS OTHERWISE SPECIFIED:	APPROVED: K. COBLE
mm [INCHES]	0 PLC ± -	NAME: PIN HEADER ASSEMBLY, POLARIZED, 6 CIRCUIT UNIVERSAL MATE-N-LOK
	1 PLC ± -	APPLICATION SPEC
	2 PLC ± 0.13 [.005]	SIZE: A1
	3 PLC ± -	CAGE CODE: 00779
	4 PLC ± -	DRAWING NO: 643408
	ANGLES ± -	RESTRICTED TO: -
MATERIAL: SEE TABLE	FINISH: SEE TABLE	WEIGHT: -
CUSTOMER DRAWING		SCALE: 5:1 SHEET 1 OF 1 REV M4