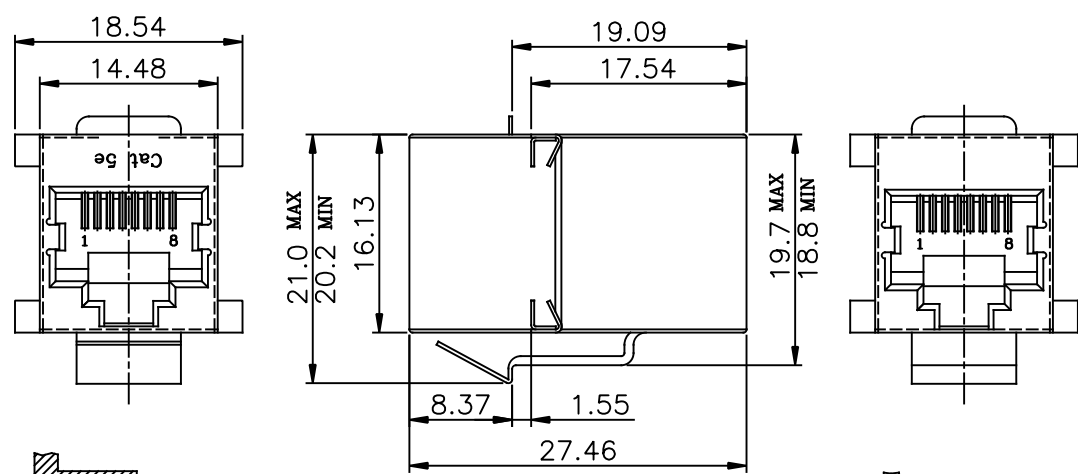


REVISIONS			
REV	DESCRIPTION, ECN, EAR NO.	DATE	APP'D
D	PROPOSAL	JUN 15/12	L.CHAN
E	PROPOSAL	NOV 23/18	L.CHAN
F	REMOVE THE LOW PLATING GOLD OPTION	SEP 16/20	L.CHAN

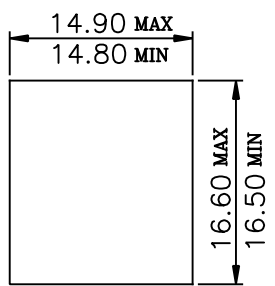
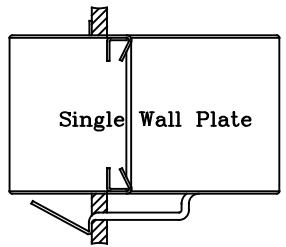
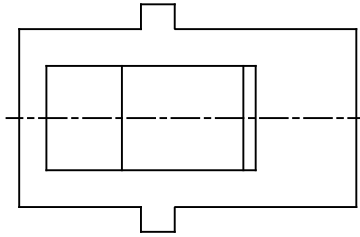
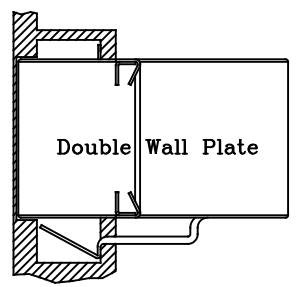


**MATERIALS:**  
**HOUSING:** ENGINEERING THERMOPLASTIC, UL 94V-0  
**COLOUR:** BLACK

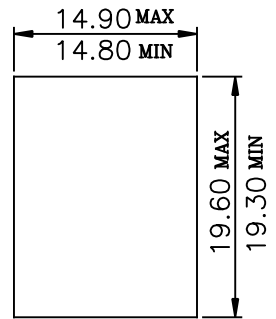
**SHIELD:** STAINLESS STEEL

**CONTACT:** PHOSPHOR BRONZE

**PLATING:**REFER TO PART NUMBER FOR GOLD THICKNESS ON MATING SURFACE  
 50u" [1.27 MICRONS]  
 MIN. NICKEL UNDERPLATE



Front Panel Jack Only Clearance  
W/O Latch Feature



Single Panel-Latch Clearance  
Panel Thickness 0.062 inch

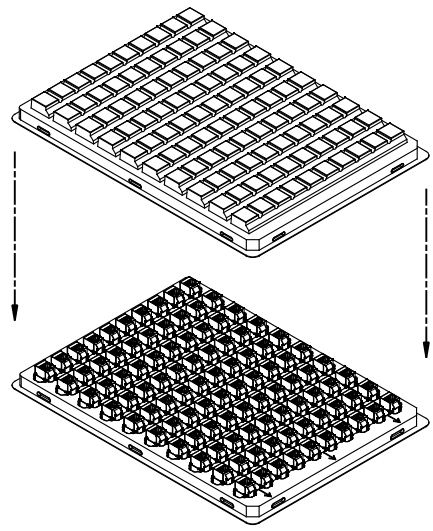
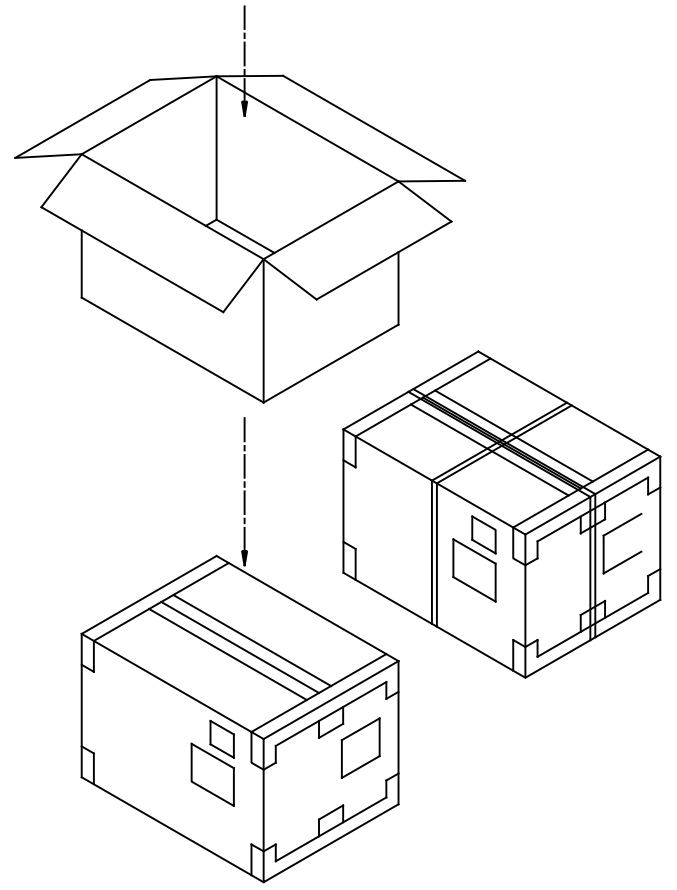
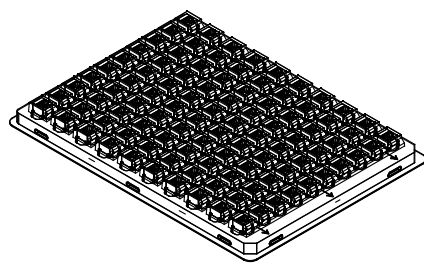
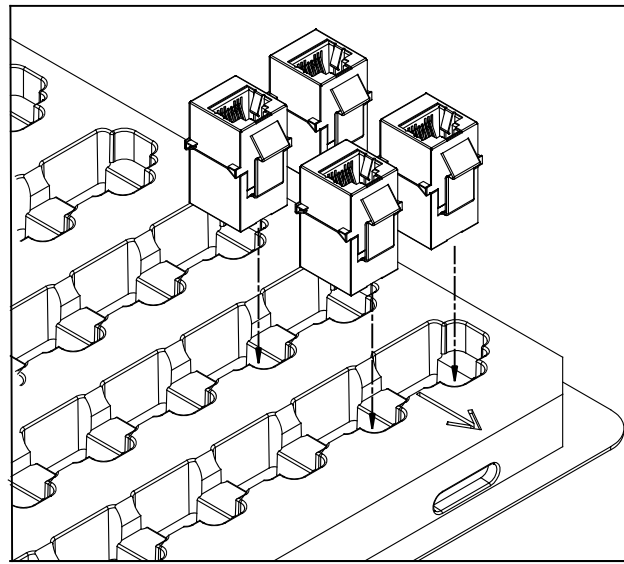
AMPHENOL PART NUMBER:  
 R J E 1 7 - 2 8 8 - 1 X 1 3

3 = 30u" GOLD  
 4 = 50u" GOLD

THIS DOCUMENT CONTAINS PROPRIETARY INFORMATION AND SUCH INFORMATION MAY NOT BE DISCLOSED TO OTHERS FOR ANY PURPOSE OR USED FOR MANUFACTURING PURPOSES WITHOUT WRITTEN PERMISSION FROM AMPHENOL CANADA CORP.

UNLESS SPECIFIED OTHERWISE		DRAWN LUO W W	DATE NOV.08/07	Amphenol Canada Corp. Commercial Products
PRIMARY UNITS MILLIMETER	CHECKED L.CHAN	M.E. APP'D	NOV.08/07	
SECONDARY INCH	Q.A. APP'D JEFF.SUN	DWG APPR. Boris.Yuan	NOV.08/07	TITLE MODULAR JACK, 8 POSITION,8 CONTACTS, WITH SHIELD, (WITH PANEL LATCH),CAT 5E - RoHS COMPLIANT
REFERENCE IN PARENTHESES	ENG. REL. NO.	REF.	DWG. NO.	P-RJE17-288-1X13
GENERAL TOLERANCES	1 DECIMAL PLACE ±0.30	2 DECIMAL PLACES ±0.25	3 DECIMAL PLACES ±0.20	ANGULAR DEGREES ±1.0°
THIRD ANGLE PROJECTION				DO NOT SCALE DRAWING
CODE ID NO. 03554 DWG SIZE: C SCALE: N/A			SHEET 1 OF 2	REV F

REVISIONS			
REV	DESCRIPTION, ECN, EAR NO.	DATE	APP'D
D	PROPOSAL	JUN 15/12	L.CHAN
E	PROPOSAL	NOV 23/18	L.CHAN
F	REMOVE THE LOW PLATING GOLD OPTION	SEP 16/20	L.CHAN



**NOTES:**

1. 100 CONNECTORS PER TRAY,
2. 10 TRAYS PER CARTON
3. 1000 CONNECTORS PER CARTON.

THIS DOCUMENT CONTAINS PROPRIETARY INFORMATION AND SUCH INFORMATION MAY NOT BE DISCLOSED TO OTHERS FOR ANY PURPOSE OR USED FOR MANUFACTURING PURPOSES WITHOUT WRITTEN PERMISSION FROM AMPHENOL CANADA CORP.

UNLESS SPECIFIED OTHERWISE		DRAWN LUO W W	DATE NOV.08/07
PRIMARY UNITS	MILLIMETER	CHECKED L.CHAN	NOV.08/07
SECONDARY	INCH	M.E. APP'D	
REFERENCE IN PARENTHESES		Q.A. APP'D JEFF.SUN	NOV.08/07
GENERAL TOLERANCES		DWG APPR. Boris.Yuan	NOV.08/07
1 DECIMAL PLACE	±0.30	ENG. REL. NO.	
2 DECIMAL PLACES	±0.25	REF.	
3 DECIMAL PLACES	±0.20	THIRD ANGLE PROJECTION	DO NOT SCALE DRAWING
ANGULAR DEGREES	±1.0°		

<b>Amphenol Canada Corp.</b> Commercial Products			
TITLE MODULAR JACK, 8 POSITION,8 CONTACTS, WITH SHIELD, (WITH PANEL LATCH),CAT 5E - RoHS COMPLIANT			
DWG. NO.	P-RJE17-288-1X13		
REV	F		
CODE ID NO.	DWG SIZE:	SCALE:	SHEET 2 OF 2
03554	C	N/A	