

4

3

2

1

THIS DRAWING IS UNPUBLISHED.

RELEASED FOR PUBLICATION

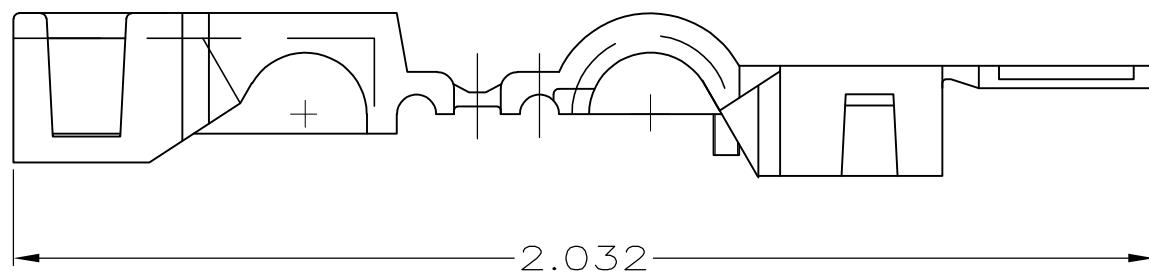
--

REVISIONS

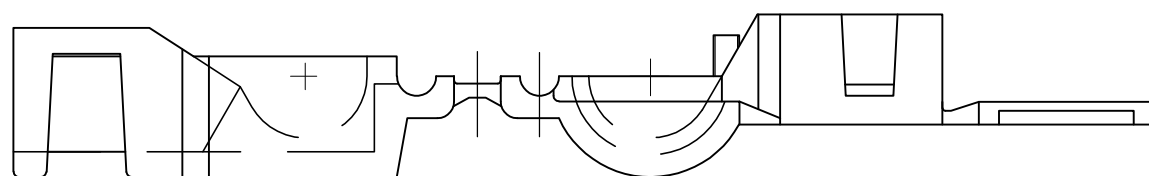
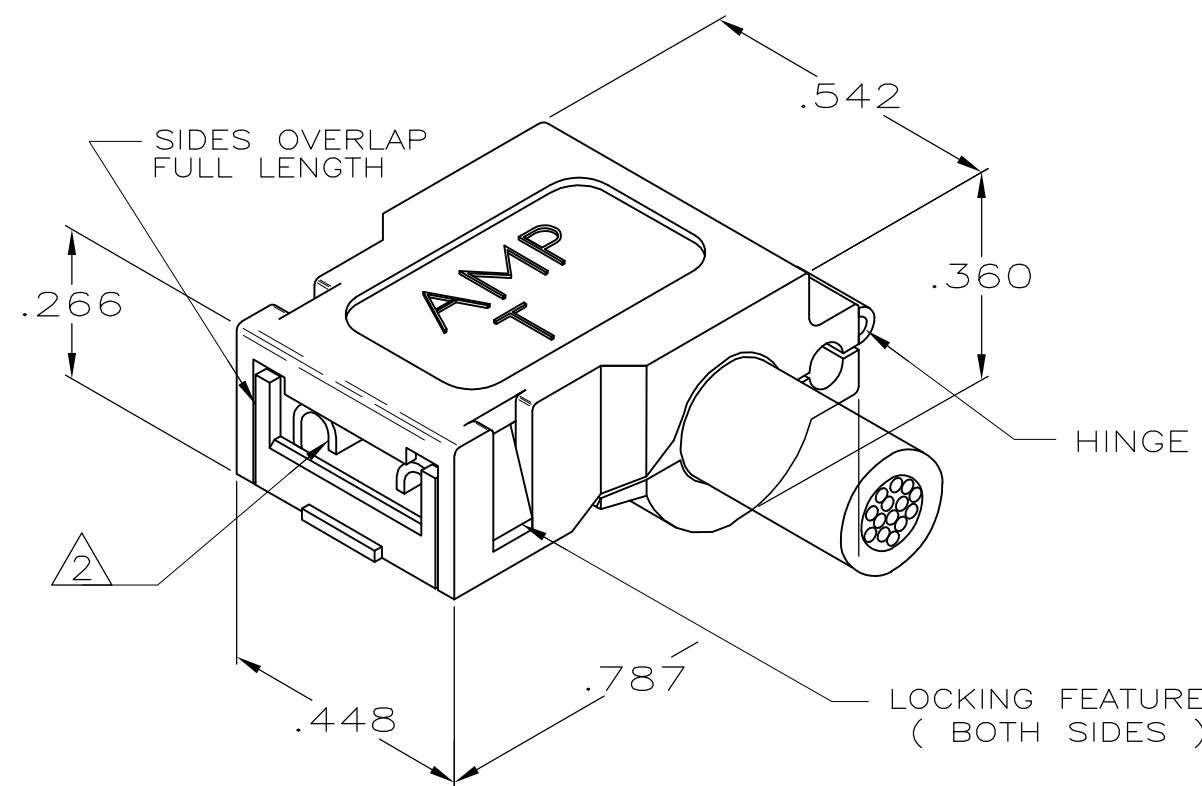
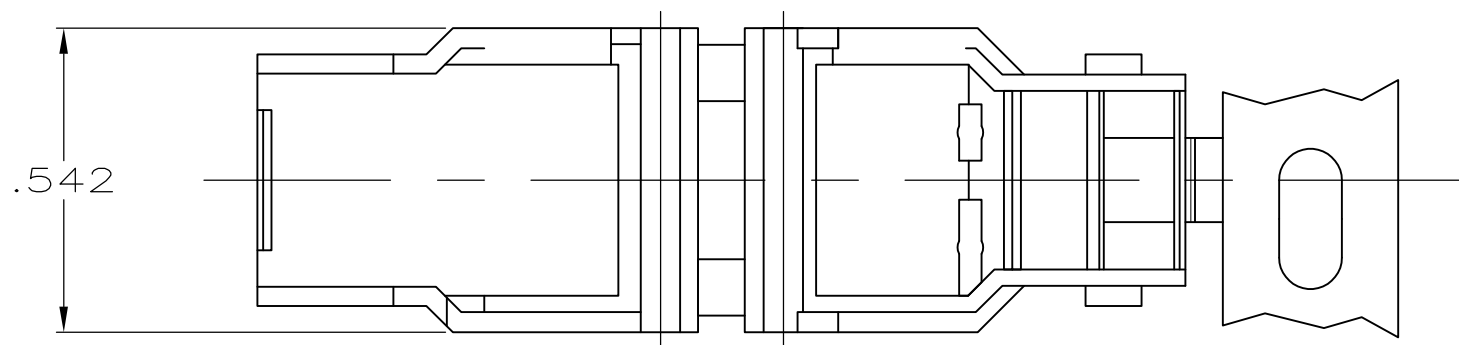
© COPYRIGHT - By -TE

ALL RIGHTS RESERVED.

P	LTR	DESCRIPTION	DATE	DWN	APVD
	R	REVISED PER ECO-16-018732	06FEB17	RS	DH




- 1 CONTINUOUS STRIP ON REELS.
- 2 THIS PART ACCEPTS .250 SERIES FASTON FLAG RECEPTACLES PART NUMBERS 41531, 41532, 42511, 60641 AND 60645.
- 3 SEE CP-23587 FOR RECOMMENDED TAB DETAILS.
- 4 UL RATING OF 125° C
- 5 MAX INSULATION IS .210.



OBSOLETE 1-480298-0

PART NO.

THIS DRAWING IS A CONTROLLED DOCUMENT.		DWN JR RUTH 1/24/97	 <b>TE Connectivity</b>														
DIMENSIONS: INCHES		CHK MS FEHER 1/24/97															
TOLERANCES UNLESS OTHERWISE SPECIFIED:		APVD R BEAVER 1/24/97	NAME INSULATION POD, AMPIP-POST														
<table border="0"> <tr> <td>0 PLC</td> <td>± -</td> </tr> <tr> <td>1 PLC</td> <td>± -</td> </tr> <tr> <td>2 PLC</td> <td>± -</td> </tr> <tr> <td>3 PLC</td> <td>± .015</td> </tr> <tr> <td>4 PLC</td> <td>± -</td> </tr> <tr> <td>ANGLES</td> <td>± -</td> </tr> </table>		0 PLC	± -	1 PLC	± -	2 PLC	± -	3 PLC	± .015	4 PLC	± -	ANGLES	± -	PRODUCT SPEC -	APPLICATION SPEC -		
0 PLC	± -																
1 PLC	± -																
2 PLC	± -																
3 PLC	± .015																
4 PLC	± -																
ANGLES	± -																
MATERIAL 6/6 NYLON	FINISH NATURAL	WEIGHT 0.000000	SIZE A3	CAGE CODE 00779	DRAWING NO C-480298												
CUSTOMER DRAWING			SCALE 4:1	SHEET 1 OF 1	RESTRICTED TO -												
			REV R														