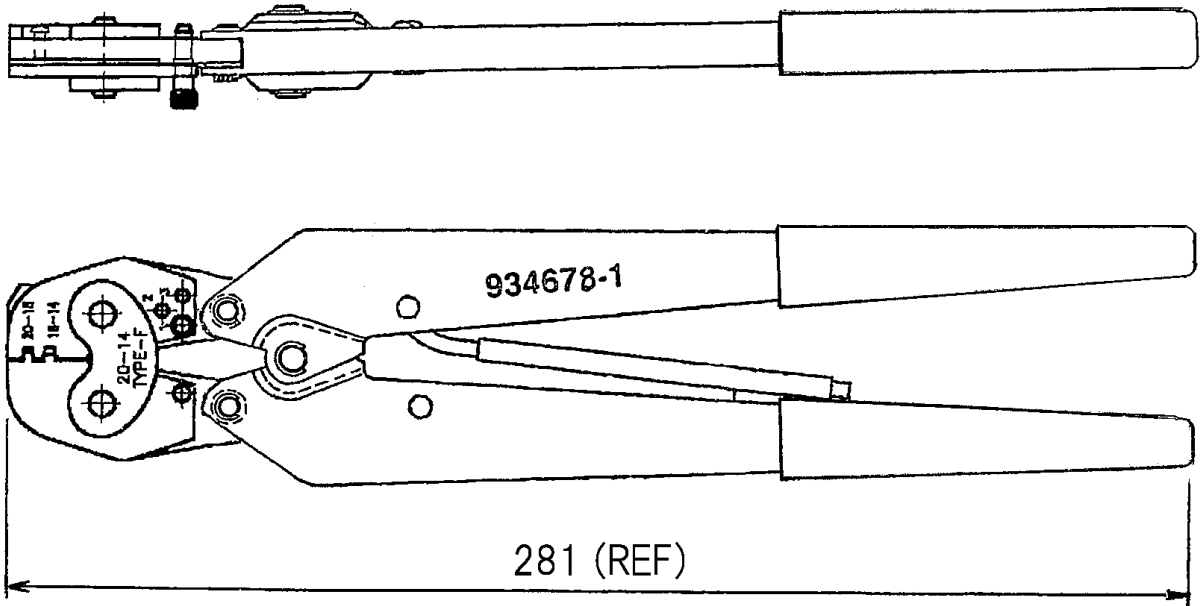


LOC J	DIST —	REVISIONS 変更			DATE	DWN	APVD
		P	LTR	DESCRIPTION			
		C		ECR-15-008109 CORRECTED	29MAY2015	S.N	S.Y



CRIMP SYMBOL	TERMINAL NO		WIRE SIZE (mm ²)	INSUL SIZE (mm)	TERMINAL C/H(mm)		TERMINAL SPEC	IS NO.
	L.P.				WIRE	INS		
圧着部 記号	適用端子		適用電線 (mm ²)	絶縁被覆径 (mm)	芯線部圧着高さ (mm)		圧着規格	IS 番号
	バラ状				WIRE	INS		
20-18	170054	179461-5	# 20 (0.50-0.56)	2.1-2.8	1.07-1.23	—	114- 5052	411- 5681
			# 18 (0.75-0.89)		1.07-1.31			
16-14			# 16 (1.25-1.42)	2.4-3.4	1.29-1.48	—		
			# 14 (2.00-2.27)		1.29-1.73			


RELEASED FOR PUBLICATION

ALL RIGHTS RESERVED.

Tyco Electronics Japan Co., Ltd.

COPYRIGHT

THIS DRAWING IS UNPUBLISHED.

DIMENSIONS: 単位: 耗 mm	DWN (R. SUZUKI) 13.NOV.1997	MATERIAL 材料	FINISH 仕上	
	CHK K. SHIMADA 13.NOV.1997	 TE Connectivity		
TOLERANCES UNLESS OTHERWISE SPECIFIED: 一般公差	APVD S. YABE 13.NOV.1997			NAME 名称
0 PLC ± - 1 PLC ± - 2 PLC ± - 3 PLC ± - 4 PLC ± - ANGLES ± -	PRODUCT SPEC 製品規格	DOUBLE ACTION HAND TOOL ASS'Y		
	APPLICATION SPEC 取付適用規格	SIZE A4	CAGE CODE 00779	DRAWING NO 番号 934678-1
WEIGHT			RESTRICTED TO	
CUSTOMER DRAWING		SCALE 尺度	SHEET 1 OF 1	REV C