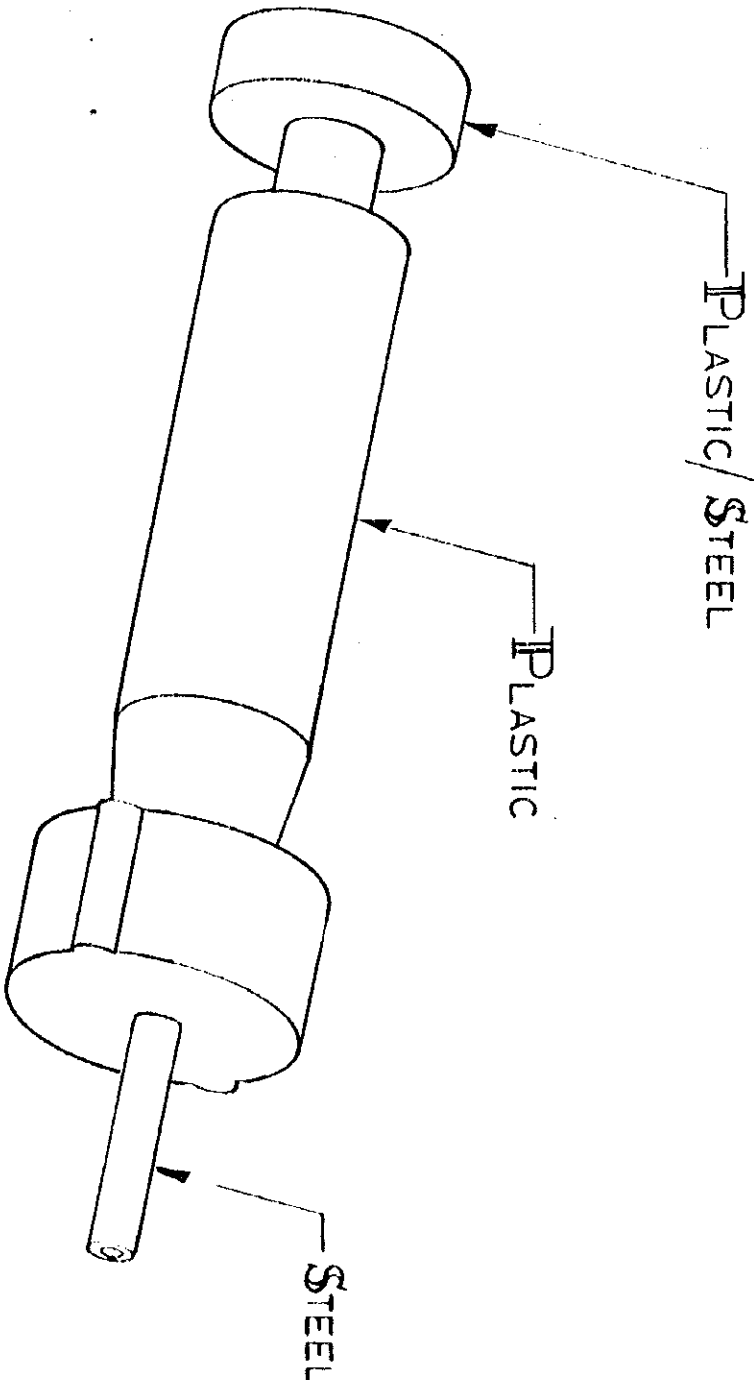


5

TOOL NUMBER	TERMINAL	REMOVES		
		FROM	HOUSING	
455822-1	61061		480408	
	61062		480409	
	61063		480420	
	61064		480421	
			480422	
			480423	
			480451	
			480452	
	455822-2	61445		480489
		61670		480490
350018			480494	
350019			480495	
350171			480496	
350183			480497	
		480589	480589	
		480590	480590	
		480591	480591	
		480592	480592	
		480606	480606	
		480607	480607	
		480608	480608	
		480609	480609	
		480610	480610	
		480611	480611	
		480612	480612	
		480613	480613	
		480616	480616	
			480617	
			480618	
			480619	
			480620	
			480621	
			480624	
			480625	
			480626	
			480627	
			480654	
			480655	
			480656	
			480657	
			480658	
			480659	
			480660	
			480661	
			480662	
			480663	



Unpublished copy not to be reproduced nor published without written permission of AMP Incorporated

PRINT DIST

DIMENSIONS IN INCHES. DO NOT SCALE PRINT.

AMP 1253 REV 11/65

7

6

5

4

3

2

1

CL	REV	DATE	BY	CHK	DATE
01	1	11/10/71	W.M. KISSINGER		

NUMBER 455822

DR	CHK	DATE
W.M. KISSINGER		11/10/71

DR W.M. KISSINGER
CHK W.M. KISSINGER
DATE 11/10/71

TOOL, EXTRACTION

AMP AMP INCORPORATED
MATERIAL AND FINISH
SEE NOTES
WIRE - RANGE - INSULATION
TOLERANCE EXCEPT AS NOTED
SCALE NTS
LOC A
TYPE B
PINS AND SOCKETS
NO 455822
REV 01

CUSTOMER COPY
REFERENCE ONLY