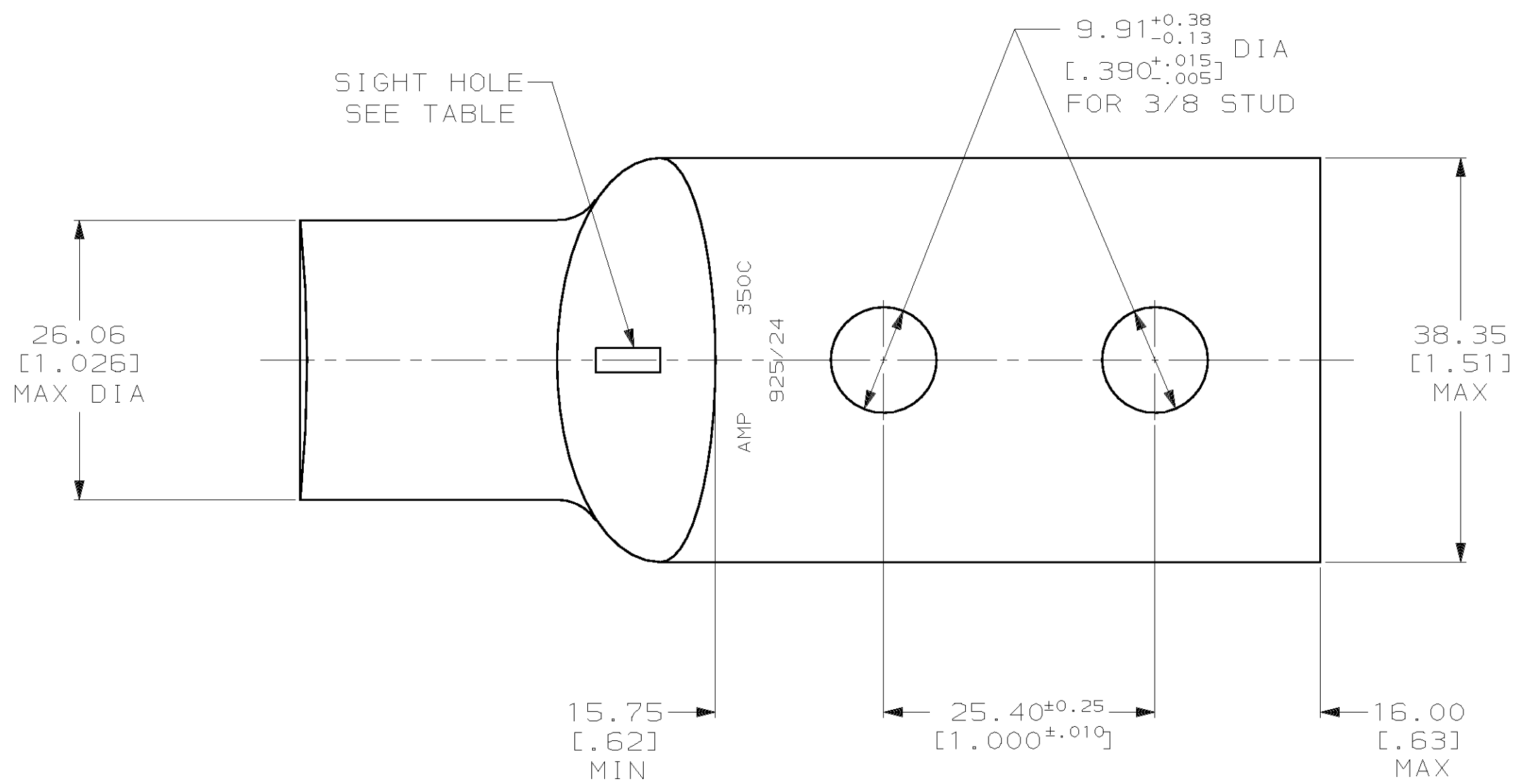
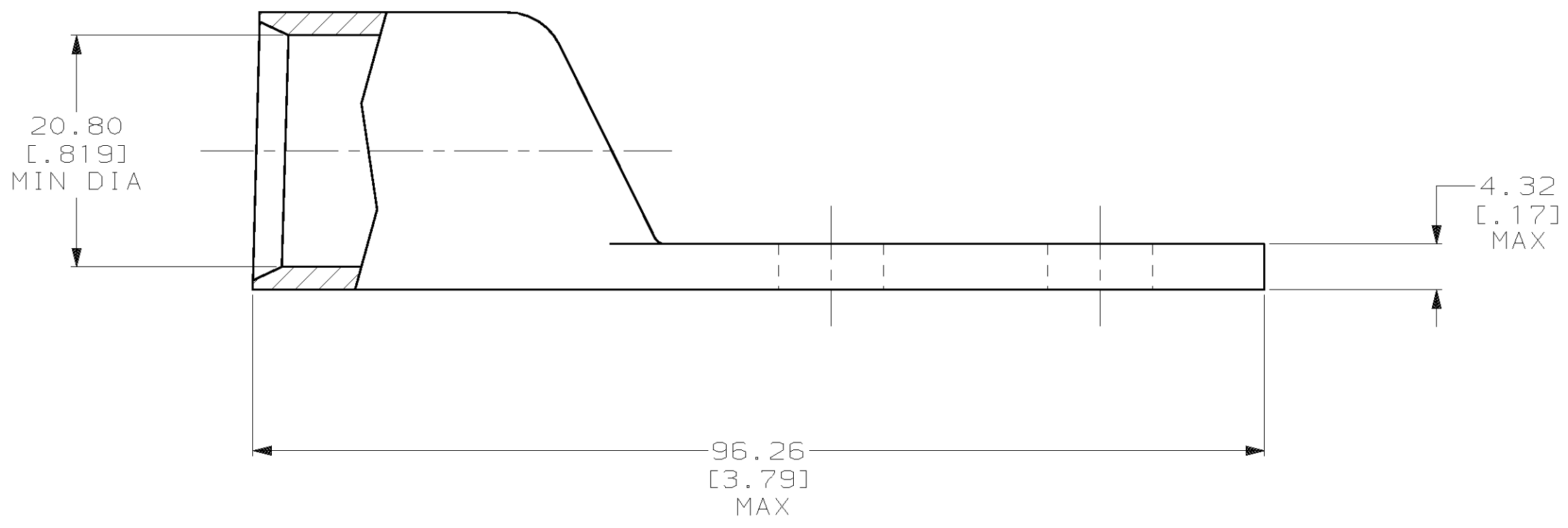


THIS DRAWING IS UNPUBLISHED. RELEASED FOR PUBLICATION, 19 .
 © COPYRIGHT 19 BY AMP INCORPORATED. ALL INTERNATIONAL RIGHTS RESERVED.

LOC		DIST		REVISIONS				DATE	APPD
ZONE	LTR	DESCRIPTION	DATE	APPD					
G	86	P	F	U	REV PER 063A-0561-01	090CT02	JR/MS		



1 CIRCULAR MIL AREA RANGE: 325-375 MCM
 2 TIN PL 0.00381 [0.00150] MIN THK PER MIL-T-10727



NONE	326806-1
REQUIRED	326806
SIGHT HOLE	PART NO

DO NOT SCALE PRINT. UNLESS SPECIFIED DIMENSIONS IN mm [INCHES] TOLERANCES ON : 2 PLC DEC ± 0.51 [.020] 3 PLC DEC ± - ANGLES ± -	DR 02/28/90 DK SCHRUM
MATERIAL ANNEALED COPPER ASTM B-75	CHK 23JAN95 MS FEHER
FINISH △	APPD 23JAN95 WJ VOCKROTH
	APPD 23JAN95 TL SHUTTER
	PRODUCT SPEC 108-30200
	APPLICATION SPEC -
	WEIGHT .259 LB

AMP INCORPORATED Harrisburg, Pa. 17105		
NAME TERMINAL, AMPPOWER™ WIRE SIZE: 350 MCM		
SIZE C	CAGE CODE 00779	DRAWING NO 326806
SCALE 2:1	SHEET 1 OF 1	

METRIC