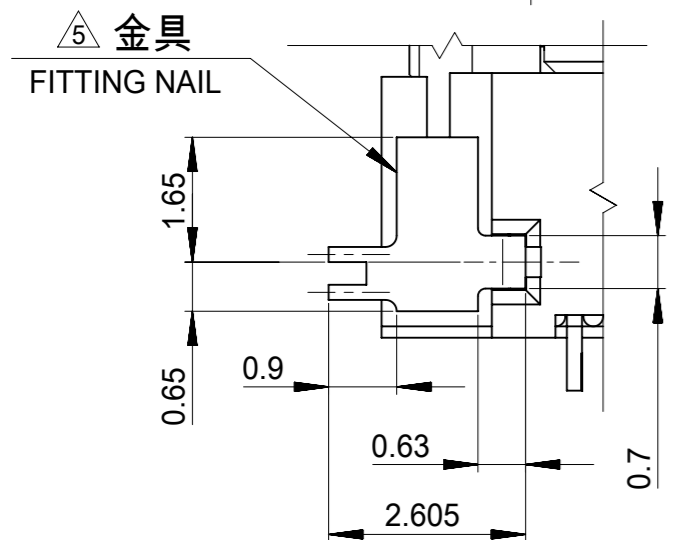
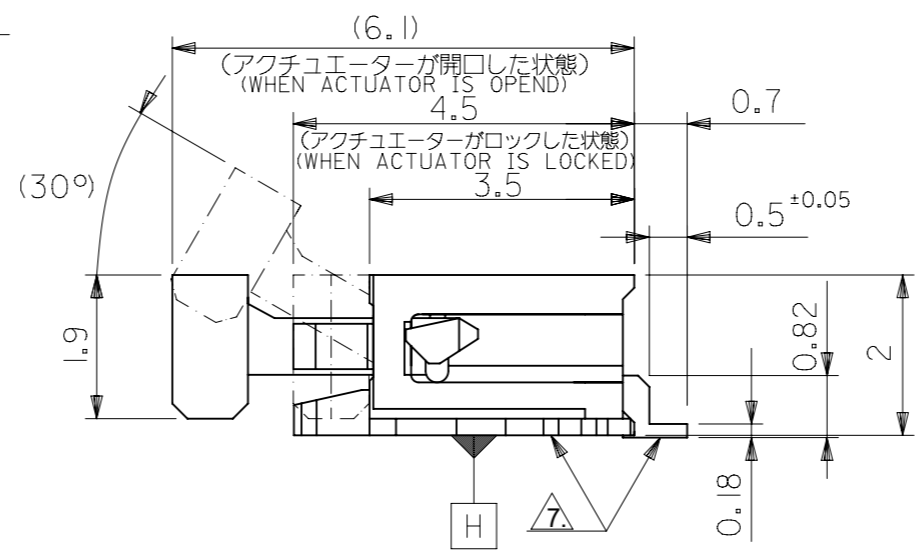
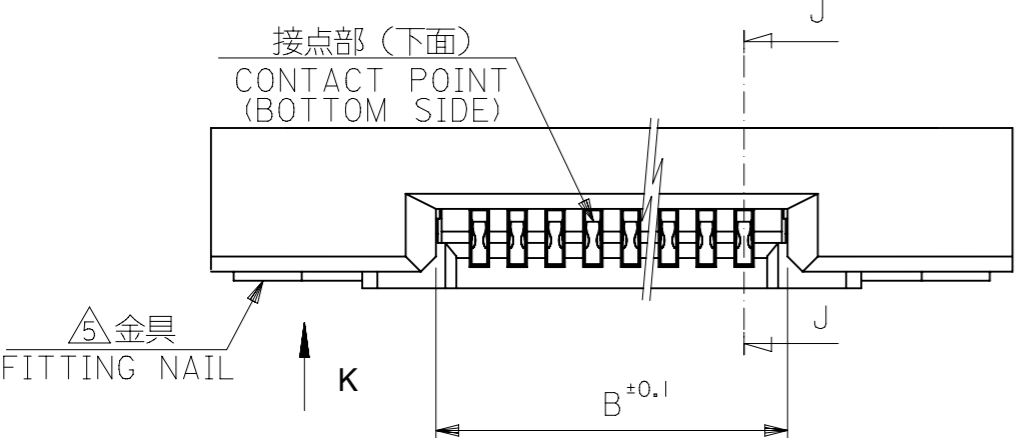
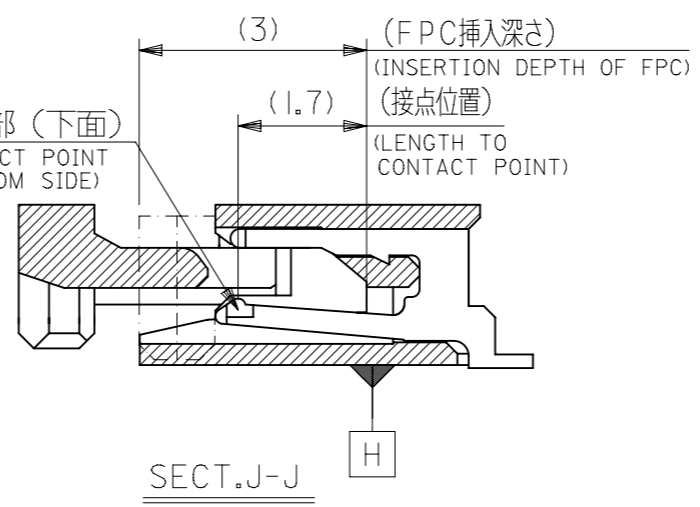
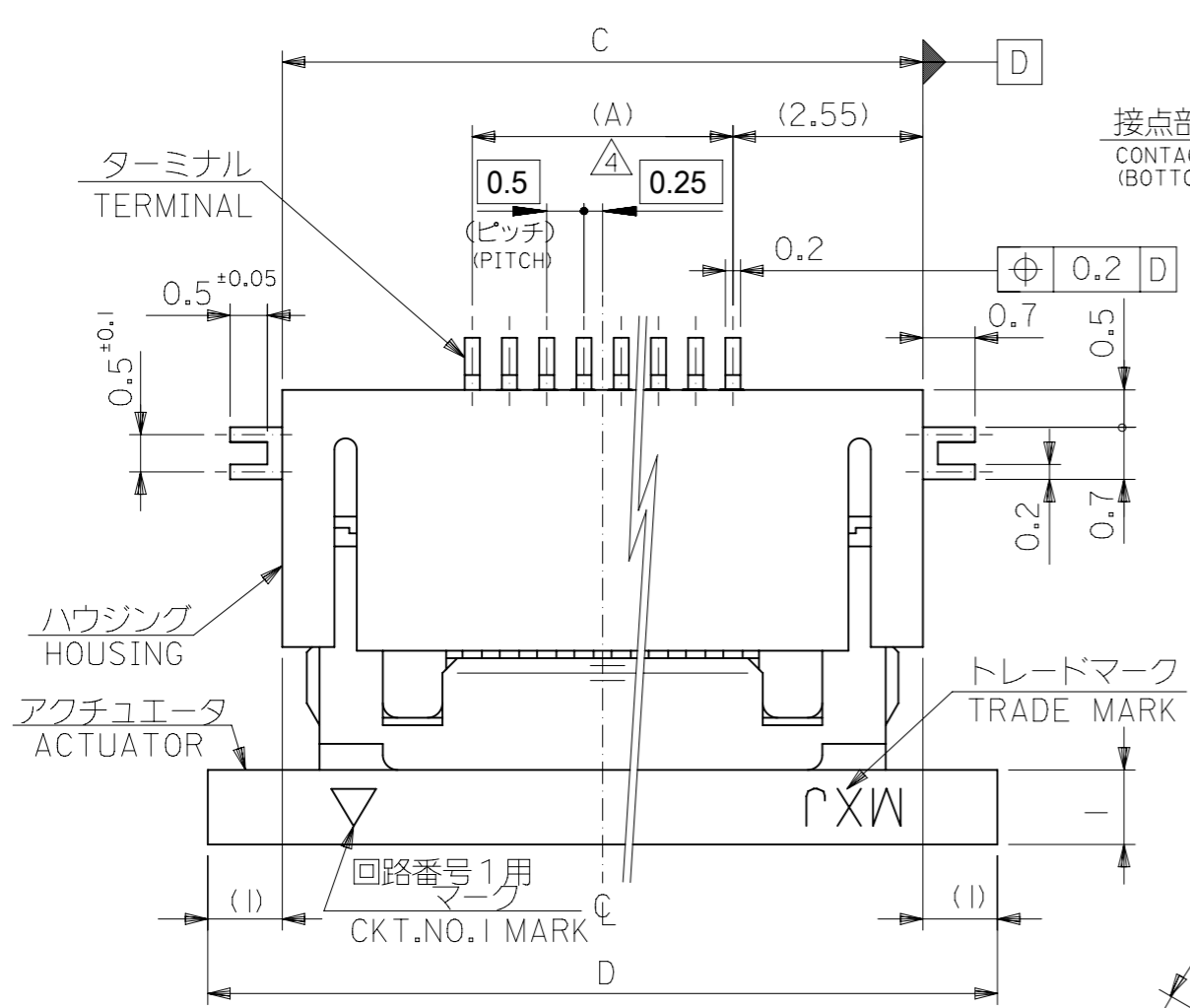


NOTES

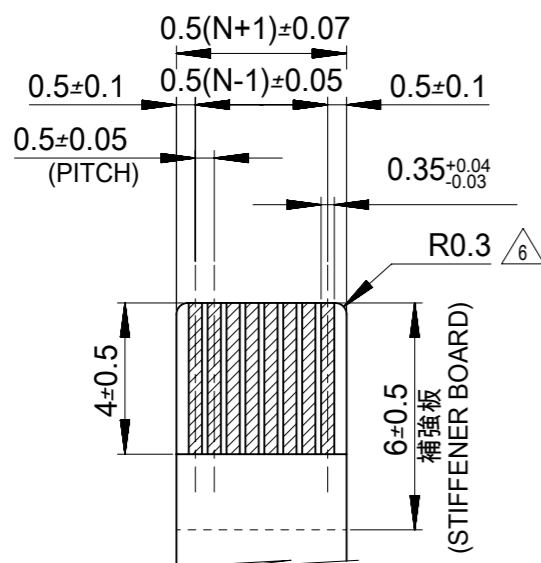
- 1.使用材料 MATERIAL
 ハウジング: ポリアミド(PA)、ナチュラル(白色)、ガラス充填、UL94V-0
 HOUSING: POLYAMIDE NATURAL(WHITE)、GLASS FILLED,UL94V-0
 アクチュエータ: ポリフェニレンサルファイド(PPS)、ナチュラル(茶色)、ガラス充填、UL94V-0
 ACTUATOR: PPS,NATURAL(BROWN),GLASS FILLED,UL94V-0
 ターミナル: リン青銅(t=0.2)
 TERMINAL: PHOSPHOR BRONZE(t=0.2)
 金具: リン青銅(t=0.2)
 FITTING NAIL: PHOSPHOR BRONZE(t=0.2)
- 2.メッキ仕様 PLATING
 ターミナル TERMINAL
 錫銀ビスマスメッキ (1.0μm以上)
 TIN SILVER BISMUTH PLATING (1.0 MICROMETER MINIMUM)
 下地メッキ: ニッケルメッキ (1.0μm以上)
 UNDER PLATING: NICKEL PLATING (1.0 MICROMETER MINIMUM)
 金具 NAIL
 錫メッキ (1.0μm以上)
 TIN PLATING (1.0 MICROMETER MINIMUM)
 下地メッキ: ニッケルメッキ (1.0μm以上)
 UNDER PLATING: NICKEL PLATING (1.0 MICROMETER MINIMUM)
- 3.エンボステープ梱包時は、アクチュエータがロックした状態になります。
 IN THE PACKAGE,ACTUATOR OF PART NO.52437-**22 SHOULD BE LOCKED.
- 4.偶数極に適用
 APPLY FOR EVEN CIRCUIT.
- 5.パター剥離止め金具
 FITTING NAIL FOR PREVENTION OF PEELING OF P.W.B. PATTERN.
- 6.R0.3は、FPCの導体部にかからないこと
 R0.3 MUST NOT BE OVERLAPED TO PATTERN OF FPC.
- 7.ソルダータール半田付け面のズレ量、及び金具半田付け面のズレ量は、基準面 H に対して上方向に0.1MAXIMUM、下方向に0.15MAXIMUMとする。
 MISALIGNMENT OF SOLDER TAILS AND FITTING NAILS FROM DATUM H. UPPER DIRECTION : 0.1 MAXIMUM LOWER DIRECTION : 0.15MAXIMUM
- 8.ELV及びRoHS適合品
 ELV AND RoHS COMPLIANT



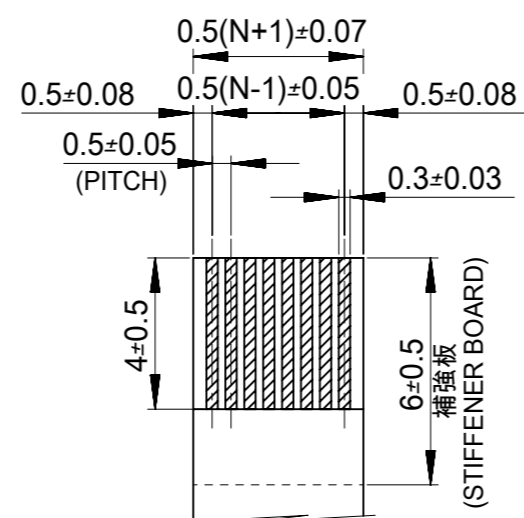
24.1	22.1	18.15	17.0	52437-3533	35
21.6	19.6	15.65	14.5	52437-3033	30
21.1	19.1	15.15	14.0	52437-2933	29
20.6	18.6	14.65	13.5	52437-2833	28
20.1	18.1	14.15	13.0	52437-2733	27
19.6	17.6	13.65	12.5	52437-2633	26
19.1	17.1	13.15	12.0	52437-2533	25
18.6	16.6	12.65	11.5	52437-2433	24
18.1	16.1	12.15	11.0	52437-2333	23
17.6	15.6	11.65	10.5	52437-2233	22
17.1	15.1	11.15	10.0	52437-2133	21
D	C	B	(A)	EMBOSSED PACKAGE	極数
ORDER No. オーダー番号					CKT.

CONNECTOR SERIES NO. : 52437-**22

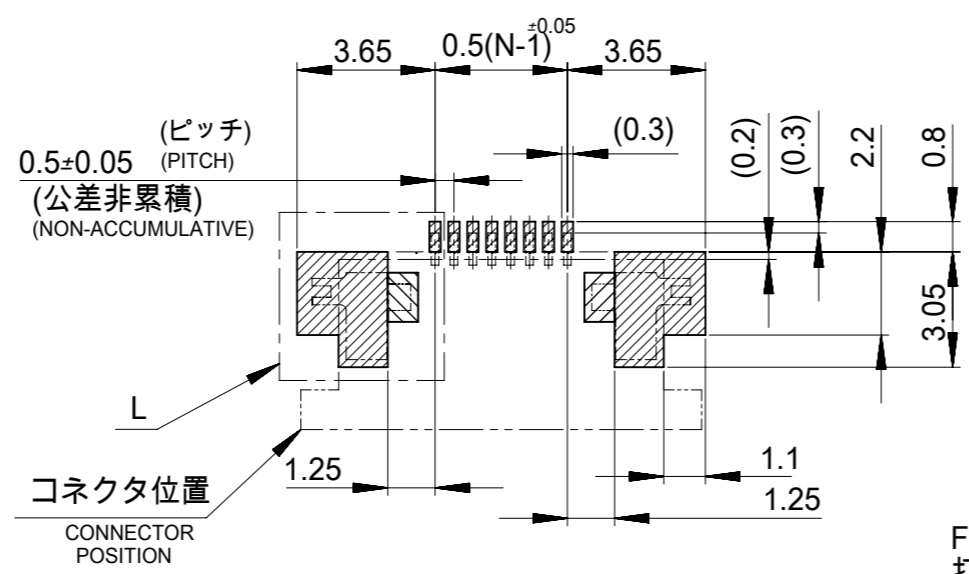
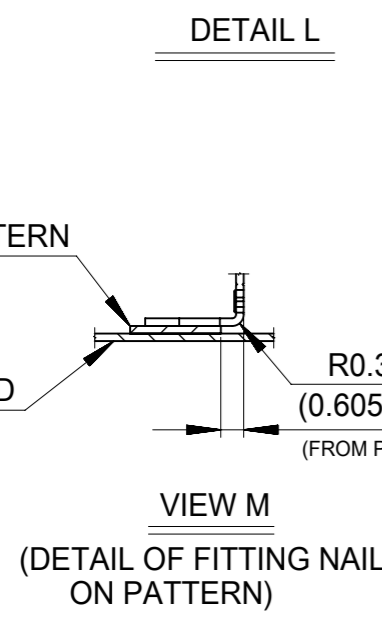
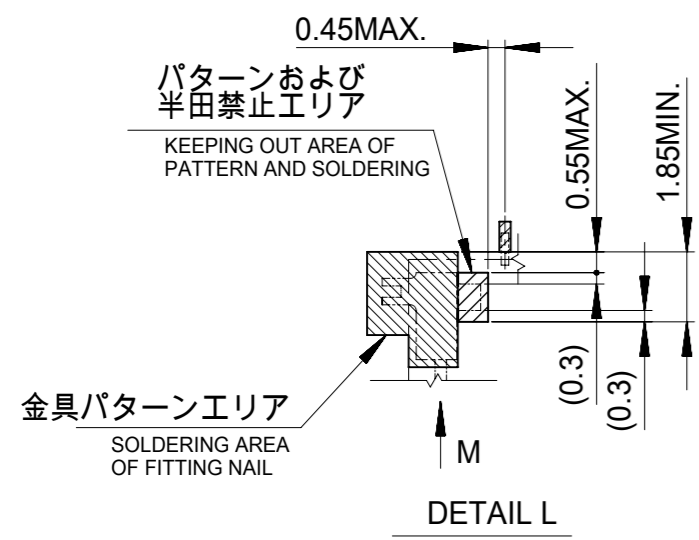
GENERAL TOLERANCES (UNLESS SPECIFIED) 10 UNDER ± 0.2 10 OVER 30 UNDER ± 0.25 30 OVER ± 0.3 ANGULAR ± 3° DRAFT WHERE APPLICABLE MUST REMAIN WITHIN DIMENSIONS		DIMENSION UNITS: mm SCALE: 10:1 CURRENT REV DESC: EC NO: 600082 DRWN: YCHEN128 2018/03/02 CHK'D: KTAKAHASHI 2018/03/14 APPR: NUKITA 2018/03/14 INITIAL REVISION: DRWN: KMIYAHARA 2012/09/05 APPR: KMORIKAWA 2013/04/05 THIRD ANGLE PROJECTION	0.5MM FPC CONN ZIF R/A HOUSING ASSY (LOWER CONTACT) PRODUCT CUSTOMER DRAWING DOCUMENT NUMBER: SD-52437-023 DOC TYPE: PSD DOC PART: 001 REVISION: A MATERIAL NUMBER: SEE TABLE CUSTOMER: GENERAL MARKET SHEET NUMBER: 1 OF 2
---	--	--	---



適合FPC推奨寸法
 APPLICABLE FPC
 PLATING RECOMMENDED DIMENSION
 仕上がり厚さ : 0.3±0.05
 THICKNESS: 0.3±0.05/-0.05

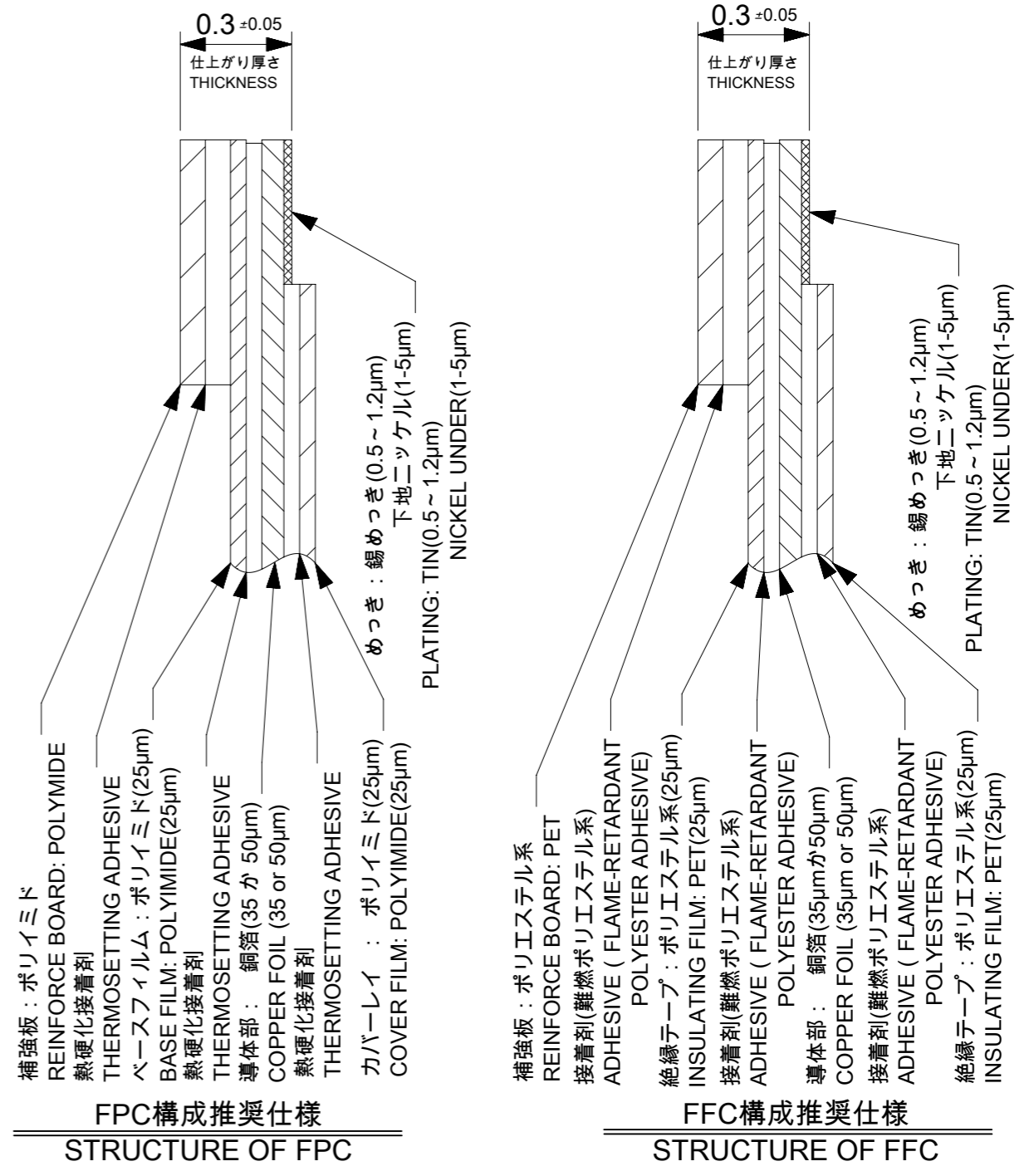


適合FFC推奨寸法
 APPLICABLE FFC
 PLATING RECOMMENDED DIMENSION
 仕上がり厚さ : 0.3±0.05
 THICKNESS: 0.3±0.05/-0.05



推奨基板レイアウト
 (マウンド面)
 RECOMMENDED P.C. BOARD
 PATTERN DIMENSION
 (MOUNTING SIDE)

マスク厚 : 100μm
 マスク開口率 : 100%
 SCREEN THICKNESS : 100μm
 SCREEN OPEN RATIO : 100%



FPC/FFCについて ABOUT FPC/FFC
 打ち抜き方向は導体側から補強板側を推奨します。
 接着剤の接点部への付着は導通不良の原因になりますので、染み出しが無い様、お願い致します。
 RECOMMENDED PUNCHING DIRECTION: FROM CONDUCTOR SIDE TO STIFFENER SIDE
 PLEASE PUT APPROPRIATE AMOUNT OF ADHESIVE ON ADHEREND BECAUSE THERE IS A POSSIBILITY THAT THE EXTRA ADHESIVE CAUSES THE DEFECT IN ELECTRICAL CONTINUITY.

GENERAL TOLERANCES (UNLESS SPECIFIED)	
10 UNDER	± 0.2
10 OVER 30 UNDER	± 0.25
30 OVER	± 0.3
ANGULAR	± 3 °
DRAFT WHERE APPLICABLE MUST REMAIN WITHIN DIMENSIONS	

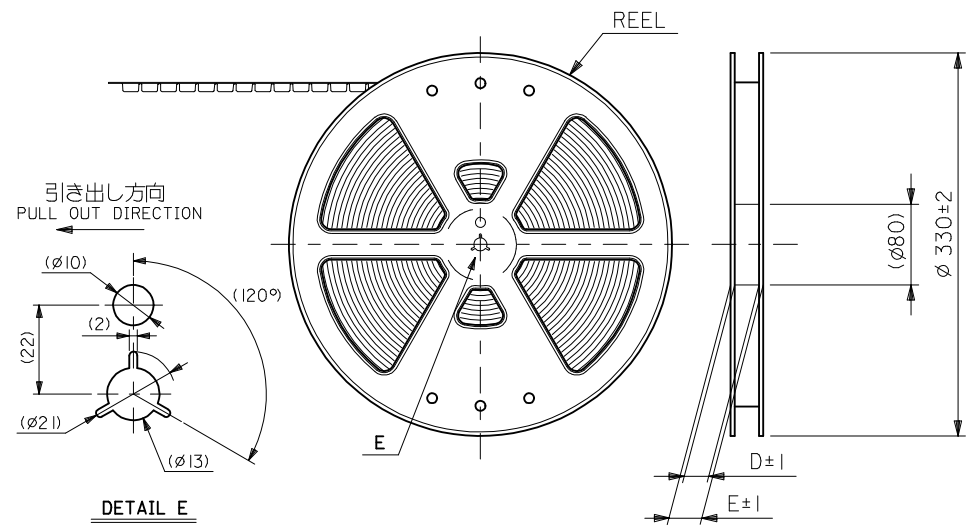
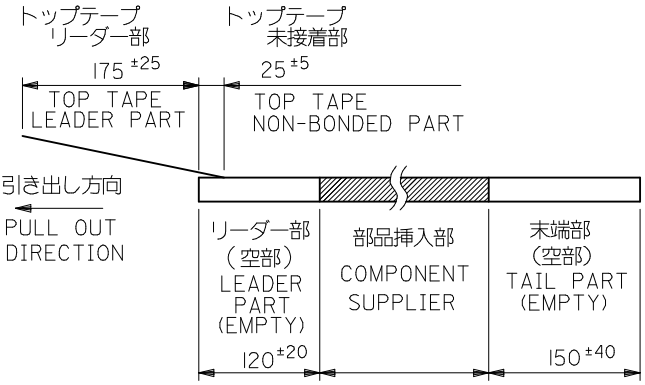
THIS DRAWING CONTAINS INFORMATION THAT IS PROPRIETARY TO MOLEX ELECTRONIC TECHNOLOGIES, LLC AND SHOULD NOT BE USED WITHOUT WRITTEN PERMISSION	
DIMENSION UNITS	SCALE
mm	5:1
CURRENT REV DESC:	
GENERAL TOLERANCES (UNLESS SPECIFIED)	
ANGULAR TOL	± 30 °
4 PLACES	± 0.2
3 PLACES	± 0.25
2 PLACES	± 0.3
1 PLACE	±
0 PLACES	±
DRAFT WHERE APPLICABLE MUST REMAIN WITHIN DIMENSIONS	
THIRD ANGLE PROJECTION	
DRAWING	
SERIES	
MATERIAL NUMBER	
CUSTOMER	
SHEET NUMBER	

注記 NOTES

1. 製品番号52437-**22の梱包状態はアクチュエータがロックした状態とする。
 製品の詳細寸法については図面SD-52437-023を参照下さい。
 IN THE PACKAGE, ACTUATOR OF PART NO. 52437-**22 SHOULD BE LOCKED
 RE DETAILED DIMENSIONS, SEE SD-52437-023.

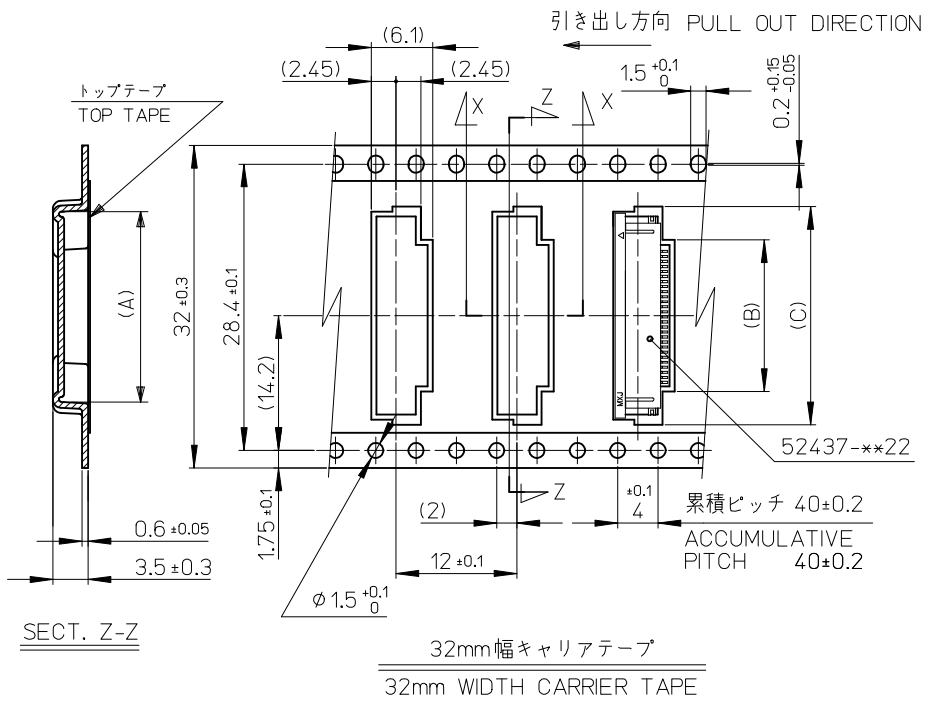
2. 梱包数量：1000個/リール
 NUMBER OF CONNECTORS:1000PCS/REEL

3. リードテープ長さ LEAD TAPE LENGTH



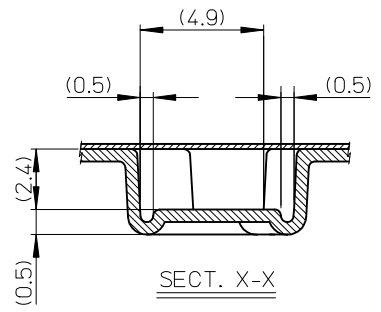
4. カバーテープの剥離強度については、IEC60286-3に準拠
 COVER TAPE PEEL FORCE IS DEFINED BY IEC 60286-3.
5. 材料 (MATERIAL)
 キャリアテープ (CARRIER TAPE) : ポリプロピレン (POLYPROPYLENE)
 トップテープ (TOPTAPE) : PET, PE, PEF
 リール (REEL) : ポリスチレン (PS) <リサイクル材を含む>
 POLYSTYREN (PS) <RECYCLE MATERIAL CONTAINED>
6. ELV及びRoHS適合品
 ELV AND RoHS COMPLIANT

RELEASED EC NO: J2013-1015 DRWN: AISHII 2012/09/10 CHKD: TAKAHASHI 2012/09/10 APPR: KMORIKAWA 2013/04/05	GENERAL TOLERANCES (UNLESS SPECIFIED)		DIMENSION STYLE MM ONLY		SCALE ---	DESIGN UNITS METRIC	THIRD ANGLE PROJECTION
	10 UNDER	±0.2	DRAWN BY AISHII	DATE 2012/09/10	TITLE EMBOSS TAPE PACKAGED FOR 0.5MM FPC CONN ZIF R/A HOUSING ASSY		
	10 OVER 30 UNDER	±0.25	CHECKED BY KTAKAHASHI	DATE 2012/09/10			
	30 OVER	±0.3	APPROVED BY KMORIKAWA	DATE 2013/04/05			
	ANGULAR ±3 °		MATERIAL NO.		DOCUMENT NO.		
DRAFT WHERE APPLICABLE MUST REMAIN WITHIN DIMENSIONS		SEE CHART		SD-52437-024			1 OF 3



SECT. Z-Z

32mm幅キャリアテープ
32mm WIDTH CARRIER TAPE

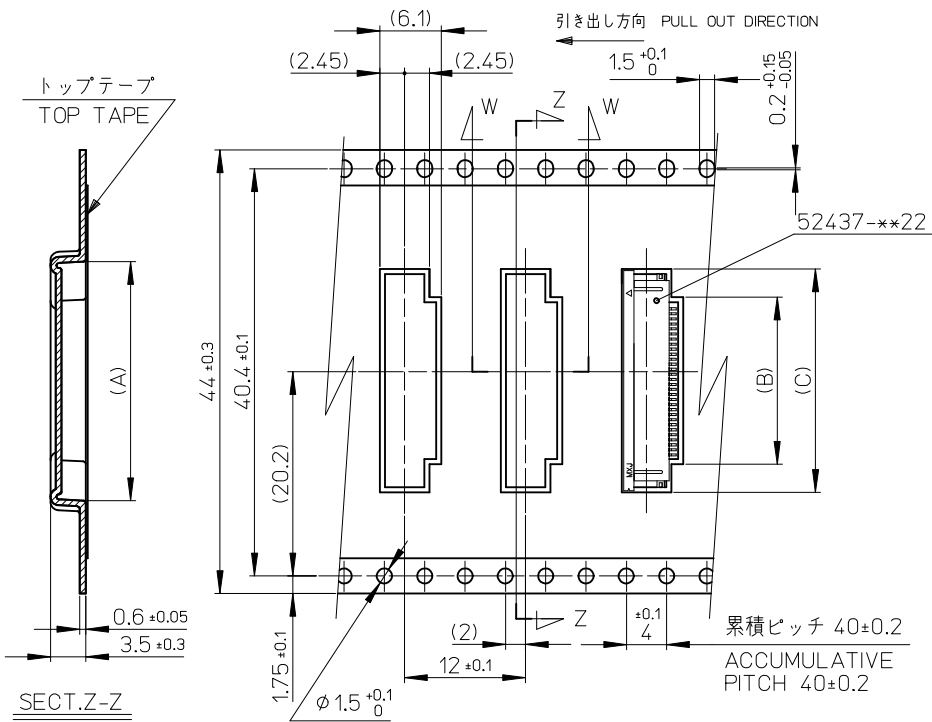


SECT. X-X

32	37.4	33.4	22.4	15.8	21.4	52437-2933	29
			21.9	15.3	20.9	-2833	28
			21.4	14.8	20.4	-2733	27
			20.9	14.3	19.9	-2633	26
			20.4	13.8	19.4	-2533	25
			19.9	13.3	18.9	-2433	24
			19.4	12.8	18.4	-2333	23
			18.9	12.3	17.9	52437-2233	22
キャリアテープ幅 CARRIER TAPE WIDTH	E	D	(C)	(B)	(A)	製品番号 MATERIAL NO	極数 CKT

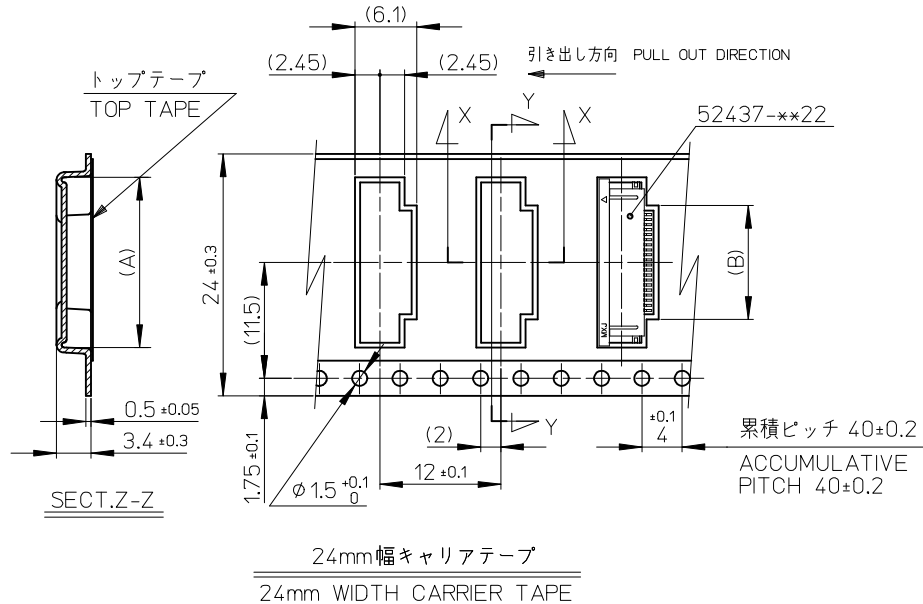
SEE SHEET 1 OF 3 EC NO: J2013-1015 DRW: AISHII 2012/09/13 CHKD: TAKAHASHI 2012/09/13 APPR: KMORIKAWA 2013/04/05	GENERAL TOLERANCES (UNLESS SPECIFIED)	10 UNDER ± ---	10 OVER 30 UNDER ± ---	30 OVER ± ---	ANGULAR ± --- °	DRAFT WHERE APPLICABLE MUST REMAIN WITHIN DIMENSIONS
	DIMENSION STYLE	MM ONLY		SCALE	DESIGN UNITS	THIRD ANGLE PROJECTION
	DRAWN BY	DATE	TITLE	EMBOSS TAPE PACKAGED FOR 0.5MM FPC CONN ZIF R/A HOUSING ASSY		
	CHECKED BY	DATE	molex			
	APPROVED BY	DATE	DOCUMENT NO.	SD-52437-024		

SIZE	THIS DRAWING CONTAINS INFORMATION THAT IS PROPRIETARY TO MOLEX INCORPORATED AND SHOULD NOT BE USED WITHOUT WRITTEN PERMISSION					
A3						



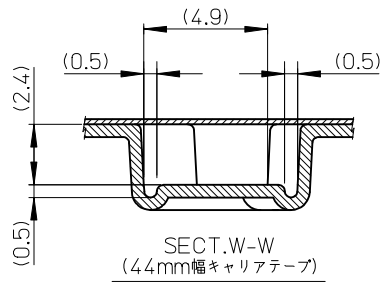
44mm幅キャリアテープ
44mm WIDTH CARRIER TAPE

44	49.4	45.4	25.4	18.8	24.4	52437-3533	35
			22.9	16.3	21.9	52437-3033	30
キャリアテープ幅 CARRIER TAPE WIDTH	E	D	(C)	(B)	(A)	製品番号 MATERIAL NO.	極数 CKT.

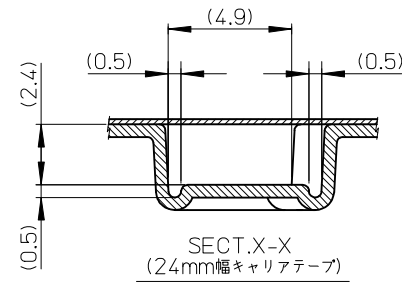


24mm幅キャリアテープ
24mm WIDTH CARRIER TAPE

24	29.4	25.4	11.8	17.4	52437-2133	21
キャリアテープ幅 CARRIER TAPE WIDTH	E	D	(B)	(A)	製品番号 MATERIAL NO.	極数 CKT.



SECT.W-W
(44mm幅キャリアテープ)



SECT.X-X
(24mm幅キャリアテープ)

SEE SHEET 1 OF 3 EC NO.: J2013-1015 DRW: AISHII 2012/09/13 CHKD: TAKAHASHI 2012/09/13 APPR: KMORIKAWA 2013/04/05	GENERAL TOLERANCES (UNLESS SPECIFIED)		DIMENSION STYLE MM ONLY		SCALE ---	DESIGN UNITS METRIC	THIRD ANGLE PROJECTION
	10 UNDER	± ---	DRAWN BY AISHII	DATE 2012/09/13	TITLE EMBOSS TAPE PACKAGED FOR 0.5MM FPC CONN ZIF R/A HOUSING ASSY		
	10 OVER 30 UNDER	± ---	CHECKED BY TAKAHASHI	DATE 2012/09/13			
	30 OVER	± ---	APPROVED BY KMORIKAWA	DATE 2013/04/05			
ANGULAR	± --- °	MATERIAL NO.		SEE CHART	DOCUMENT NO. SD-52437-024	SHEET NO. 3 OF 3	
DRAFT WHERE APPLICABLE MUST REMAIN WITHIN DIMENSIONS	SIZE A3		THIS DRAWING CONTAINS INFORMATION THAT IS PROPRIETARY TO MOLEX INCORPORATED AND SHOULD NOT BE USED WITHOUT WRITTEN PERMISSION				