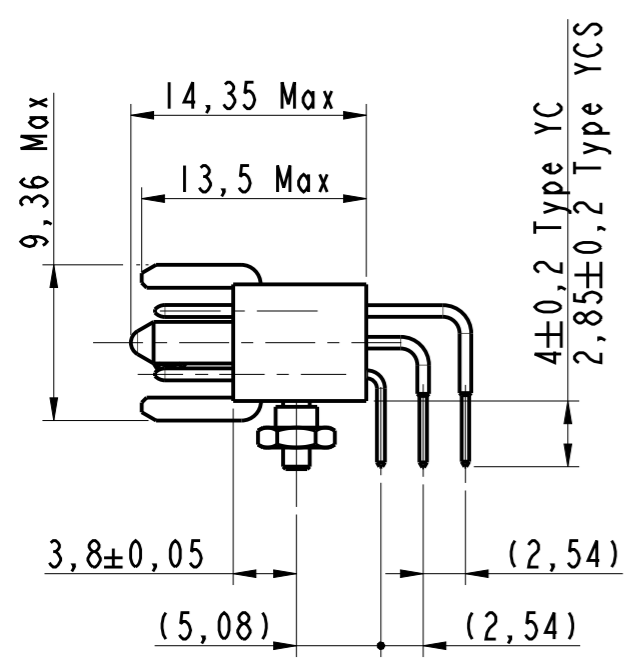
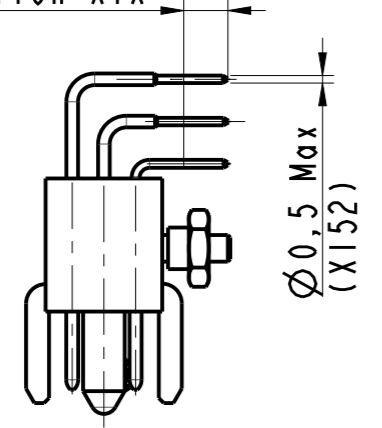


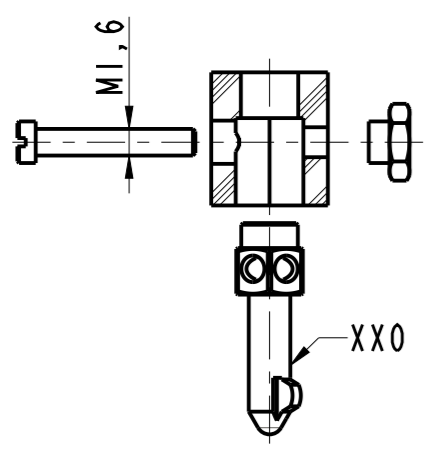
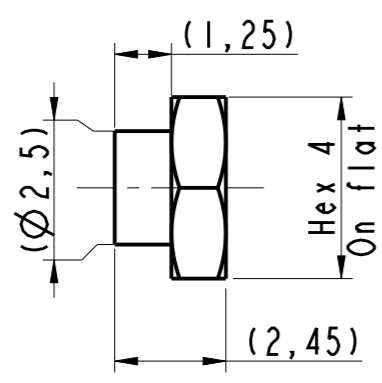
IN THE CONSTANT PURPOSE OF IMPROVING ITS PRODUCTS, AMPHENOL SOCAPEX RESERVES THE RIGHT TO MODIFY ANY DIMENSION OR CHARACTERISTICS. FM.NPD.0036.THYZE.PUNE rev C



Tinning; deviation XIX
 2 Min for YCS
 3 Min for YC

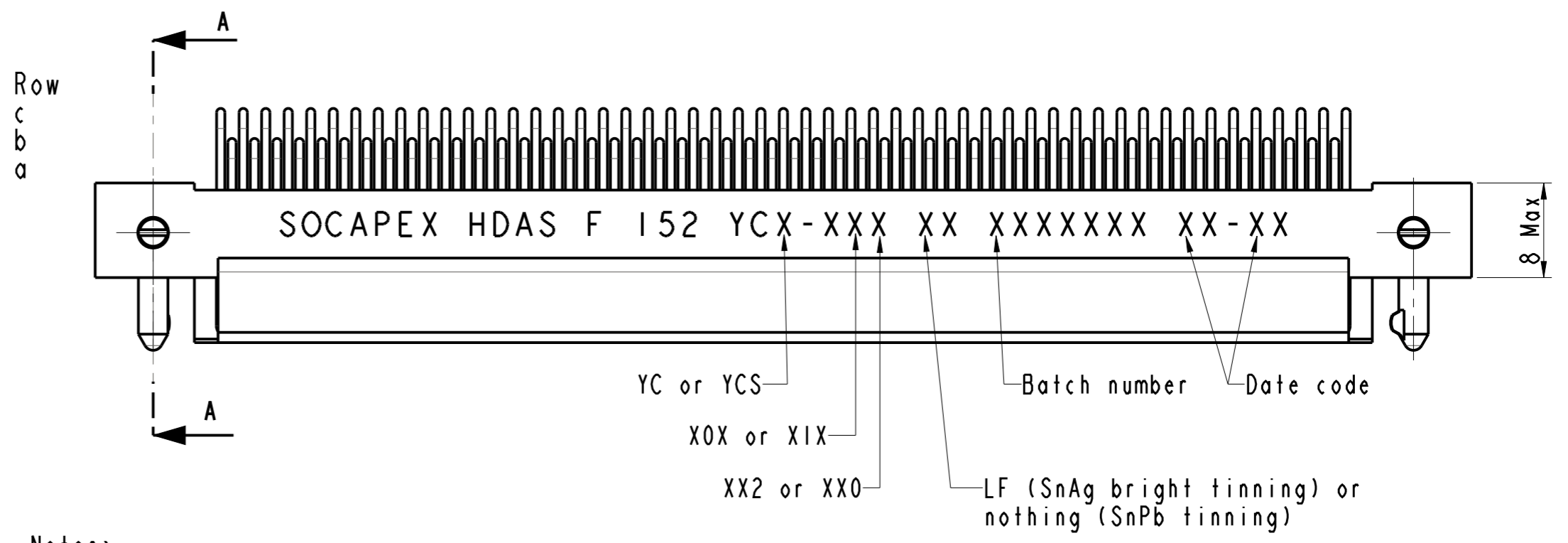
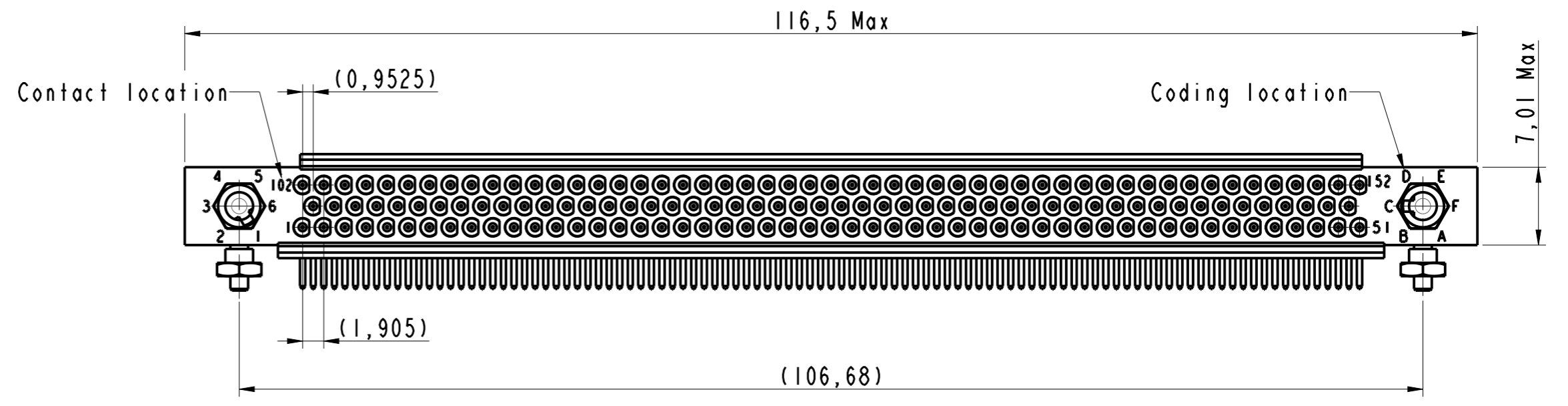


Shoulder nut
 Scale 8



Coding guide
 Section A-A

Uncoding guide



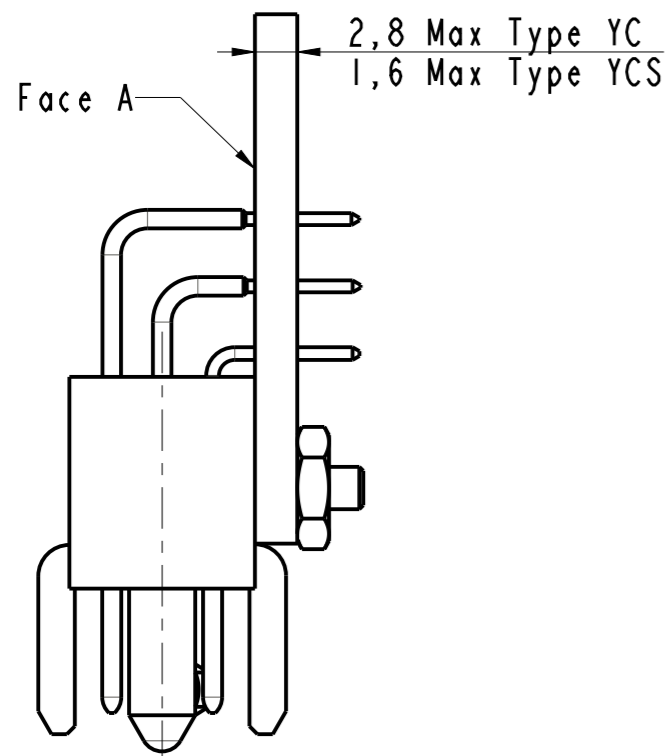
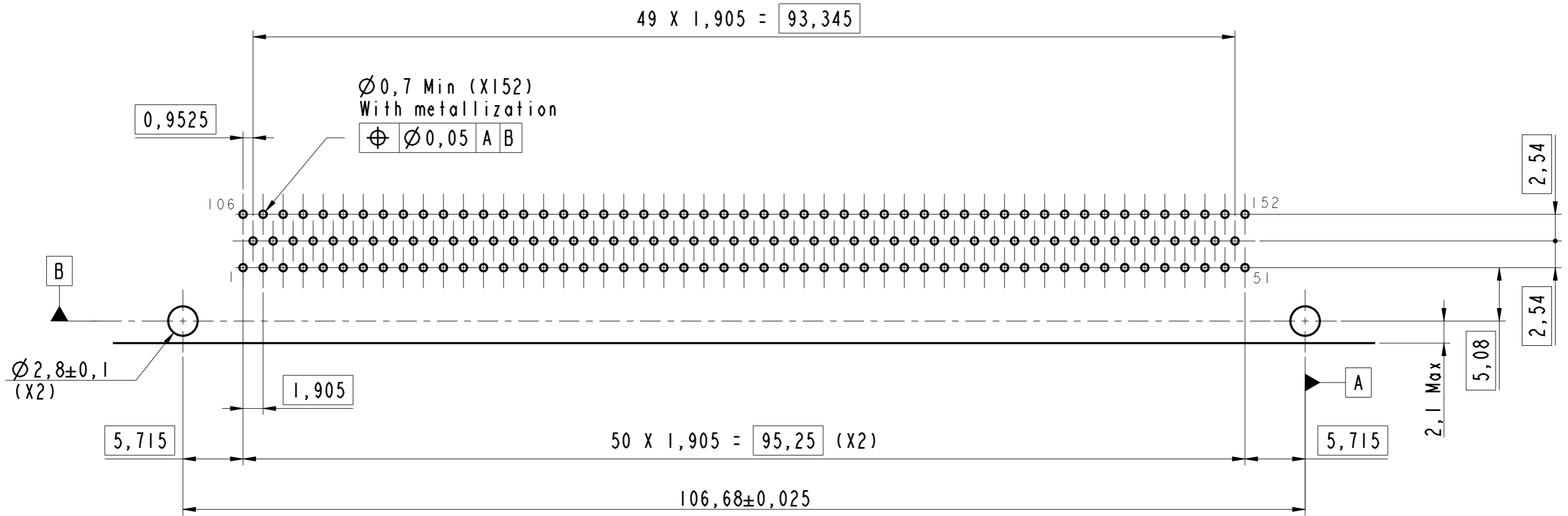
Notes:

1. Part: HDAS F 152 YCX-XXX XX
2. External dimensions for a male plug with 152 signal contacts type YCX
3. Connector delivered with fittings not assembled, coupling torque : 0,15Nm
4. Standard OXX : Nickel plated over brass fittings.
 Deviation IXX : Passivated stainless steel fittings.
5. Standard X0X : Contacts gold plated (RoHS)
 Deviation XIX : Contacts tail Hot dip tinned
 SnPb (non RoHS) or SnAg (RoHS)

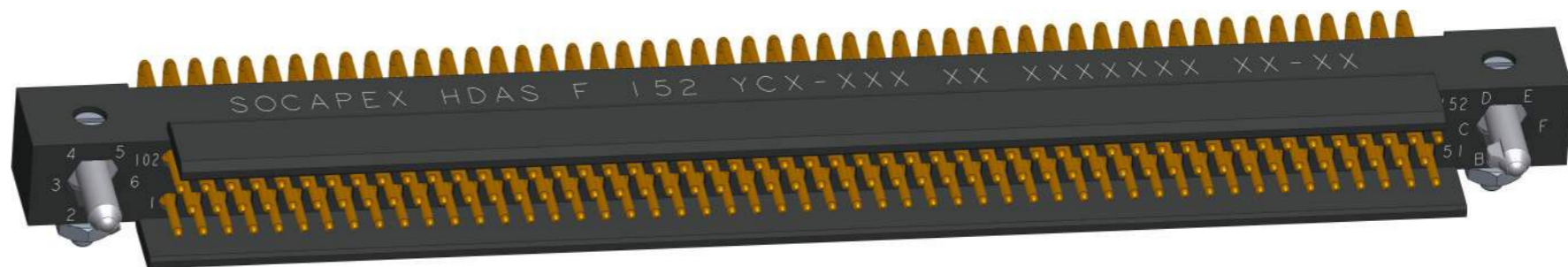
HDAS F 152 YCX-XXX XX

DRAWN BY : S Satpute		UPDATED BY : S Satpute		LAST APPROVED BY : T Carrier	
ALL DIMENSIONS ARE IN MM		AMPHENOL SOCAPEX		ORIGINAL DRAWING DATE : 03/09/2019	CONFIGURATION DATA ARE AVAILABLE IN PDM
SCALE : 2,2				REV : D	PAGE : 1/2
		B.P. 29 74311 THYZE CEDEX		169-PLC-1326-00	

PCB Layout Face A



Scale 3,5



Scale 2

HDAS F 152 YCX-XXX XX

DRAWN BY : S Satpute		UPDATED BY : S Satpute		LAST APPROVED BY : T Carrier	
ALL DIMENSIONS ARE IN MM	AMPHENOL SOCAPEX			ORIGINAL DRAWING DATE : 03/09/2019	CONFIGURATION DATA ARE AVAILABLE IN PDM
				REV : D	PAGE : 2/2
SCALE : 2,5	B.P. 29 74311 THYEZ CEDEX			169-PLC-1326-00	

IN THE CONSTANT PURPOSE OF IMPROVING ITS PRODUCTS, Amphenol Socapex RESERVES THE RIGHT TO MODIFY ANY DIMENSION OR CHARACTERISTICS. FM.NPD.0036.THYEZ.PUNE rev C