

Type PMC-KB-07-SOR Panel Mount Fuse Holder 5 x 20mm Fuses Knob / Bayonet – Color Cap



www.optifuse.com

(619) 593-5050

Electrical Rating: 10A, 250V AC

Fuse Style: 5 x 20mm

Material:

Frame: Bakelite (94V-0)

Cap: PBT (94V-0)

Terminals: Tin-plated brass

Color Cap: ABS (94HB)

Cap: Knob type, Bayonet type

Cap Colors: Green, Blue, Red, Gold, or Black

Mounting: by nut

Terminal: Solder tabs - 4mm / 0.157"

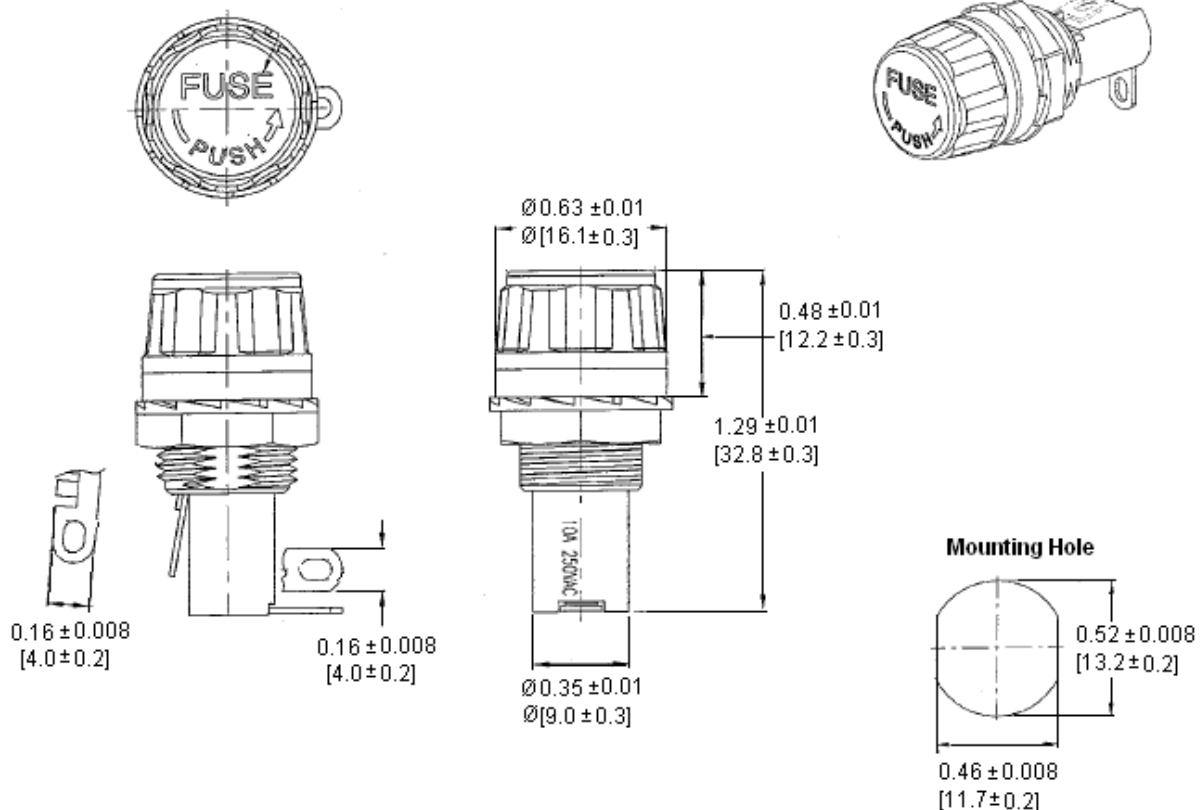
Panel Thickness: 0.5 ~ 3.0mm

Agency Standards and Listings:



Part Number	Cap Color
PMC-KB-07-SOR-GN	Green
PMC-KB-07-SOR -BL	Blue
PMC-KB-07-SOR -RD	Red
PMC-KB-07-SOR -GO	Gold
PMC-KB-07-SOR -BK	Black

Product Dimensions: Inches [mm]



Warning:



- Operation beyond the specified maximum ratings or improper use may result in damage and possible electrical arcing and/or flame.
- Fuse Holders are not intended for circuit disconnect. All power should be disconnected before removing fuse.
- Avoid contact of Fuse Holder with chemical solvent. Prolonged contact may damage the device performance.

Note: All specifications subject to change without notice.

Rev B 03/2011 - Page: 1/1
Code S02-01H