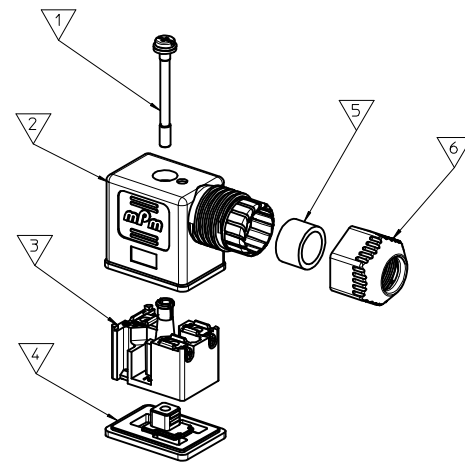


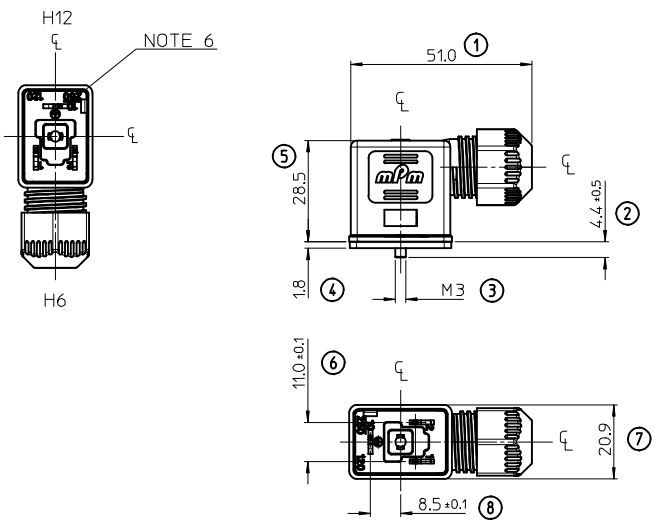
Part No	MPM Prt No	DESCRIPTION
1212020001	C22200N0R	TYPE B IND BLACK NBR GASKET
1212020002	C22200N0RCN	TYPE B IND BLACK NBR GASKET BULK
1212020003	C22200N0S	TYPE B IND BLACK SILICONE GASKET
1212020004	C22200G0R	TYPE B IND GRAY NBR GASKET
1212020005	C22200G0S	TYPE B IND GRAY SILICONE GASKET
1212020006	C22200T0R	TYPE B IND TRANSPARENT NBR GASKET
1212020007	C22200T0S	TYPE B IND TRANSPARENT SILICONE GASKET
1212020008	C22200T2RSN	TYPE B IND TRANSPARENT NBR GASKET H12 BULK MOUNTED
1212020010	C22200W0RCNSA	TYPE B IND BLACK UL V0 NBR GASKET BULK
1212020011	C22200W0RSA	TYPE B IND BLACK UL V0 NBR GASKET
1212020012	C22200N2RSN	TYPE B IND BLACK NBR GASKET H12 BULK MOUNTED
1212020013	C22200W0SSA	TYPE B IND BLACK UL V0 SILICONE GASKET
1212020014	C22200W0SCNSA	TYPE B IND BLACK UL V0 SILICONE GASKET BULK
1212020015	C22200N6RSN	TYPE B IND BLACK NBR GASKET H6 BULK MOUNTED
1212020016	C22200N2GSN	TYPE B IND BLACK NO GASKET H12 BULK MOUNTED
1212020017	C22200W2RSNSA	TYPE B IND BLACK UL V0 NBR GASKET BULK MOUNTED
1212020018	C22200N2GCF	TYPE B IND BLACK NO GASKET H12 BULK FULLY MOUNTED
1212020019	C22200N0SCN	TYPE B IND BLACK SILICONE GASKET BULK

ITEM	DESCRIPTION
1	31mm M3 SCREW WITH GASKET
2	TYPE B COVER
3	TYPE B IND INSERT
4	TYPE B GASKET
5	GROMMET
6	EXTERNAL NUT



C22200N0R***

SERIES _____
 C22= EXTERNAL THREAD FORM B INDUSTRIAL
 POLES _____
 2= 2 POLE
 THREAD _____
 00 = EXTERNAL THREAD
 MATERIAL AND HOUSING COLOR _____
 G= PA6 GRAY, N= PA6 BLACK, W= PA6 BLACK V0, T= TRANSPARENT
 GROUND POSITION _____
 0= UNMOUNTED, 2= H12 & 6 +H6
 SCREW AND GASKET _____
 R= INTEGRATED NBR GASKET AND IP67 SCREW
 S= INTEGRATED SILICON GASKET AND IP67 SCREW
 G= IP67 SCREW, NO GASKET
 NON STANDARD PACKAGING _____
 CN= BULK PACK UN-MOUNTED
 SN= BULK PACK MOUNTED
 67= NEUTRAL PACKAGING
 CF= BULK PACK FULLY MOUNTED
 ADDITIONAL CODES _____
 SA= UL AGENCY APPROVAL



- NOTES:
- FOR SPECIFIC PART NUMBERS PLEASE CONTACT SALES OR CONSULT THE INTELLIGENT PART NUMBERS IN THE TABLE ATTACHED
 - PACKAGING SPECIFICATION: PLEASE SEE PK-121201-001
 - PRODUCT SPECIFICATION: PLEASE SEE PS-121201-001, WITH EXCEPTION.
 - CABLE SIZES 4 - 9 MM DIAMETER
 - TIGHTENING TORQUES: SEE PS-121201-001
 - GROUND POSITION SHOWN H12
- LAST INSPECTION NUMBER 8

UPDATED NOTE 3. EC NO: IFC2015-1871 DRWN:BCAFFREY 2015/04/27 CHKD: APPR:STGR/FFIN 2015/05/13 REV DESCRIPTION	QUALITY SYMBOLS ▽=0 ▽=0	GENERAL TOLERANCES (UNLESS SPECIFIED) <table border="1"> <thead> <tr> <th></th> <th>mm</th> <th>INCH</th> </tr> </thead> <tbody> <tr><td>4 PLACES</td><td>±---</td><td>±---</td></tr> <tr><td>3 PLACES</td><td>±---</td><td>±---</td></tr> <tr><td>2 PLACES</td><td>±0.10</td><td>±---</td></tr> <tr><td>1 PLACE</td><td>±0.20</td><td>±---</td></tr> </tbody> </table> ANGULAR ± 2°		mm	INCH	4 PLACES	±---	±---	3 PLACES	±---	±---	2 PLACES	±0.10	±---	1 PLACE	±0.20	±---	DIMENSION STYLE MM ONLY	SCALE 1:1	DESIGN UNITS METRIC	EM-121202-002 THIRD ANGLE PROJECTION
		mm	INCH																		
	4 PLACES	±---	±---																		
	3 PLACES	±---	±---																		
2 PLACES	±0.10	±---																			
1 PLACE	±0.20	±---																			
DRAWN BY D MAHER 2009/3/24 CHECKED BY S MCGREEVY 2009/3/24 APPROVED BY EFOLAN 2010/10/18	DATE 2009/3/24 2009/3/24 2010/10/18	TITLE EXTERNAL THREAD C22 SERIES 121202	MOLEX INCORPORATED																		
MATERIAL NO. SEE TABLE	DOCUMENT NO. SD-121202-001	SHEET NO. 1 OF 1	THIS DRAWING CONTAINS INFORMATION THAT IS PROPRIETARY TO MOLEX INCORPORATED AND SHOULD NOT BE USED WITHOUT WRITTEN PERMISSION																		
DRAFT WHERE APPLICABLE MUST REMAIN WITHIN DIMENSIONS																					