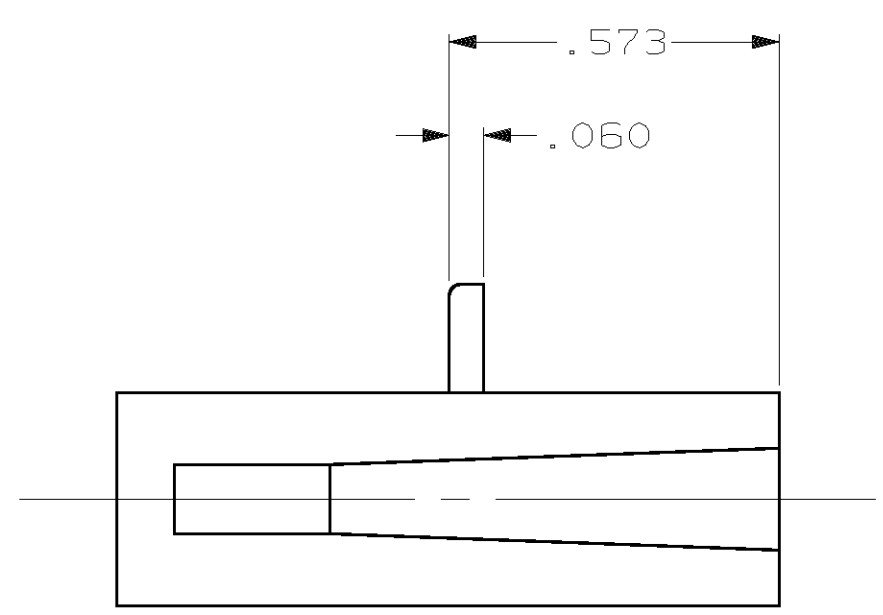
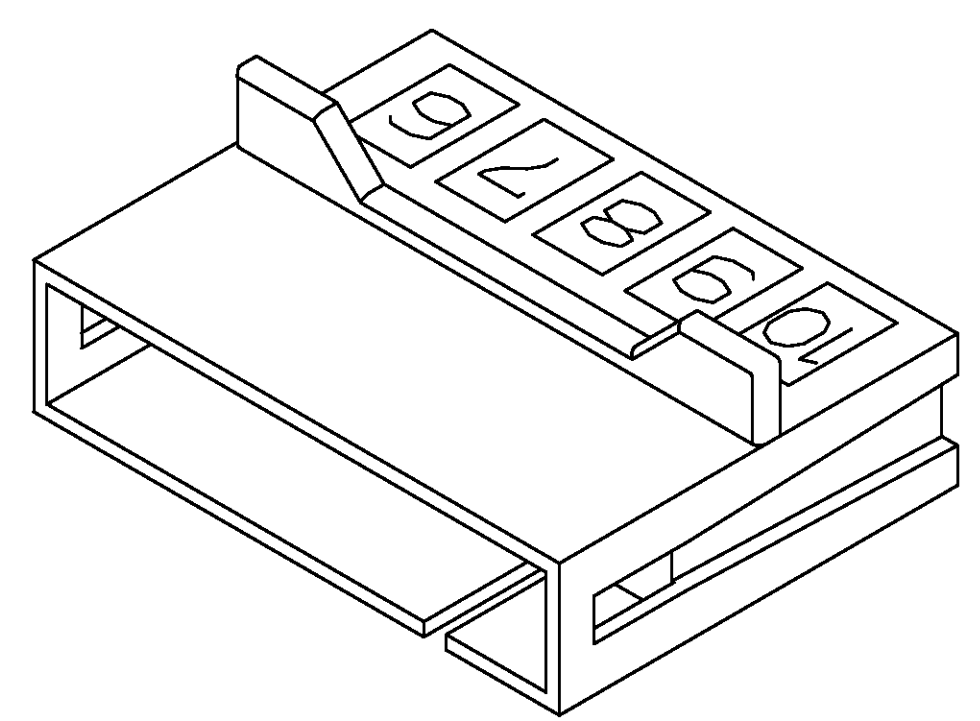
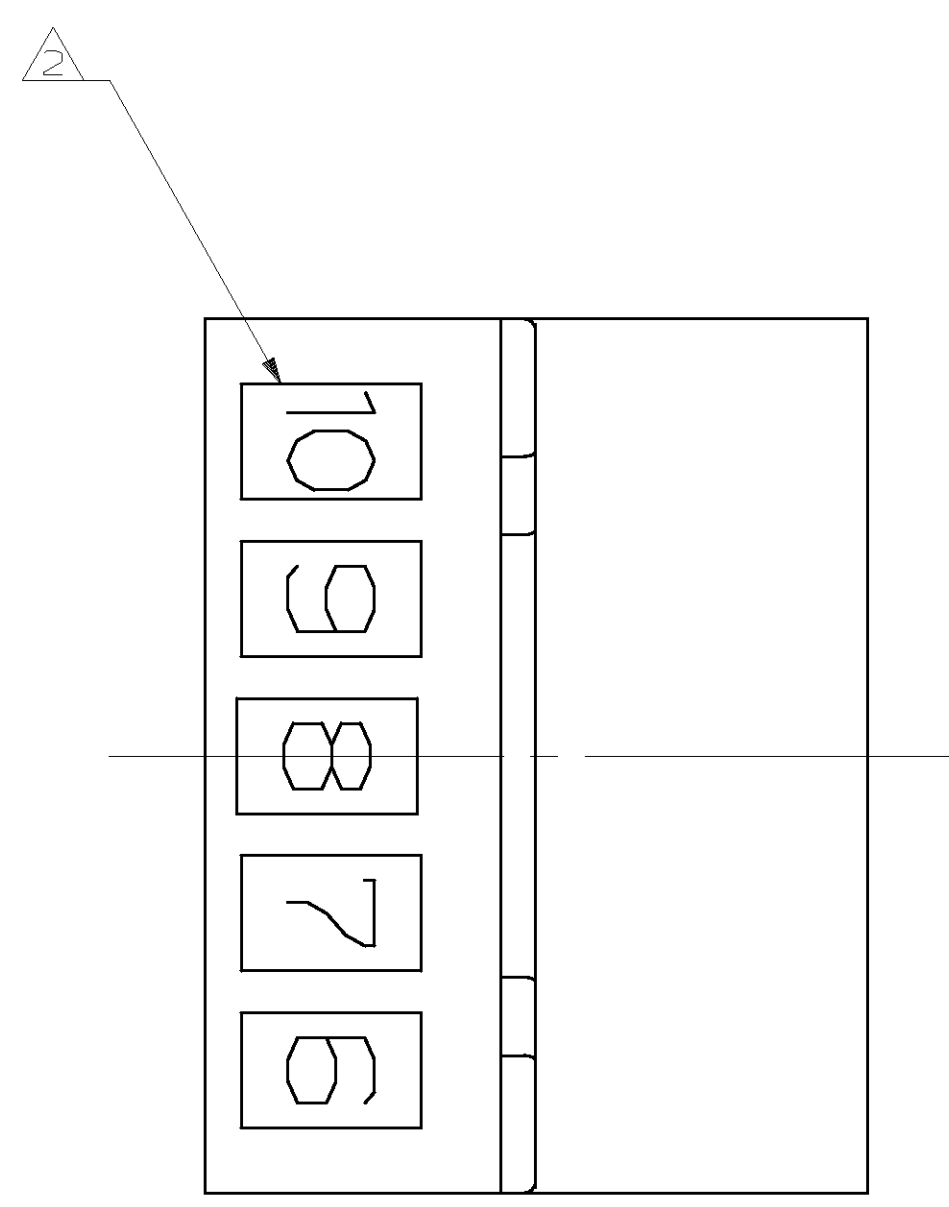
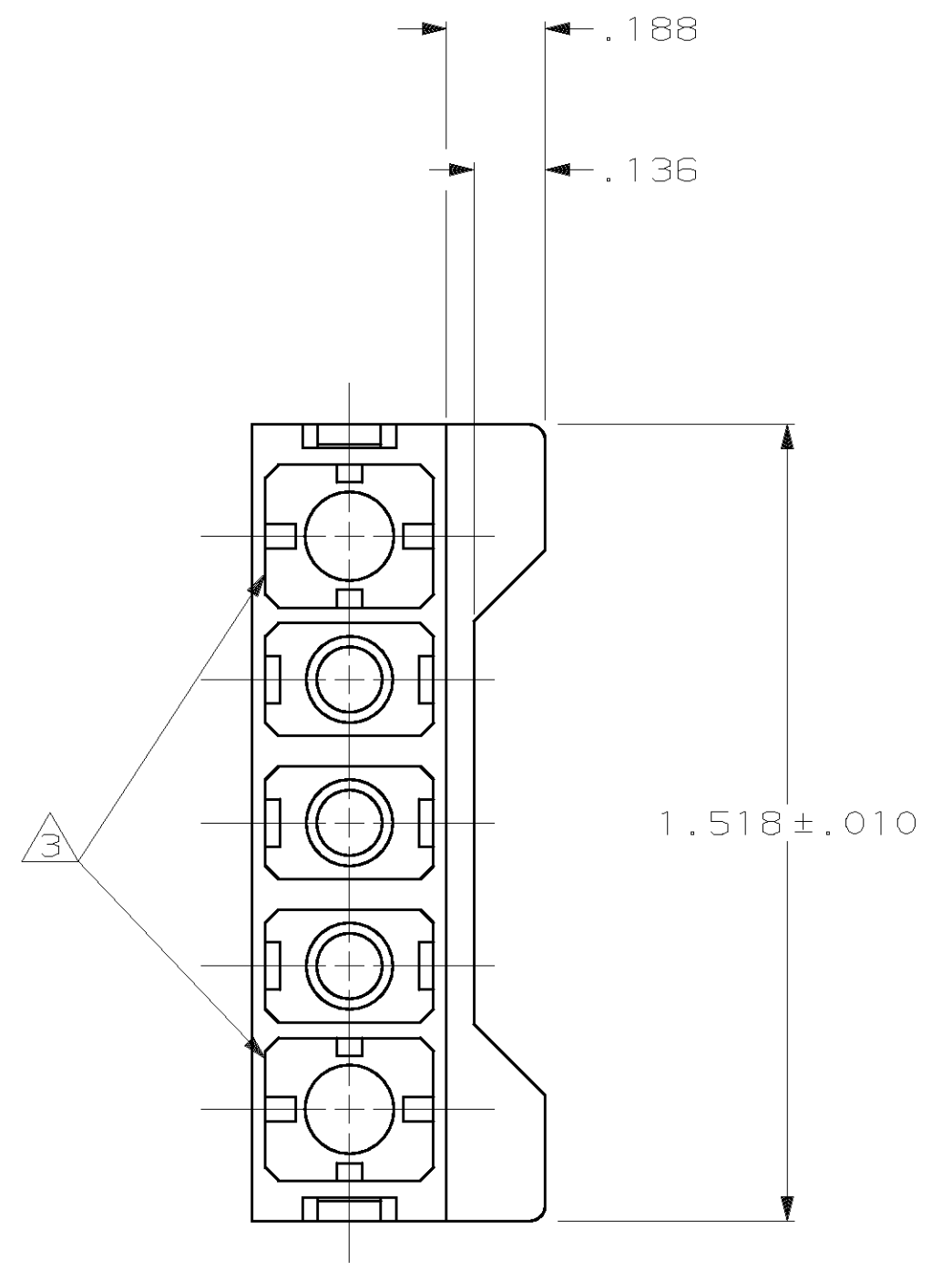
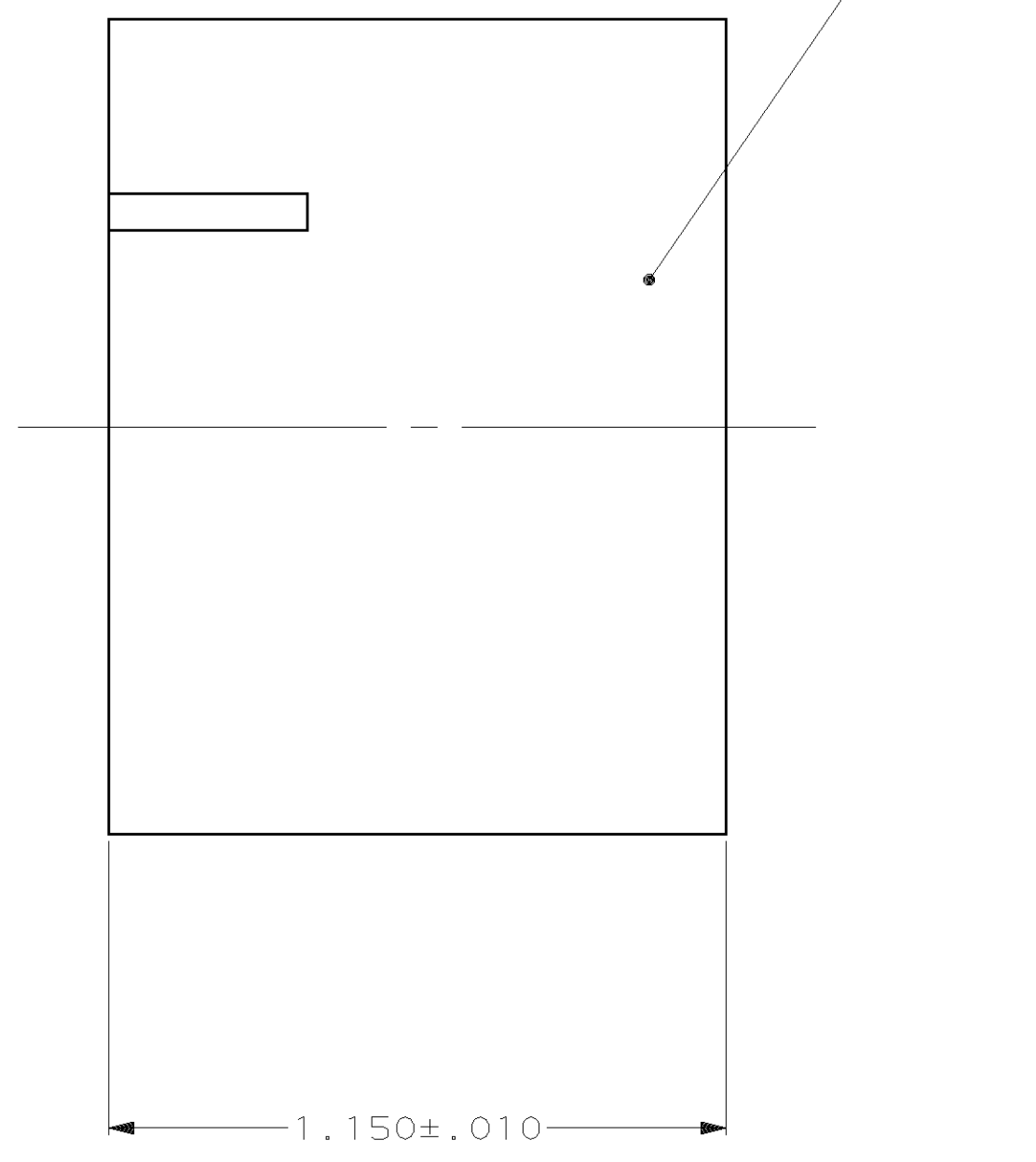
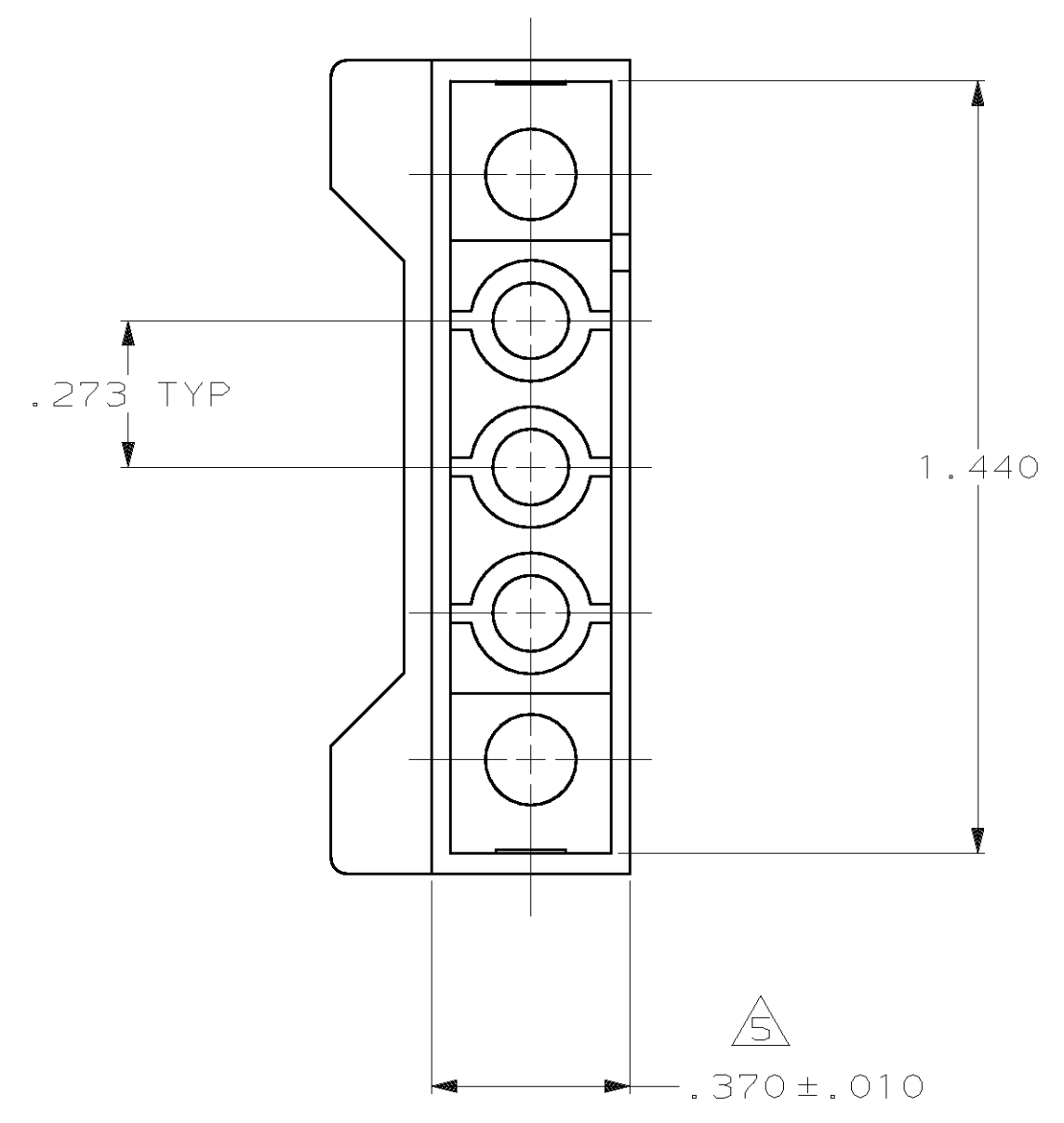


LOC		DIST		P		F		ZONE		LTR		REVISIONS		DATE	APPD
CM	53											H	REV PER EC 0G1B-0260-98	21-JAN-99	JH RS



- MATES WITH PLUG HOUSING 770462.
- CIRCUIT NUMBERS LOCATED APPROXIMATELY AS SHOWN.
- WHEN USING CONTACT P/N 770484-1 IN HOUSING POSITIONS NO.6 & 10, THE WIRE STRIP LENGTH MUST BE $.385 \pm .015$.
- AMP LOGO LOCATED ON THIS SURFACE.
- DIMENSION TO BE HELD AT CORNERS. DIMENSION MAY GO TO $.351$ AT FEATURE CENTER DUE TO BOW.



3-DIMENSIONAL MODEL
NTS

.188	4.78	1.518	38.56
.140	3.56	1.440	36.58
.136	3.45	1.150	29.21
.093	2.36	.573	14.55
.060	1.52	.385	9.78
.015	0.38	.370	9.40
.010	0.25	.351	8.92
.005	0.13	.273	6.93
IN	MM	IN	MM

CONVERSION TABLE

METRIC

DO NOT SCALE PRINT. UNLESS SPECIFIED DIMENSIONS IN INCHES TOLERANCES ON:		DR K. WHITAKER 12-20-88		770464-1 PART NO	
2 PLC DEC ±		CHK R. SWING 12-21-88	AMP INCORPORATED Harrisburg, Pa. 17105		
3 PLC DEC ±	.005	APPD G. BROWN 12-21-88	NAME CAP, LEFT HAND, .093/.140 COMMERCIAL PIN AND SOCKET		
ANGLES ±		APPD G. BROWN 12-21-88	DRAWING NO 770464		
MATERIAL	NYLON, UL 94V-2 NATURAL	PRODUCT SPEC	SIZE D	FSCM NO 00779	SHEET 1 OF 1
FINISH		APPLICATION SPEC	SCALE 3:1	DRAWING NO 770464	
WEIGHT					