

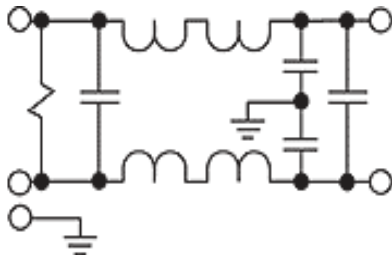
SW

WIDE BAND HIGH PERFORMANCE EMI FILTER

FEATURES

- » **Rated currents** include **3A, 5A, 10A, 20A, 30A, 45A and 60A**
- » Available with **QD** (tabs), **S** (studs) and **C** (connectors) option
- » End Mount, Low Profile, Connector & Flange Mount Available
- » Agency Approved to UL E78081, CSA LR53652
- » Wide Band Design
- » Y-cap value can be adjusted to fit specification

ELECTRICAL SCHEMATIC

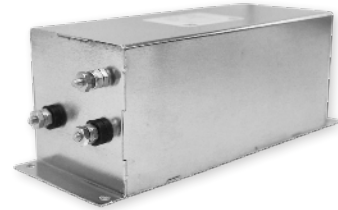


HOW TO ORDER

SW XX LF



NOTE: USE ANY COMBINATION OF -X (AMPS) WITH ANY -Y RATINGS
E.G. **SW5L** (5 AMPS, LOW PROFILE CASE)



SPECIFICATIONS

| | |
|------------------------|---|
| OPERATING FREQUENCY | 50/60Hz |
| MAX. OPERATING VOLTAGE | 250VAC +10% |
| TERMINALS (-T) | QD: 0.25 TABS STUDS: 8-32 (1-5A), 10-32(10-30A) |
| TYP. WEIGHT, LBS (KG) | 0.83 - 10.5 (0.37 - 4.76) |
| <hr/> | |
| LEAKAGE CURRENT | |
| @ 250 VAC 60 Hz | 0 - 3.5 mA Max. |
| <hr/> | |
| HIPOT RATINGS | |
| LINE TO GROUND | 2200 VDC - 2700 VDC |

TYPICAL APPLICATIONS

- ✓ Household Appliances
- ✓ Industrial Equipment
- ✓ Power Supplies
- ✓ Consumer Electronics
- ✓ Office Automation Equipment
- ✓ Data Processing Systems

SW

WIDE BAND HIGH PERFORMANCE EMI FILTER

| MODEL NO. | RATED CURRENT (A) @ 40° C | Y-CAP, nF | LEAKAGE CURRENT, mA @ 250V AC, 60 Hz | TERMINAL OPTIONS | | | MAX. DIMENSIONS" (MM) | | |
|-----------|---------------------------|--|--------------------------------------|--------------------|-------------------|-------------------|-----------------------|----------|--------|
| | | | | (QD) INPUT/ OUTPUT | (S) INPUT/ OUTPUT | (C) INPUT/ OUTPUT | WIDTH | (LENGTH) | HEIGHT |
| SW3C | 3 | 2x.0001µF/2x .0047µF/2x .0047µF/2x.001µF | 2.4 | | | ✓ | 2.15" | 3.47" | 1.75" |
| SW3C S | 3 | 2x.0001µF/2x .0047µF/2x .0047µF/2x.001µF | 2.4 | | | ✓ | 2.15" | 3.5" | 1.75" |
| SW3 | 3 | 2x.0001µF/2x .0047µF/2x .0047µF/2x.001µF | * | ✓ | | | 2.15" | 4.07" | 1.78" |
| SW3 G | 3 | 2x.0001µF/2x .0047µF/2x .0047µF/2x.001µF | 2.4 | ✓ | | | 2.15" | 4.07" | 1.78" |
| SW3R | 3 | 2x.0001µF/2x .0047µF/2x .0047µF/2x.001µF | 2.4 | ✓ | | | * | * | * |
| SW3 S | 3 | 2x.0001µF/2x .0047µF/2x .0047µF/2x.001µF | 2.4 | | ✓ | | 2.15" | 4.13" | 1.78" |
| SW3 SG | 3 | 2x.0001µF/2x .0047µF/2x .0047µF/2x.001µF | 2.4 | | ✓ | | * | * | * |
| SW5C | 5 | 2x.0001µF/2x .0047µF/2x .0047µF/2x.001µF | 2.4 | | | ✓ | 2" | 6.19" | 1.5" |
| SW5 F | 5 | 2x.0001µF/2x .0047µF/2x .0047µF/2x.001µF | 2.4 | ✓ | | | 2" | 4.95" | 2" |
| SW5 FG | 5 | 2x.0001µF/2x .0047µF/2x .0047µF/2x.001µF | 2.4 | ✓ | | | * | * | * |
| SW5 H | 5 | 2x.0001µF/2x .0047µF/2x .0047µF/2x.001µF | 2.4 | ✓ | | | 2" | 4.95" | 2" |
| SW5L | 5 | 2x.0001µF/2x .0047µF/2x .0047µF/2x.001µF | 2.4 | ✓ | | | 2" | 6.44" | 1.5" |
| SW5 FS | 5 | 2x.0001µF/2x .0047µF/2x .0047µF/2x.001µF | 2.4 | | ✓ | | 2" | 5.01" | 2" |
| SW5L S | 5 | 2x.0001µF/2x .0047µF/2x .0047µF/2x.001µF | 2.4 | | ✓ | | * | * | * |
| SW5 | 5 | * | 2.4 | * | * | * | * | * | * |
| SW5 S | 5 | * | * | | ✓ | | * | * | * |
| SW10C | 10 | 2x.0001µF/2x .0047µF/2x .0047µF/2x.001µF | 2.4 | | | ✓ | 2.75" | 8.76" | 1.75" |

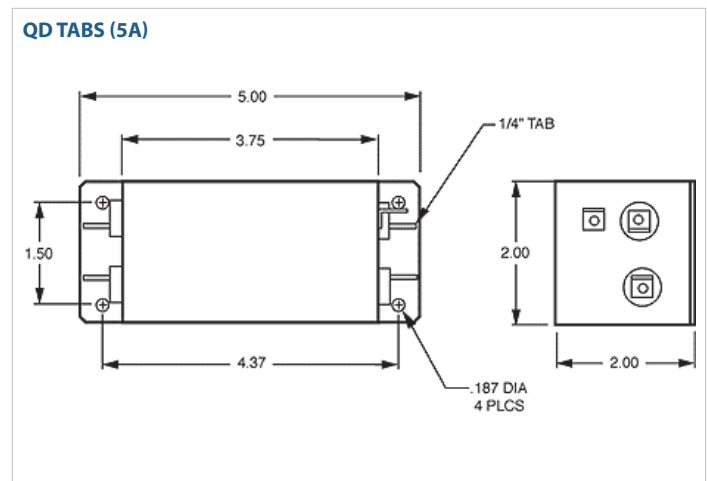
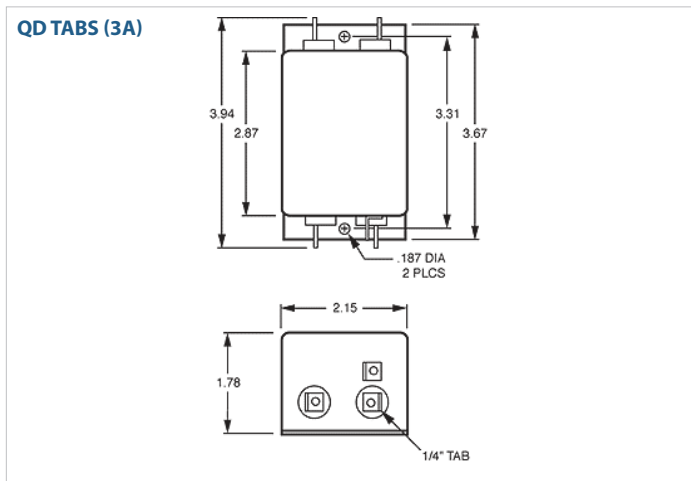
SW

WIDE BAND HIGH PERFORMANCE EMI FILTER

| MODEL NO. | RATED CURRENT (A) @ 40° C | Y-CAP, nF | LEAKAGE CURRENT, mA @ 250V AC, 60 Hz | TERMINAL OPTIONS | | | MAX. DIMENSIONS" (MM) | | |
|-----------|---------------------------|--|--------------------------------------|--------------------|-------------------|-------------------|-----------------------|----------|--------|
| | | | | (QD) INPUT/ OUTPUT | (S) INPUT/ OUTPUT | (C) INPUT/ OUTPUT | WIDTH | (LENGTH) | HEIGHT |
| SW10L | 10 | 2x.0001µF/2x .0047µF/2x .0047µF/2x.001µF | 2.4 | | ✓ | | 2.75" | 8.76" | 1.75" |
| SW10 | 10 | * | 2.4 | * | * | * | * | * | * |
| SW20 F | 20 | 2x.0001µF/2x .0068µF/2x .0068µF/2x.001µF | 2.4 | | ✓ | | 3" | 8.26" | 3" |
| SW20 H | 20 | 2x.0001µF/2x .0068µF/2x .0068µF/2x.001µF | 2.4 | | ✓ | | 3" | 8.26" | 3" |
| SW20 | 20 | Data Not Available | 2.4 | * | * | * | * | * | * |
| SW30 | 30 | 2x.0001µF/2x .0068µF/2x .0068µF/2x.001µF | 2.4 | | ✓ | | 4" | 8.66" | 4" |
| SW30 F | 30 | 2x.0001µF/2x .0068µF/2x .0068µF/2x.001µF | 2.4 | | ✓ | | 4" | 8.86" | 4" |
| SW30 H | 30 | 2x.0001µF/2x .0068µF/2x .0068µF/2x.001µF | 2.4 | | ✓ | | 4" | 8.86" | 4" |
| SW45 | 45 | * | 3.5 | * | * | * | * | * | * |
| SW60 | 60 | * | 3.5 | * | * | * | * | * | * |

*Contact factory for part data.

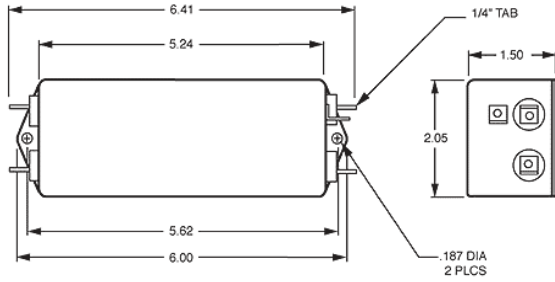
SW MECHANICAL OUTLINES (MM)



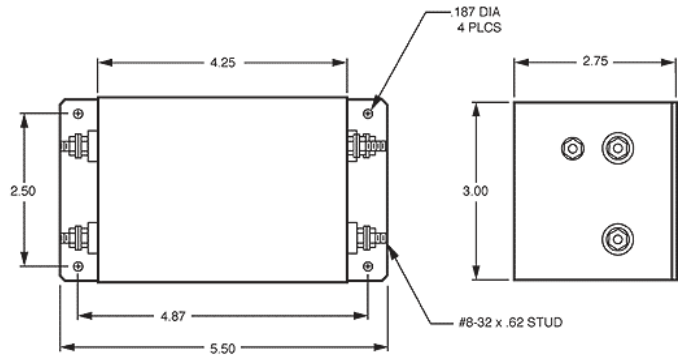
SW

WIDE BAND HIGH PERFORMANCE EMI FILTER

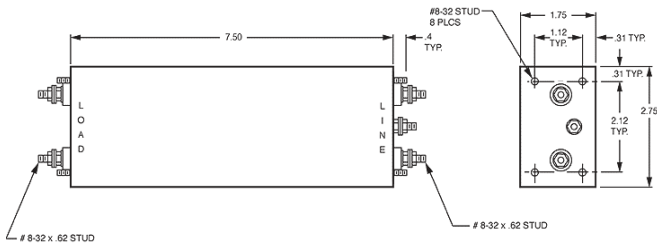
QD TABS (5A) LOW PROFILE



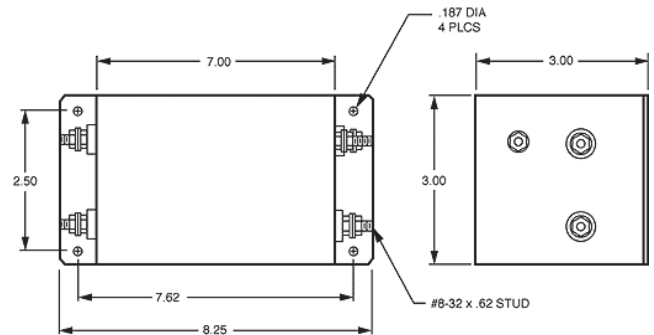
STUDS (10A)



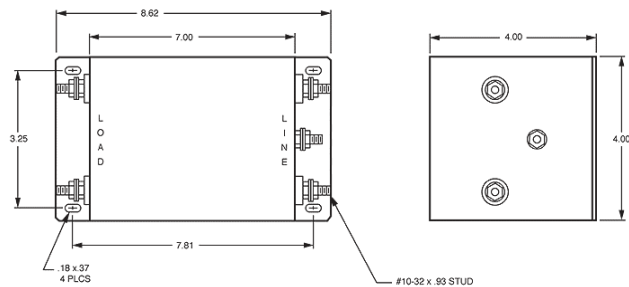
STUDS(10A) LOW PROFILE



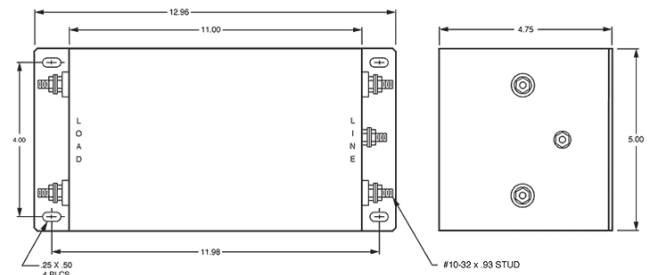
STUDS (20A)



STUDS(30A)

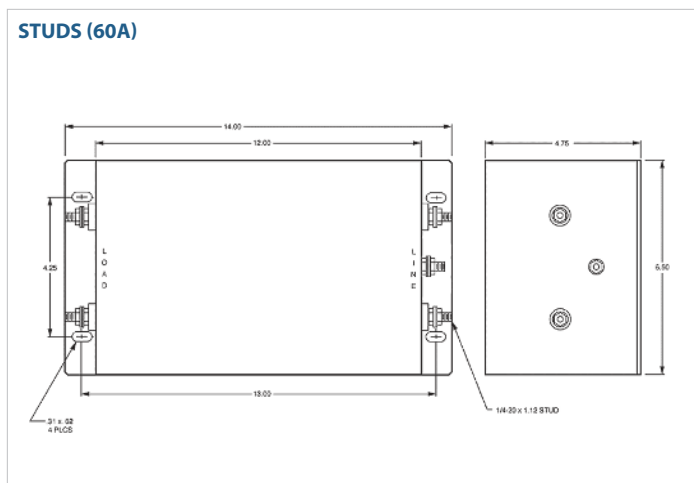


STUDS(45A)



SW

WIDE BAND HIGH PERFORMANCE EMI FILTER



TYPICAL TOLERANCE: +/-0.02" (0.50MM)

TYPICAL INSERTION LOSS, dB (50/50 Ohm)

| Amps | Freq (MHz) | Insertion Loss (dB) | | | | | |
|------|------------|---------------------|-----|-----|----|----|--|
| | | 0.15 | 0.5 | 1.0 | 10 | 30 | |
| 3 | CM (dB) | * | 65 | 59 | 59 | 59 | |
| | DM (dB) | * | 65 | 55 | 58 | 60 | |
| 5 | CM (dB) | * | 65 | 59 | 59 | 59 | |
| | DM (dB) | * | 65 | 55 | 58 | 60 | |
| 10 | CM (dB) | * | 65 | 59 | 59 | 59 | |
| | DM (dB) | * | 65 | 55 | 58 | 60 | |
| 20 | CM (dB) | * | 65 | 59 | 59 | 59 | |
| | DM (dB) | * | 65 | 55 | 58 | 60 | |
| 30 | CM (dB) | * | 70 | 59 | 59 | 59 | |
| | DM (dB) | * | 70 | 55 | 58 | 60 | |
| 45 | CM (dB) | * | 65 | 59 | 59 | 59 | |
| | DM (dB) | * | 65 | 55 | 58 | 60 | |
| 60 | CM (dB) | * | 65 | 59 | 59 | 59 | |
| | DM (dB) | * | 65 | 55 | 58 | 60 | |

*Contact factory for part data.