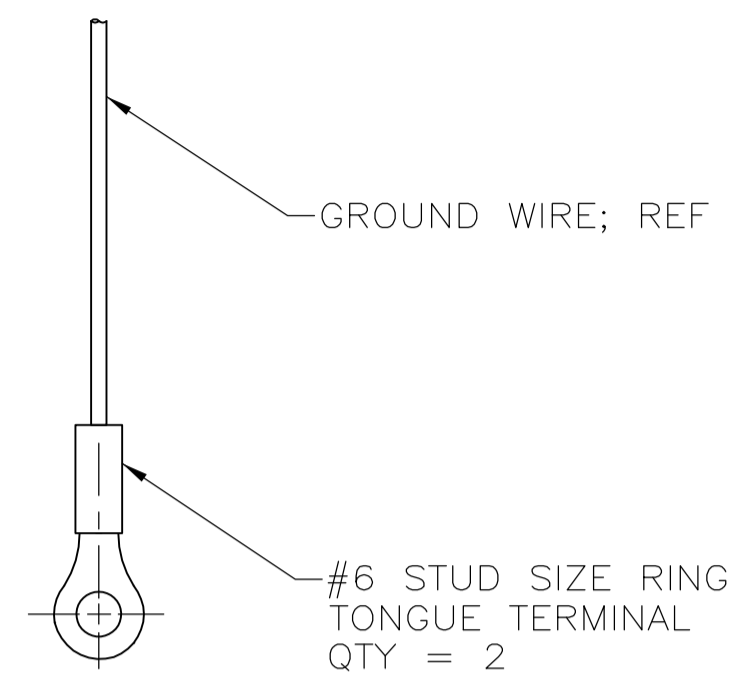


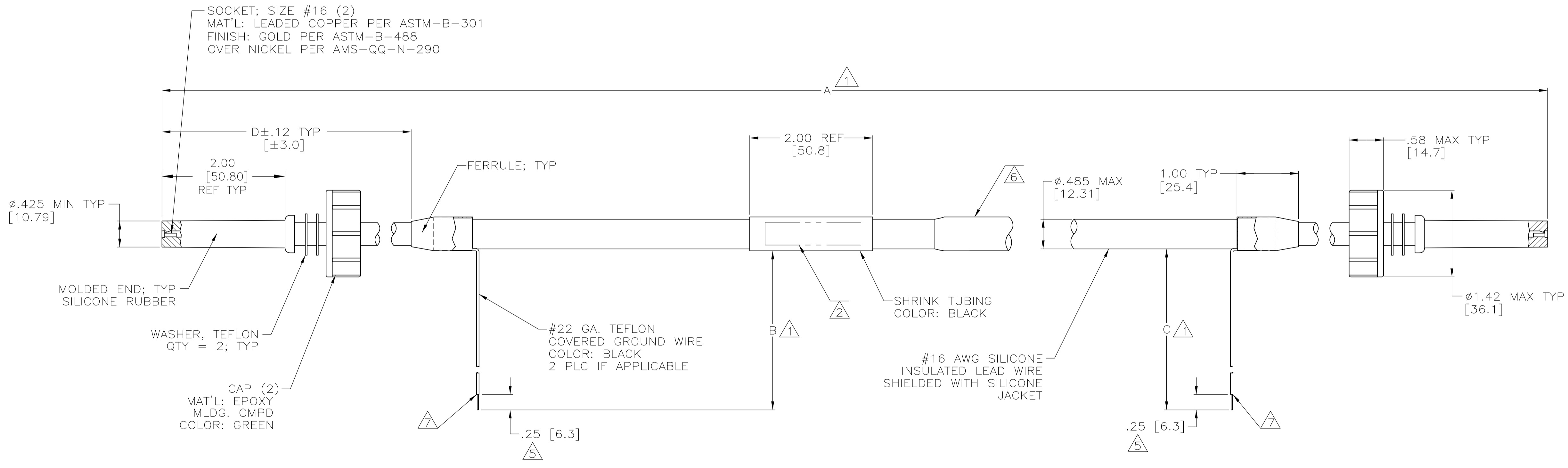
LOC		DIST		REVISIONS			
P	LTR	DESCRIPTION	DATE	DN	APVD		
AB	REV PER ECO	13-015549	10-2-13	CT	DE		

PART NO.	A	B	C	D	REMARKS
846950-1	1200.00 [30480.0]	12.00 [304.8]	12.00 [304.8]	4.00	△ OBSOLETE
846950-2	480.00 [12192.0]	12.00 [304.8]	12.00 [304.8]	4.00	△ OBSOLETE
846950-3	180.00 [4572.0]	12.00 [304.8]	12.00 [304.8]	4.00	△ OBSOLETE
846950-4	60.00 [1524.0]	12.00 [304.8]	12.00 [304.8]	4.00	△ OBSOLETE
846950-5	192.00 [4876.8]	12.00 [304.8]	12.00 [304.8]	4.00	△ OBSOLETE
846950-6	12.00 [304.8]	12.00 [304.8]	12.00 [304.8]	2.62	△
846950-7	12.00 [304.8]	24.00 [609.6]	24.00 [609.6]	2.75	△
846950-8	108.00 [2743.2]	12.00 [304.8]	12.00 [304.8]	4.00	△
846950-9	108.00 [2743.2]	12.00 [304.8]	-	4.00	△ OBSOLETE
1-846950-0	48.00 [1219.2]	12.00 [304.8]	12.00 [304.8]	4.00	△
1-846950-1	10.00 [254.0]	12.00 [304.8]	-	3.00	△ OBSOLETE
1-846950-2	15.00 [381.0]	12.00 [304.8]	-	3.00	△ OBSOLETE
1-846950-3	24.00 [609.6]	12.00 [304.8]	-	3.00	△ OBSOLETE
1-846950-4	96.00 [2438.4]	12.00 [304.8]	12.00 [304.8]	3.00	△
1-846950-5	70.00 [1778.0]	12.00 [304.8]	12.00 [304.8]	4.00	△
1-846950-6	32.50 [825.5]	6.00 [152.4]	6.00 [152.4]	4.00	△ OBSOLETE
1-846950-7	50.00 [1270.0]	12.00 [304.8]	12.00 [304.8]	4.00	△
1-846950-8	20.00 [508.0]	12.00 [304.8]	12.00 [304.8]	4.00	△
1-846950-9	30.00 [762.0]	12.00 [304.8]	-	4.00	△
2-846950-0	79.00 [2006.6]	12.00 [304.8]	12.00 [304.8]	6.00	△
2-846950-1	300.00 [7620.0]	12.00 [304.8]	12.00 [304.8]	4.00	△ OBSOLETE
2-846950-2	348.00 [8839.2]	12.00 [304.8]	12.00 [304.8]	4.00	△
2-846950-3	17.00 [431.8]	12.00 [304.8]	12.00 [304.8]	4.00	△
2-846950-4	26.00 [660.4]	12.00 [304.8]	12.00 [304.8]	4.00	△ OBSOLETE
2-846950-5	14.00 [355.6]	12.00 [304.8]	12.00 [304.8]	3.00	△
2-846950-6	216.50 [5500.1]	12.00 [304.8]	12.00 [304.8]	4.00	△
5-846950-8	108.00 [2743.2]	12.00 [304.8]	12.00 [304.8]	4.00	△
6-846950-0	48.00 [1219.2]	12.00 [304.8]	12.00 [304.8]	4.00	△
6-846950-8	20.00 [508.0]	12.00 [304.8]	12.00 [304.8]	4.00	△
7-846950-0	79.00 [2006.6]	12.00 [304.8]	12.00 [304.8]	6.00	△



846950-6 ONLY
SCALE 2:1

- △1 TOLERANCE OF LEAD LENGTH:
UP TO 24 INCHES [609.6] = ±.12 [±3.0]
24 INCHES [609.6] & UP = ±1%
- △2 MARKED PER MIL-STD-130.
- 3. TO MATE WITH AMP LGH-4 RECEPTACLE WITH 2.00 [50.8] BARREL DEPTH.
- 4. OPERATING VOLTAGE: 50 KVDC AT 0 TO 70,000 FEET, -55°C TO 125°C.
- △5 WHERE APPLICABLE PIGTAIL IS SOLDER DIPPED.
- △6 FOR LEAD ASSY'S THAT REQUIRE MORE THAN ONE PIECE OF SILICONE TUBING A 2.00" MAX OVERLAP IS PERMISSABLE.
- △7 INSULATION CUT, BUT NOT REMOVED.



THIS DRAWING IS A CONTROLLED DOCUMENT.		DIN C.C.THOMAS 28-MAR-90	TE Connectivity
DIMENSIONS: INCHES (mm)		CHK: D.OPLINGER 09-APR-90	
TOLERANCES UNLESS OTHERWISE SPECIFIED:		APVD: D.OPLINGER 09-APR-90	NAME: LEAD ASSY, DOUBLE MOLDED ENDS SHIELDED AND SILICONE COVERED LGH-4
0 PLC ± - 1 PLC ± - 2 PLC ± .02 [0.5] 3 PLC ± - 4 PLC ± - ANGLES ± -		MATERIAL SECC ALLOUTS	FINISH SEE CALLOUTS
MATERIAL SECC ALLOUTS		WEIGHT	SIZE: A1 00779 C=846950
CUSTOMER DRAWING		SCALE: 1:1	SHEET 1 OF 1 REV AB