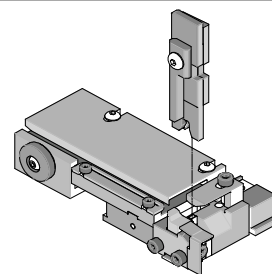




**T2 Terminator
Tooling**

**Application Tooling
Specification Sheet**



Order No. 63858-4000

FEATURES

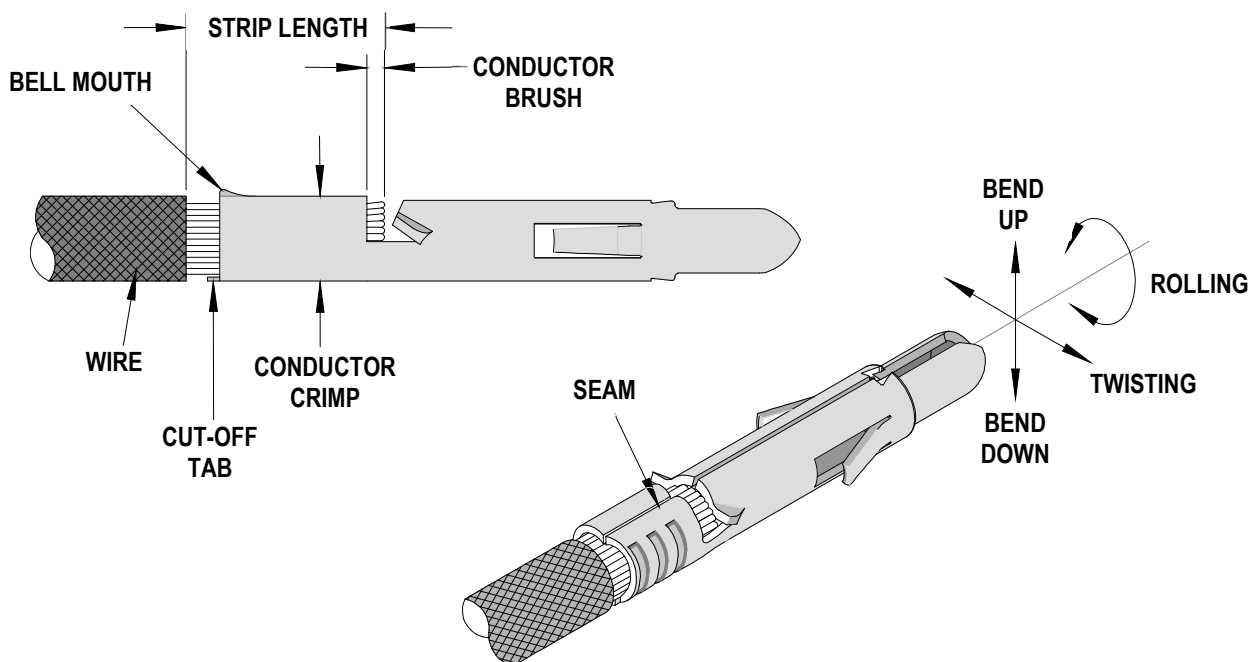
- This terminator can be installed in the TM42 and the TM40 press or base unit adapter for 3BF press
- It is ideally suited for mid-volume bench operations
- Quick punch removal with the push of a button for fast and easy tooling change
- Track adjustment capabilities in the T2 Terminators for improved control of the bell mouth size and cutoff tab length
- T2 Terminator has standardized tooling with the Molex FineAdjust applicator, which will reduce your inventory requirements

SCOPE

Products: MLX Double Crimp Terminals, 10-12 AWG.

Terminal Series No.	Terminal Order No.	Wire Size		Insulation Diameter		Strip Length	
		AWG	mm ²	mm	In.	mm	In.
36663	36663-0001	10-12	5.00-3.30	5.08	.200	6.40-7.14	.252-.281
36664	36664-0001	10-12	5.00-3.30	5.08	.200	6.40-7.14	.252-.281

DEFINITION OF TERMS



CRIMP SPECIFICATIONS

Terminal Series No.	Bell Mouth		Cut-Off Tab Max.		Conductor Brush	
	mm	In.	mm	In.	mm	In.
36663	0.30-0.60	.012-.024	0.50	.020	0.30-0.80	.012-.031
36664	0.30-0.60	.012-.024	0.50	.020	0.30-0.80	.012-.031

Terminal Series No.	Bend Up	Bend Down	Twist	Roll	Punch Width (Ref)				Seam
					Conductor		Insulation		
	Degree		Degree		mm	In.	mm	In.	
36663	3	3	3	5	3.45	.136	N/A	N/A	Seam to be closed, and no wire is allowed out of the crimping area.
36664	3	3	3	5	3.45	.136	N/A	N/A	

CONDITIONS

After crimping, the conductor profiles should measure the following:

Terminal Series No.	Wire Size		Crimp Height				Crimp Width				Pull Force Minimum	
			Conductor		Insulation		Conductor		Insulation			
	AWG	mm ²	mm	In.	mm	In.	mm	In.	mm	In.	N	Lb.
36663	10	5.0	2.35-2.45	.093-.095	N/A	N/A	3.50-3.60	.138-.142	N/A	N/A	355.9	80
	12	3.3	1.90-2.00	.075-.078	N/A	N/A	3.50-3.60	.138-.142	N/A	N/A	311.4	70
36664	10	5.0	2.35-2.45	.093-.095	N/A	N/A	3.50-3.60	.138-.142	N/A	N/A	355.9	80
	12	3.3	1.90-2.00	.075-.078	N/A	N/A	3.50-3.60	.138-.142	N/A	N/A	311.4	70

Pull force should be measured with no influence from the insulation crimp. The above specifications are guidelines to an optimal crimp.

PARTS LIST

T-2 Terminator 63858-4000				
Item	Order No.	Engineering No.	Description	Quantity
Perishable Tooling				
	63858-4070	63858-4070	Tool Kit (All "Y" Items)	REF
1	63841-6173	63841-6173	Conductor Punch	1 Y
2	63801-5972	63801-5972	Conductor Anvil	1 Y
11	63443-0037	63443-0037	Front Cut-Off Plunger	1 Y
13	63443-0038	63443-0038	Front Cut-off Plunger Retainer	1 Y
Other Components				
21	11-40-4039	8302-5	Front Plunger Striker	1
23	63443-0009	63443-0009	Front Scrape Chute	1
25	63700-0539	63700-0539	Cut-Off Plunger Spring	1
31	63443-2503	63443-2503	Spacer (Anvil Mount)	1
33	63443-0021	63443-0021	Lower Tooling Key	1
45	63443-4006	63443-4006	Wire Stop	1
72	11-18-4083	60707-8	Front Cover	1
73	63443-6130	63443-6130	Rear Cover	1
Frame				
83	63800-8800	63800-8800	T2 Terminator	1
Hardware				
91	N/A	N/A	M3 by 6Lg. SHCS	2**
92	N/A	N/A	M4 by 6Lg. SHCS	1**
93	N/A	N/A	M4 by 10Lg. BHCS	2**
94	N/A	N/A	M4 by 50Lg. SHCS	2**
95	N/A	N/A	M4 by 16Lg. SHCS	1**
96	N/A	N/A	#10-32 by 1/4"Lg. BHCS	1**
97	N/A	N/A	3MM by 6Lg. Roll Pin	1**
** Available from an industrial supply company such as MSC (1-800-645-7270).				

Assembly Drawing

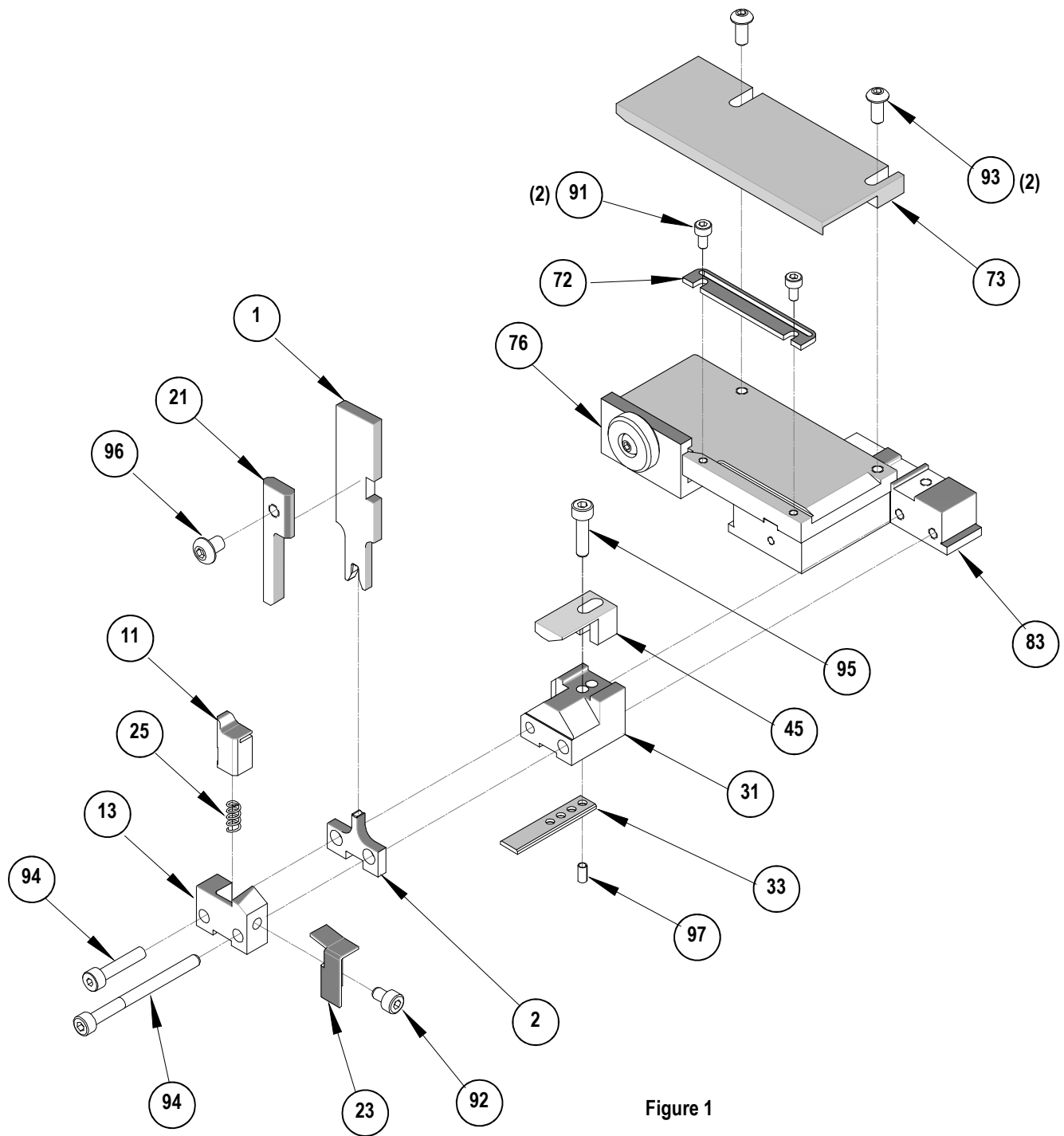


Figure 1

NOTES

Depending on the press vintage, a feed finger assembly is supplied with the T2 Terminator.

1. To remove the existing feed finger assembly, loosen the M4 x 10mm set screw in the feed lever.
2. Select the T2 feed finger assembly from the Terminator box.
3. Insert a screwdriver into the slot behind the feed lever, and force the feed arm spring to the right.
4. Slide the T2 feed finger shaft for the TM42 (11-40-5307) or (11-40-0123) for the TM40/Base Unit into the feed lever and to the left of the feed arm spring.
5. Release the feed arm spring.
6. Position the feed finger for the selected product (Refer to Figure 5.1 in the T2 manual.).

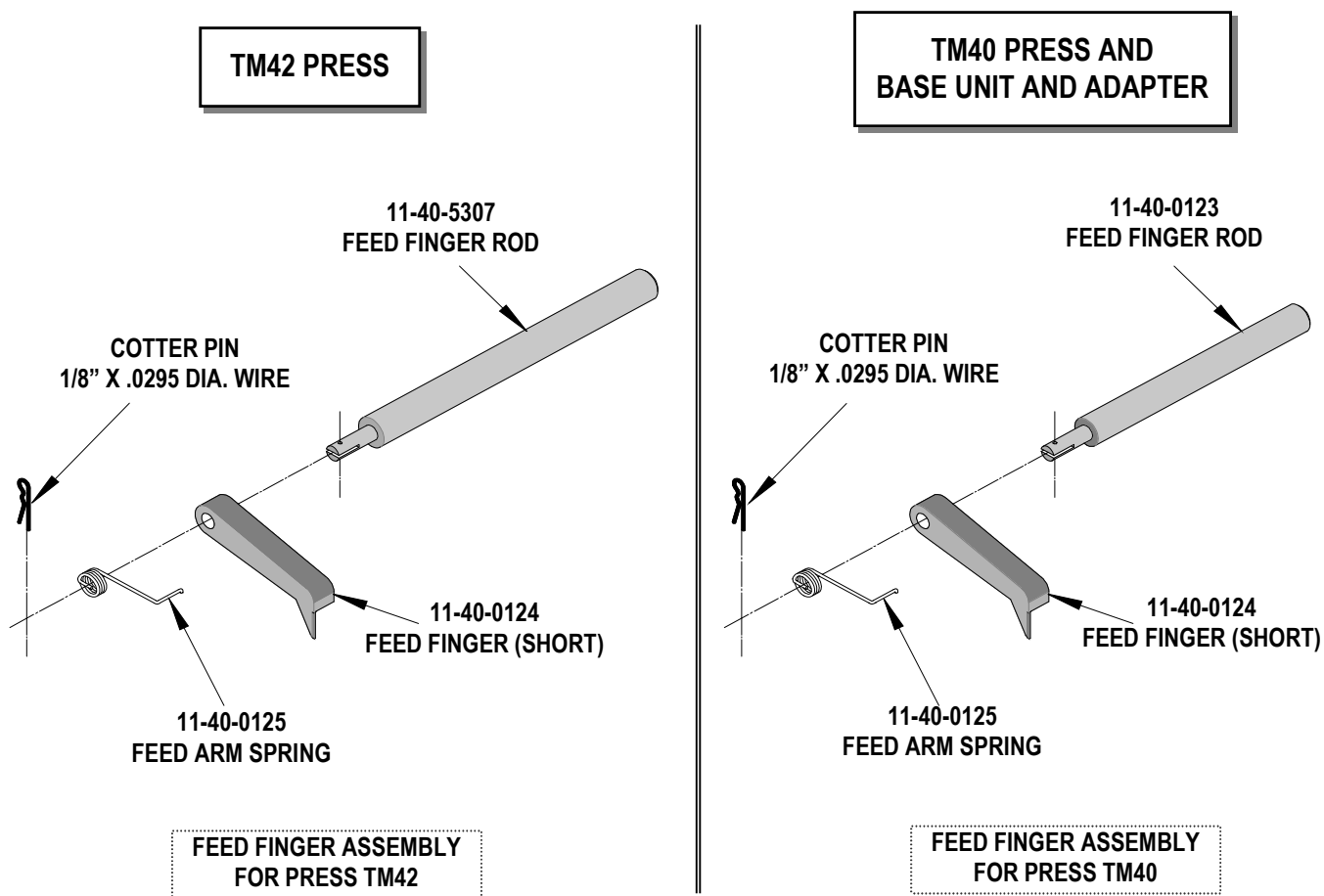


Figure 2

NOTES

1. Molex recommends that an extra perishable tooling kit be maintained at your facility.
2. Verify tooling alignment by manually cycling the press before crimping under power. Check that all screws are tight.
3. Slugs, terminals, dirt and oil should be kept clear of the work area.
4. This terminator should be only used in a Molex TM42, TM40 or 3BF press with a base unit adaptor.
5. Wear safety glasses at all times.
6. For recommended maintenance refer, to the TM40, TM42 manual.

CAUTION: To prevent injury, never operate this terminator without the guards supplied with the press or in place. Reference the TM42 press manufacturer's instruction manual.

CAUTION: Molex crimp specifications are valid only when used with Molex terminals, applicators and tooling.

Application Tooling Support

Phone: (402) 458-TOOL (8665)

E-Mail: applicationtooling@molex.com

Website: www.molex.com/applicationtooling

Molex is a registered trademark of Molex, LLC in the United States of America and may be registered in other countries; all other trademarks listed herein belong to their respective owners.