

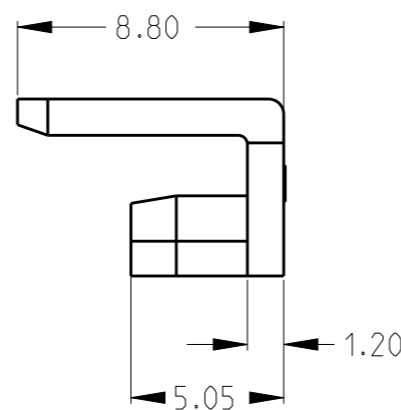
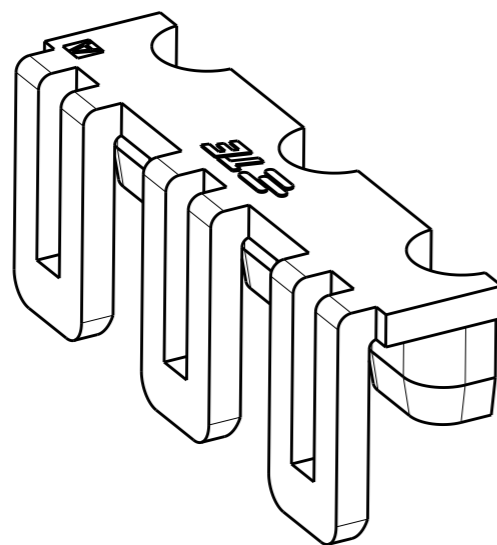
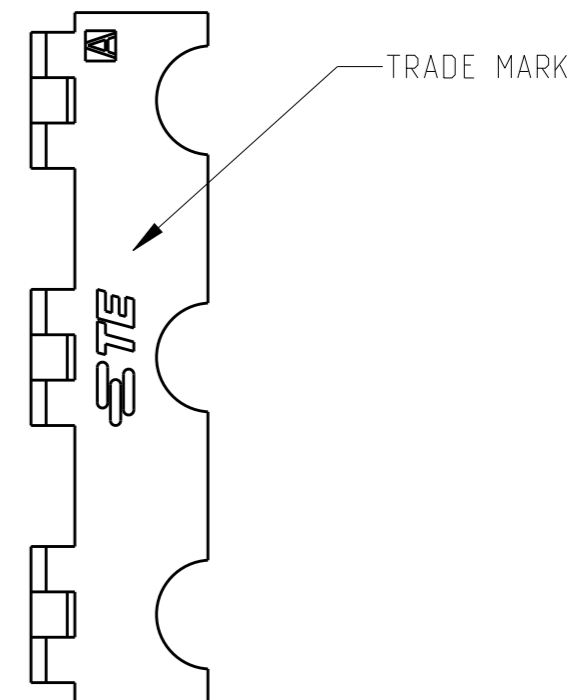
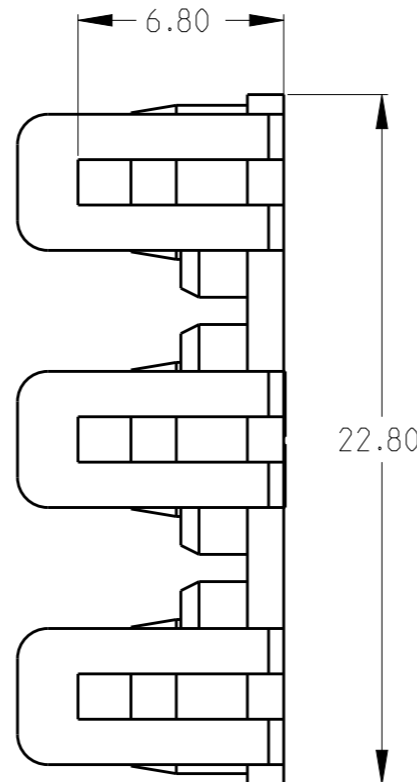
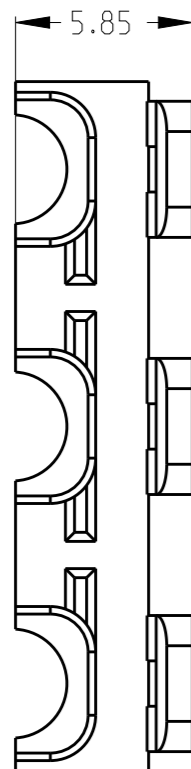
THIS DRAWING IS UNPUBLISHED.

RELEASED FOR PUBLICATION

© COPYRIGHT 19 BY -


ALL RIGHTS RESERVED.

LOC	DIST	REVISIONS			
P	LTR	DESCRIPTION	DATE	DWN	APVD
-	-	A	RELEASED	19AUG2011	L.L E.K
		A1	ADD "GWT REQUIREMENTS" IN NOTE 3.	11OCT2012	D.Z YH.M
		A2	REVISED PER ECR-17-000612	06FEB2017	N.L D.Z



NOTE:  
 1.MATERIAL: THERMOPLASTIC, UL-94 V-0, COLOR: NATURAL  
 2.MATING CONN. P/N:1983658-\*  
 3.PRODUCT COMPLY WITH GLOW WIRE REQUIREMENTS FOR PARTS OF NON-METALLIC MATERIAL SUPPORTING A CURRENT-CARRYING CONNECTION DETAILED IN IEC 60335-1, SECTION 30 (GWT).

1000*10	3-1983667-1
1000*8	1983667-1
PACKAGE QUANTITY(PCS)	PART NUMBER

THIS DRAWING IS A CONTROLLED DOCUMENT.		DWN LEO LIU 19AUG2011	 TE Connectivity	
DIMENSIONS: mm		CHK HAPYE WU 19AUG2011		
TOLERANCES UNLESS OTHERWISE SPECIFIED:		APVD FRIC KONG 19AUG2011	NAME 3 POS DOUBLE LOCK PLATE MULTI 6P CONNECTOR	
0 PLC ±- 1 PLC ±0.5 2 PLC ±0.30 3 PLC ±0.200 4 PLC ±0.2000 ANGLES ±2		PRODUCT SPEC 108-106071	RESTRICTED TO	
MATERIAL -		APPLICATION SPEC -	SIZE A3	CAGE CODE -
FINISH -		WEIGHT -	DRAWING NO C=1983667	SCALE 4:1
		CUSTOMER DRAWING	SHEET 1 OF 1	REV A2