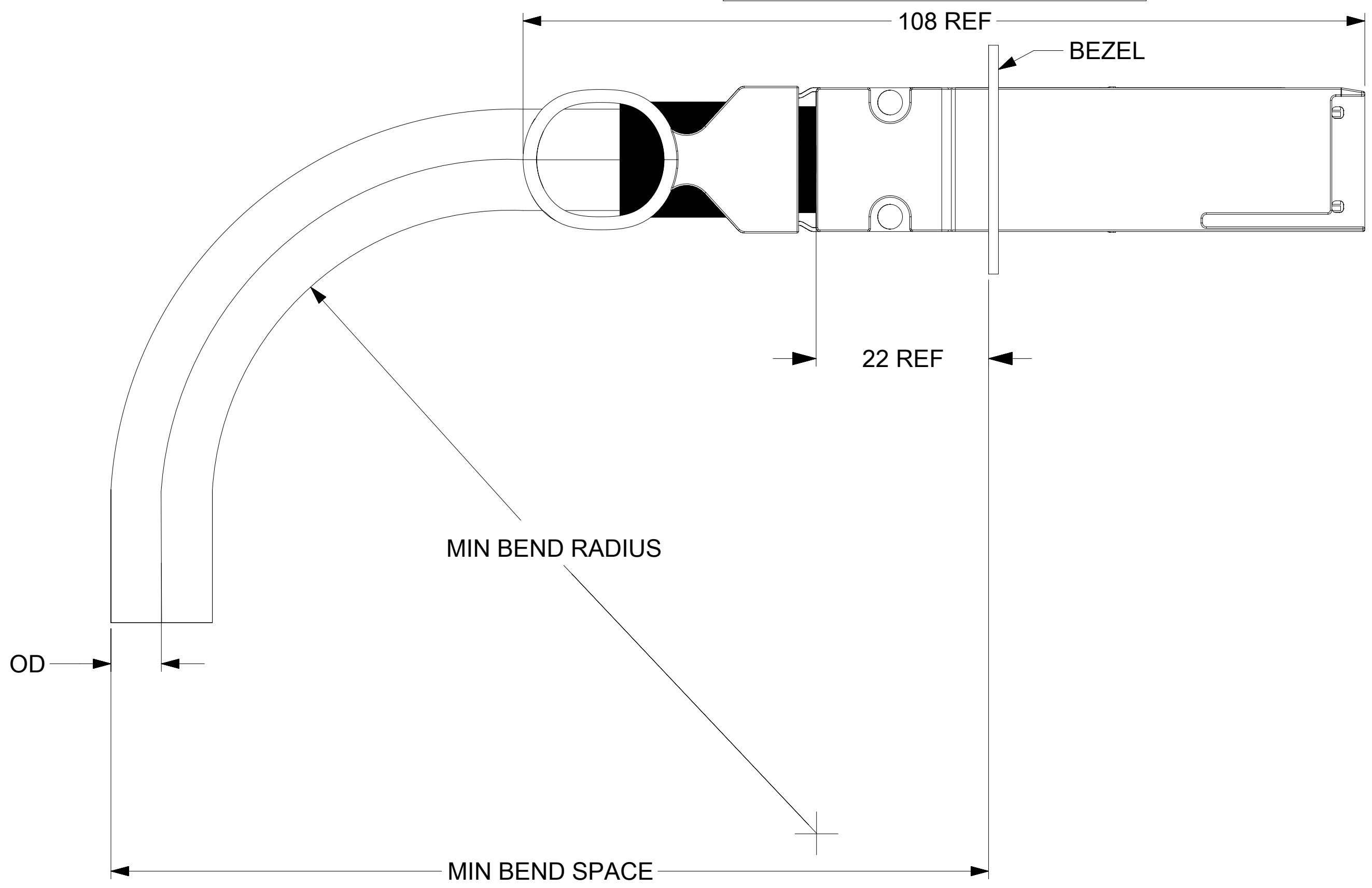


- NOTES:
- CABLE LENGTH DEPENDS ON WIRE GAUGE, DATA RATE, AND HOST BOARD DRIVER CAPABILITIES
 - MATERIALS:
 - BACKSHELLS - ZINC DIE CAST WITH BRIGHT NICKEL PLATING
 - DELATCH - STAINLESS STEEL WITH OVERMOLDED NYLON
 - PCB - HALOGEN FREE
 - RAW CABLE JACKET- PVC
 - RIVETS - STAINLESS STEEL
 - IMPEDANCE - 100 OHMS DIFFERENTIAL
 - 'P1' LABEL REQUIRED ON zQ END, 'P2' & 'P3' LABELS REQUIRED ON BOTH 2zQ ENDS
 - RoHS COMPLIANT, NO EXEMPTIONS
 - ALL PART NUMBERS MAY USE TEMPFLEX OR BELDEN CABLE

THIS DRAWING CONTAINS INFORMATION THAT IS PROPRIETARY TO MOLEX ELECTRONIC TECHNOLOGIES, LLC AND SHOULD NOT BE USED WITHOUT WRITTEN PERMISSION									
DIMENSION UNITS	SCALE	CURRENT REV DESC: REMOVED OBSOLETE PART NUMBER AS PER PCN#512658.							
mm	2:1	molex ZQSFP+ TO 2X ZQSFP+ BREAKOUT CABLE ASSEMBLY PRODUCT CUSTOMER DRAWING							
GENERAL TOLERANCES (UNLESS SPECIFIED)									
ANGULAR TOL	± 1.0°								
4 PLACES	±								
3 PLACES	±								
2 PLACES	± 0.13	EC NO: 722794	2022/10/07						
1 PLACE	± 0.25	DRWN: SANTHN	2022/10/12						
0 PLACES	±	CHK'D: GGA	2022/10/12						
DRAFT WHERE APPLICABLE MUST REMAIN WITHIN DIMENSIONS		APPR: GGA	2022/10/12						
THIRD ANGLE PROJECTION		INITIAL REVISION:	2017/01/11						
DUST COVER		DRWN: MTAMBRALLI	2017/02/07						
D-DRAWING		APPR: ARAYBURN	2017/02/07						
D-SIZE		SERIES	100346						
SEE PN TABLE		MATERIAL NUMBER	GENERAL MARKET						
1 OF 3		DOCUMENT NUMBER	1003461051						
		DOC TYPE	PSD						
		DOC PART	001						
		REVISION	M1						

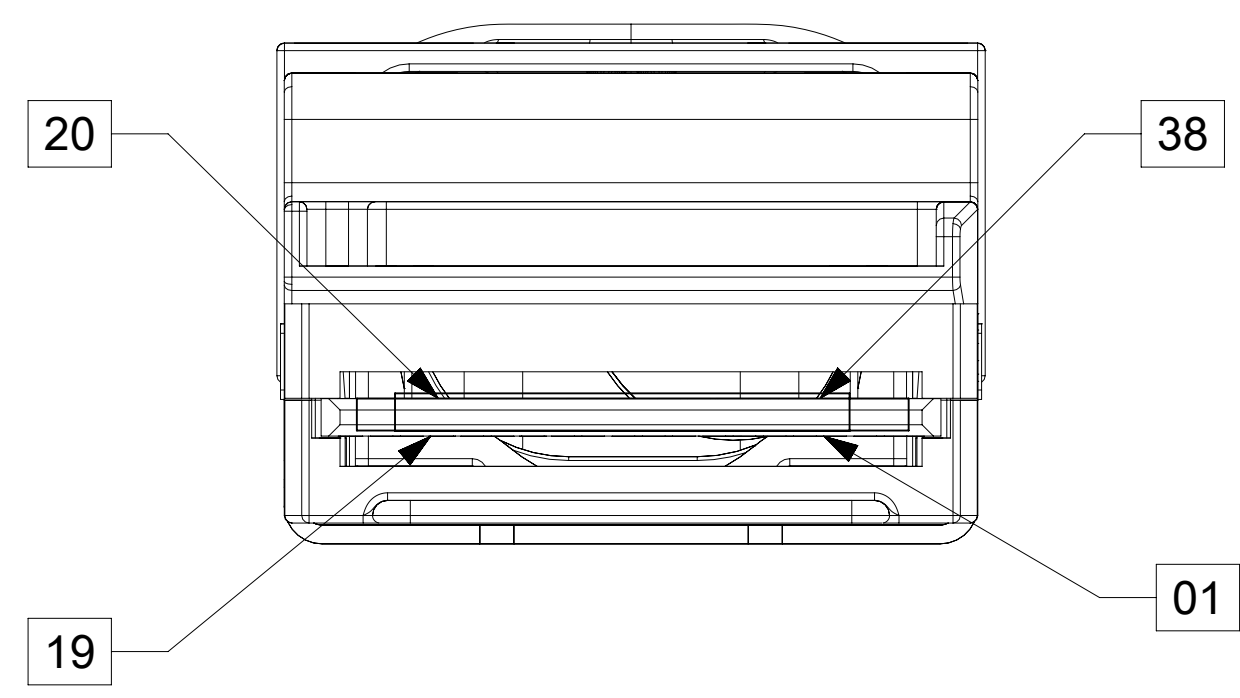
DOCUMENT STATUS	P1	RELEASE DATE	2022/10/12	10:21:53
-----------------	----	--------------	------------	----------

CABLE BEND RADIUS



CABLE AWG	OD (mm)	MINIMUM BEND RADIUS (mm)	MINIMUM BEND SPACE (mm)
30	5.89	28	61
28	6.1	30	64
26	7.62	38	75

PINOUT

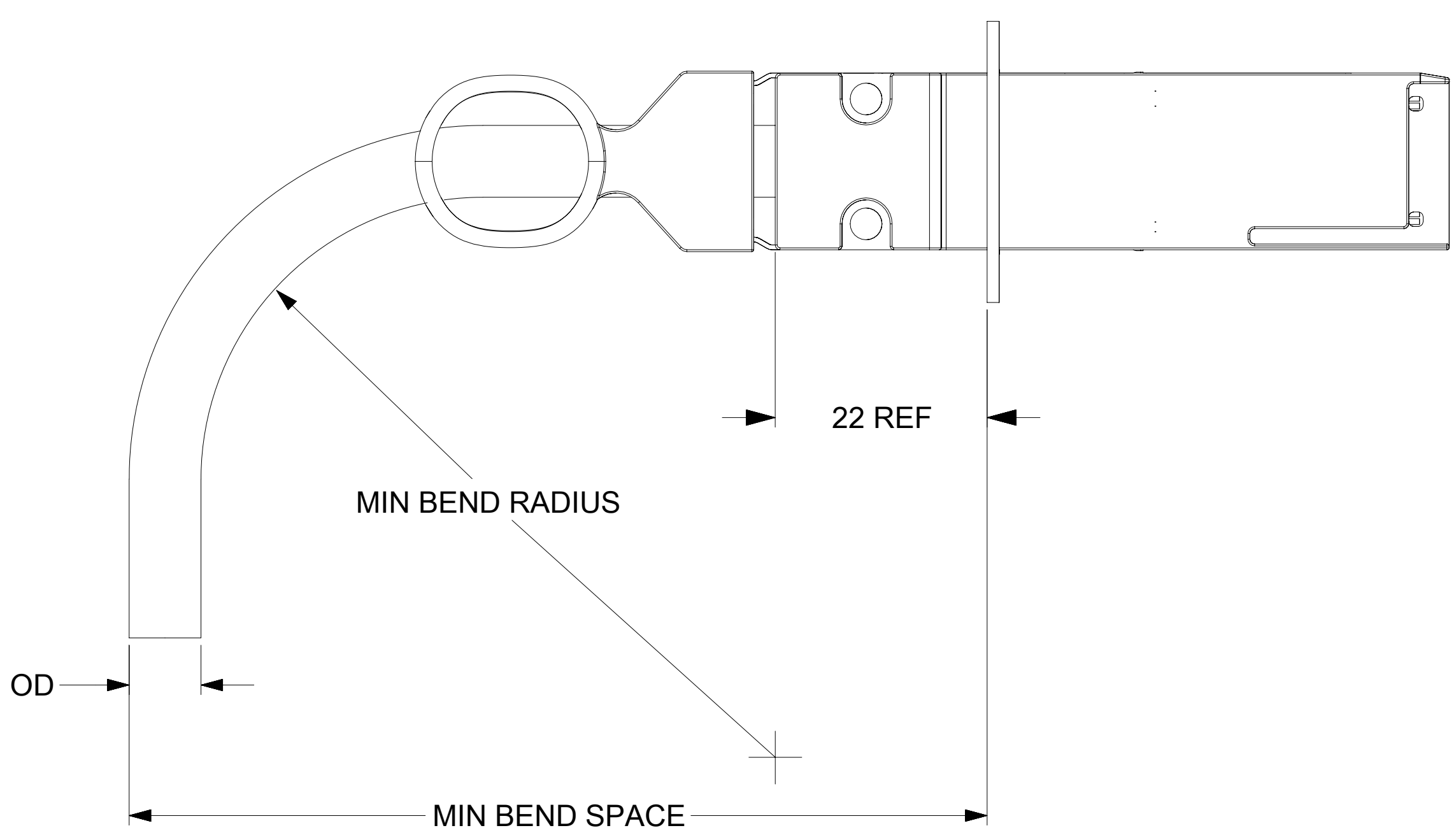


LOW SPEED SIGNALS P1, P2 & P3	
PAD	SIGNAL
08	ModSelL
09	ResetL
10	VccRx
11	SCL
12	SDA
27	ModPrsL
28	IntL
29	VccTx
30	Vcc1
31	LPMODE

WIRING DIAGRAM

QSFP P1		QSFP		PLUG
PAD	SIGNAL	SIGNAL	PAD	
38	GND	GND	19	P2
37	TX1-	Rx1-	18	
36	TX1+	Rx1+	17	
35	GND	GND	16	
19	GND	GND	38	
17	RX1+	Tx1+	36	
18	RX1-	Tx1-	37	
16	GND	GND	35	
01	GND	GND	20	
02	TX2-	Rx2-	21	
03	TX2+	Rx2+	22	
04	GND	GND	23	
20	GND	GND	01	P3
22	RX2+	Tx2+	03	
21	RX2-	Tx2-	02	
23	GND	GND	04	
35	GND	GND	19	
34	TX3-	Rx1-	18	
33	TX3+	Rx1+	17	
32	GND	GND	16	
16	GND	GND	38	
13	GND	GND	35	
14	RX3+	Tx1+	36	
15	RX3-	Tx1-	37	
04	GND	GND	20	
05	TX4-	Rx2-	21	
06	TX4+	Rx2+	22	
07	GND	GND	23	
23	GND	GND	01	
26	GND	GND	04	
25	RX4+	Tx2+	03	
24	RX4-	Tx2-	02	

QSFP+ PADS 1, 4, 7, 13, 16, 19, 20, 23, 26
32, 35 AND 38 ARE GND

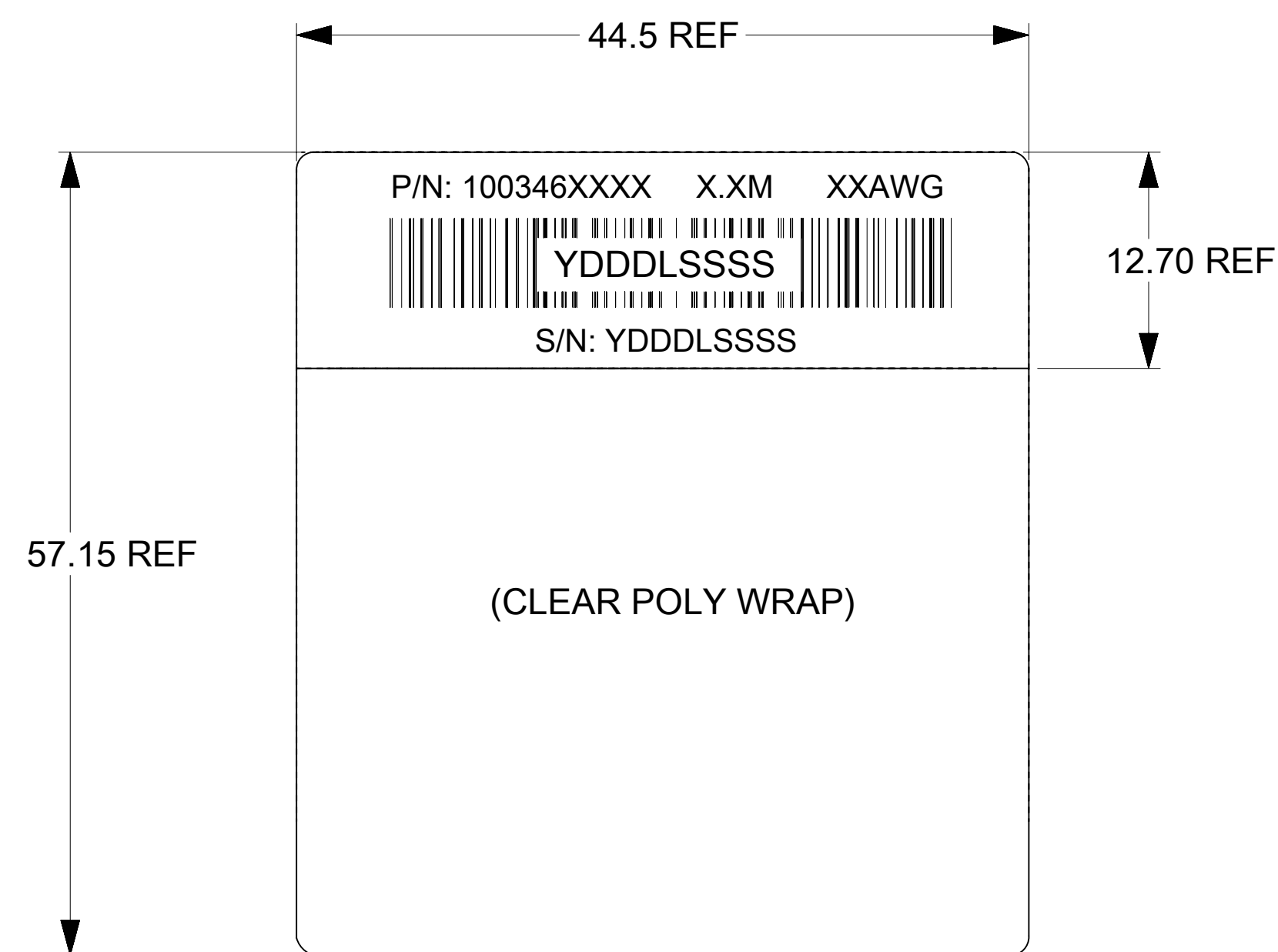


CABLE AWG	OD (mm)	MINIMUM BEND RADIUS (mm)	MINIMUM BEND SPACE (mm)
30	5.89	28	55
28	6.1	30	58
26	7.62	38	67

THIS DRAWING CONTAINS INFORMATION THAT IS PROPRIETARY TO MOLEX ELECTRONIC TECHNOLOGIES, LLC AND SHOULD NOT BE USED WITHOUT WRITTEN PERMISSION

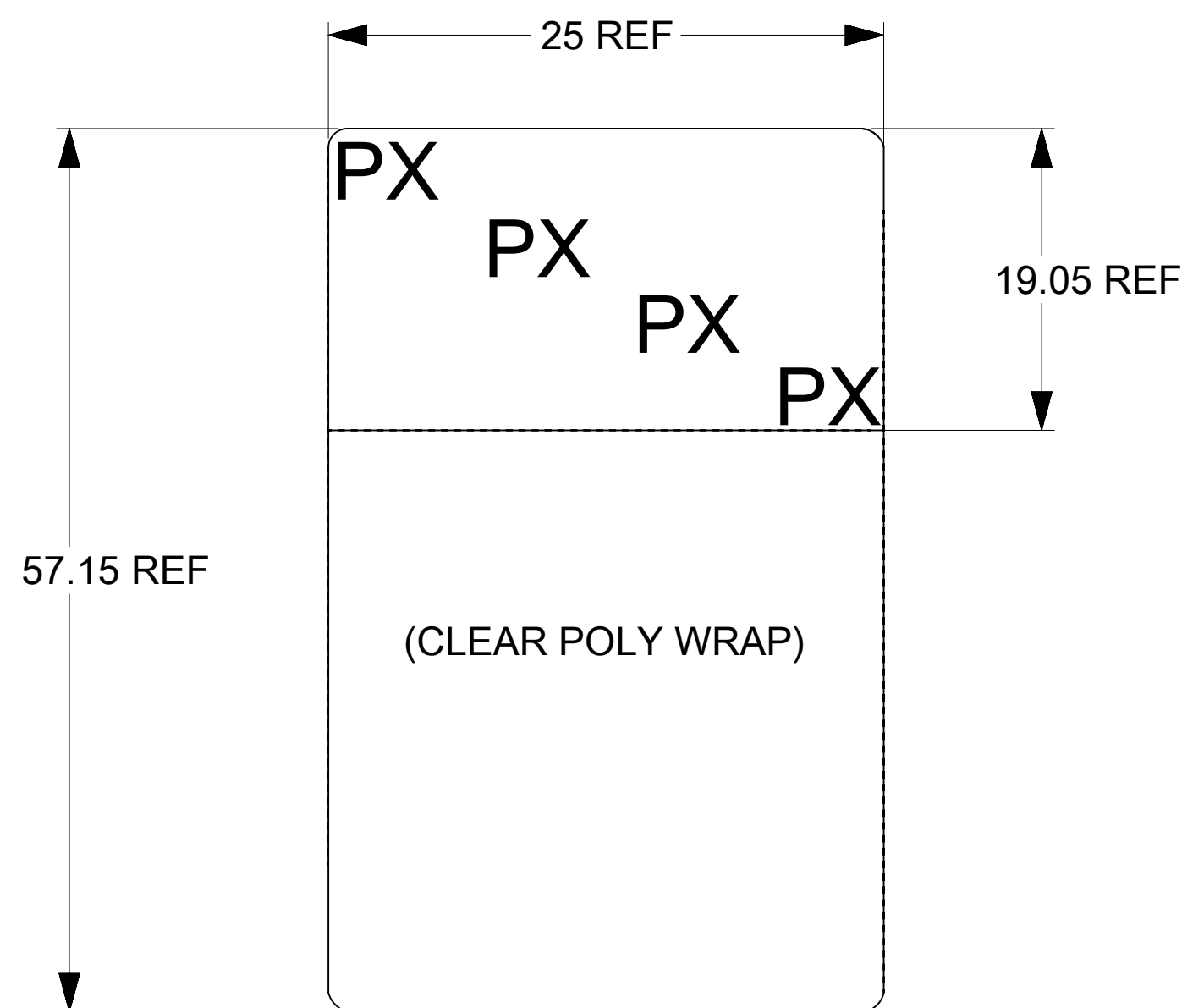
DIMENSION UNITS mm	SCALE 2:1	CURRENT REV DESC: REMOVED OBSOLETE PART NUMBER AS PER PCN#512658.	
GENERAL TOLERANCES (UNLESS SPECIFIED)		EC NO: 722794	
ANGULAR TOL	± 1.0°	DRWN: SANTHN 2022/10/07	ZQSFP+ TO 2X ZQSFP+ BREAKOUT CABLE ASSEMBLY
4 PLACES	±	CHK'D: GGA 2022/10/12	
3 PLACES	±	APPR: GGA 2022/10/12	PRODUCT CUSTOMER DRAWING
2 PLACES	± 0.13	INITIAL REVISION:	DOCUMENT NUMBER
1 PLACE	± 0.25	DRWN: MTAMBRALLI 2017/01/11	1003461051
0 PLACES	±	APPR: ARAYBURN 2017/02/07	DOC TYPE
DRAFT WHERE APPLICABLE MUST REMAIN WITHIN DIMENSIONS	THIRD ANGLE PROJECTION	DRAWING	PSD
		SERIES	001
		MATERIAL NUMBER	M1
		CUSTOMER	GENERAL MARKET
		SHEET NUMBER	2 OF 3

LABEL DETAILS



P/N: 100346XXXX - MOLEX PART NUMBER (SEE P/N TABLE)
 X.XM - CABLE LENGTH IN METERS (EXAMPLES - 0.5M, 1.0M)
 S/N: YDDLSSSS - SERIAL NUMBER
 Y - YEAR, THE LAST DIGIT OF YEAR
 DDD - DAY OF THE YEAR
 L - LOCATION
 1 - USA
 2 - MEXICO
 3 - CHINA
 4 - PHILIPPINES
 SSSS - SERIAL NUMBER (0001-9999)


END LABEL



'P2' & 'P3' LABELS REQUIRED ON BOTH 2zQ ENDS.
 'P1' LABEL REQUIRED ON zQ END.
 PX - P1/P2/P3 ENDS

MOLEX P/N	LENGTH(M)	TOL.(M)	AWG	RAW CABLE
1003461051	0.5	±0.05	30	TEMPFLEX
1003461071	0.75	±0.05	30	
1003461101	1.0	±0.05	30	
1003461151	1.5	±0.08	30	
1003461201	2.0	±0.08	30	
1003461251	2.5	±0.08	30	
1003461301	3.0	±0.08	30	
1003462051	0.5	±0.05	28	
1003462071	0.75	±0.05	28	
1003462101	1.0	±0.05	28	
1003462151	1.5	±0.05	28	
1003462201	2.0	±0.08	28	
1003462251	2.5	±0.08	28	
1003462301	3.0	±0.08	28	
1003463051	0.5	±0.05	26	
1003463071	0.75	±0.05	26	
1003463101	1.0	±0.05	26	
1003463151	1.5	±0.05	26	
1003463201	2.0	±0.08	26	
1003463251	2.5	±0.08	26	
1003463301	3.0	±0.08	26	
1003463351	3.5	±0.08	26	
1003463401	4.0	±0.08	26	
1003463451	4.5	±0.08	26	
1003463501	5.0	±0.08	26	

*CABLES SHORTER THAN 1.0M, MAY NOT MEET ALL SI PARAMETERS OF IEEE 802.3BJ.

THIS DRAWING CONTAINS INFORMATION THAT IS PROPRIETARY TO MOLEX ELECTRONIC TECHNOLOGIES, LLC AND SHOULD NOT BE USED WITHOUT WRITTEN PERMISSION									
DIMENSION UNITS	SCALE	CURRENT REV DESC: REMOVED OBSOLETE PART NUMBER AS PER PCN#512658.							
mm	1:1	 ZQSFP+ TO 2X ZQSFP+ BREAKOUT CABLE ASSEMBLY PRODUCT CUSTOMER DRAWING							
GENERAL TOLERANCES (UNLESS SPECIFIED)									
ANGULAR TOL	± 1.0°								
4 PLACES	±								
3 PLACES	±								
2 PLACES	± 0.13								
1 PLACE	± 0.25	EC NO: 722794	2022/10/07						
0 PLACES	±	DRWN: SANTHN	2022/10/12						
DRAFT WHERE APPLICABLE MUST REMAIN WITHIN DIMENSIONS		CHK'D: GGA	2022/10/12						
THIRD ANGLE PROJECTION		APPR: GGA	2022/10/12						
D-DRAWING		INITIAL REVISION:	2017/01/11						
S-SERIES		DRWN: MTAMBRALLI	2017/02/07						
MATERIAL NUMBER		APPR: ARAYBURN	2017/02/07						
CUSTOMER		DOCUMENT NUMBER		DOC TYPE	DOC PART	REVISION			
SEE PN TABLE		1003461051		PSD	001	M1			
GENERAL MARKET		SHEET NUMBER		3 OF 3					