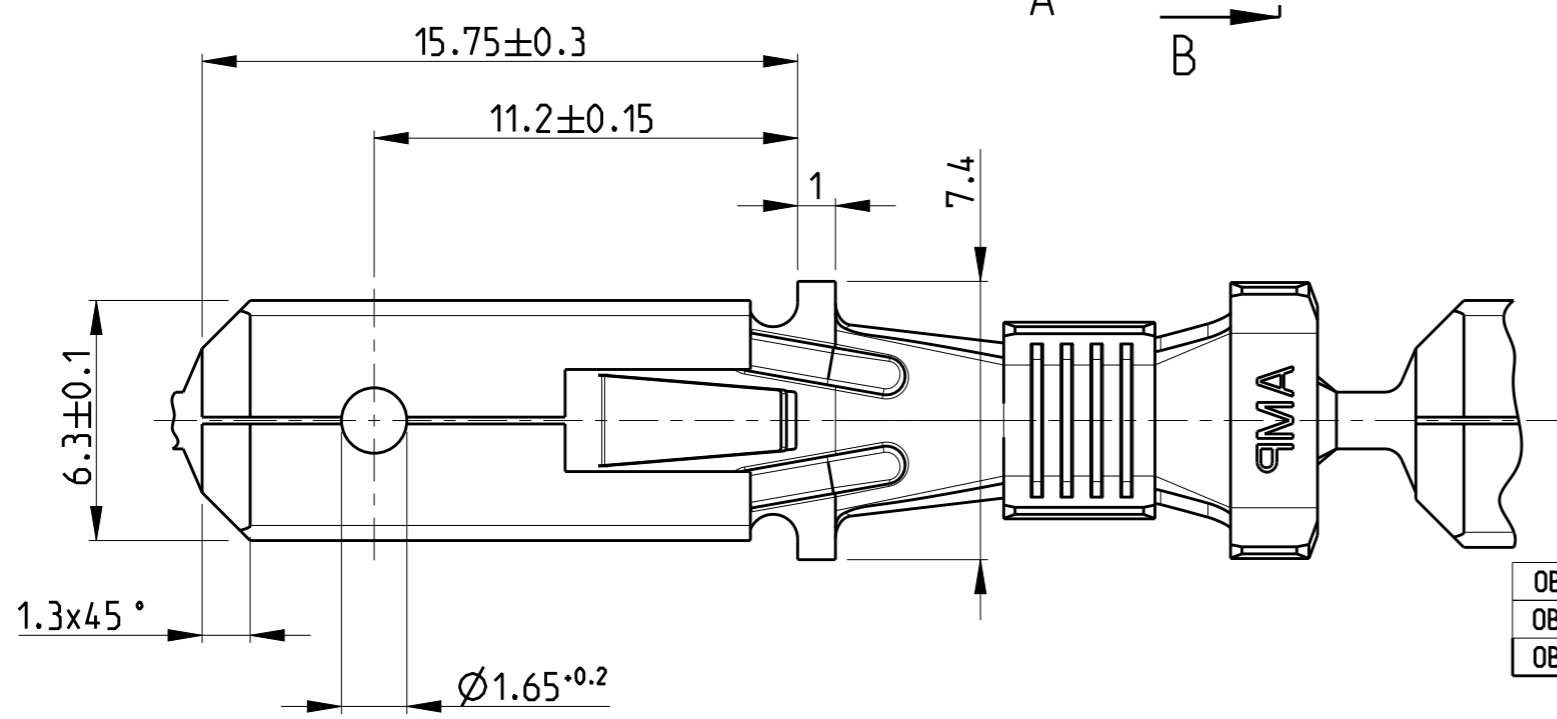
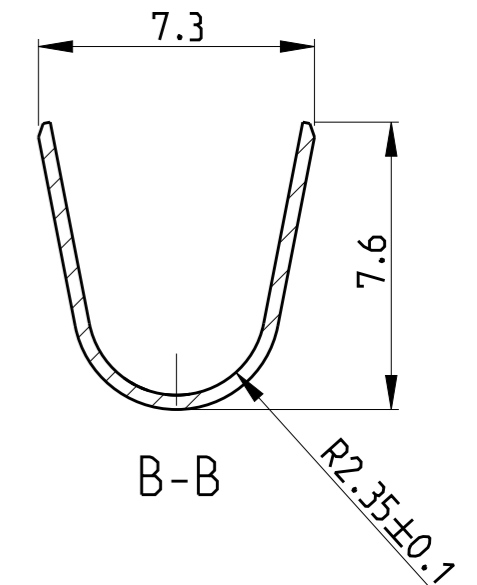
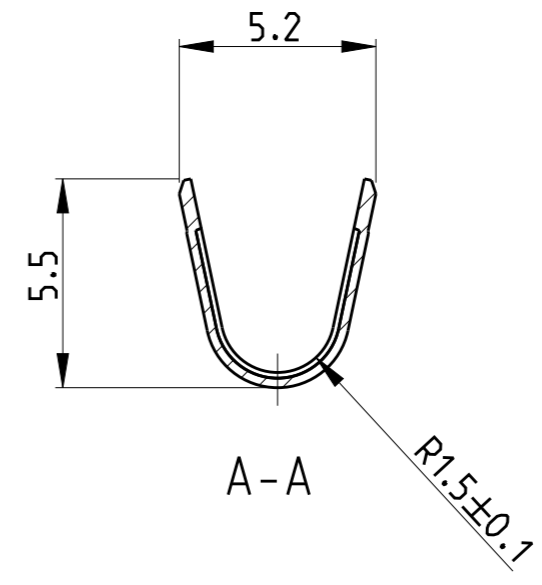
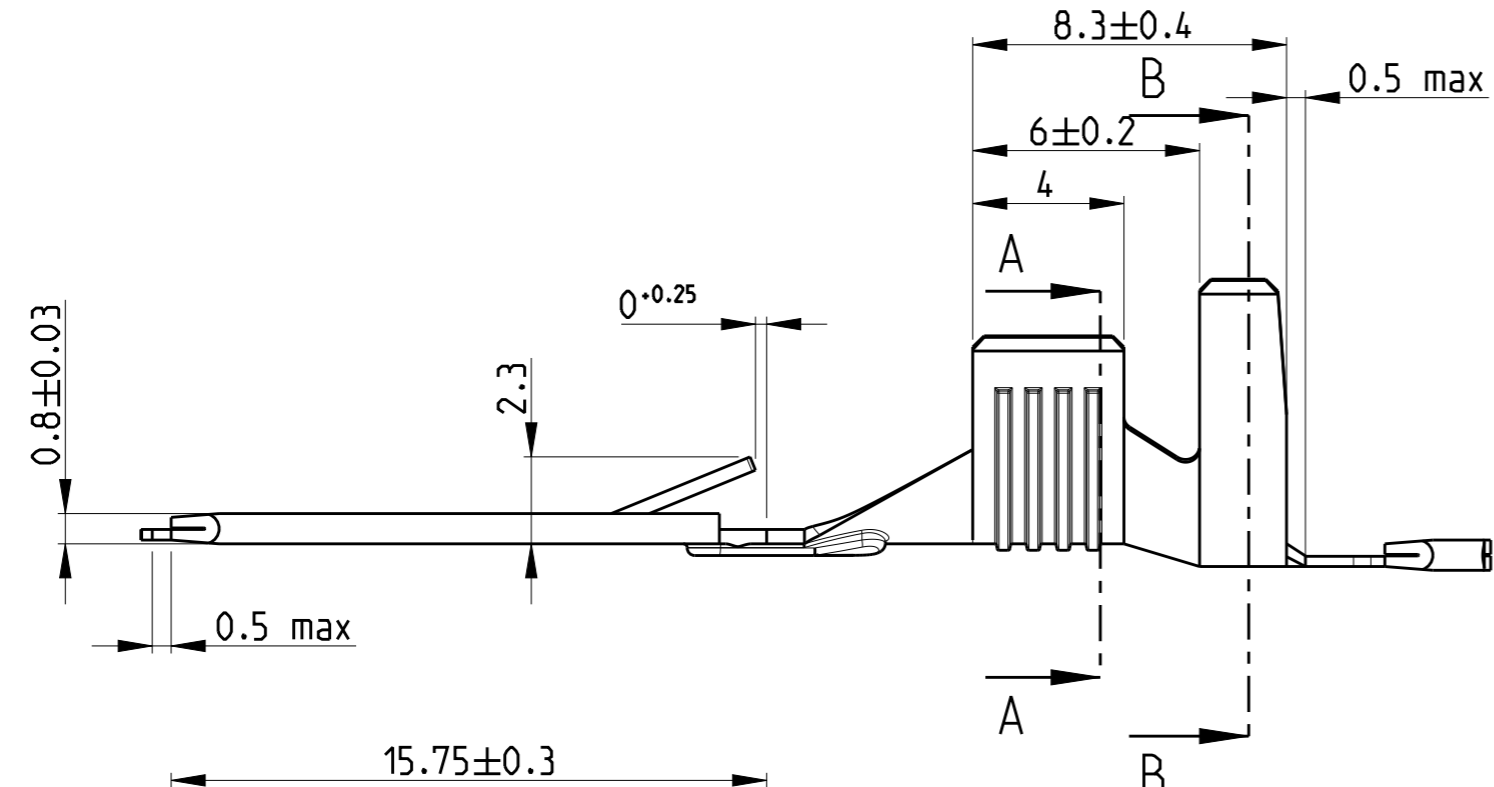
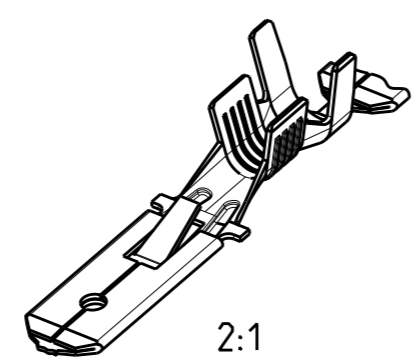


THIS DRAWING IS UNPUBLISHED. RELEASED FOR PUBLICATION 2005
 © COPYRIGHT 2005 ALL RIGHTS RESERVED.

LOC	DIST	REVISIONS			
P	LTR	DESCRIPTION	DATE	DWN	APVD
G1		NEW CAD DRAWING CREATED	15AUG2005	KF	CG
G2		DASH-NO. -4 /-5/ -6/ -7/ -8 REMOVED	15MAR2006	Abr	Goep
G3		ECR-10-026307	16JUN2011	KK	HMR
G4		ECO-17-016442	Jun42018	DT	TD



OBSOLETE	928952-3	PLAIN / blank	CuSn4	928951-3	G
OBSOLETE	928952-2	TIN / Zinn OVER/über Ni	CuZn30	928951-2	G
OBSOLETE	928952-1	PLAIN / blank	CuZn30	928951-1	G
	LOOSE PIECE No.	FINISH	MATERIAL	TE PART NUMBER	REV.



THIS DRAWING IS A CONTROLLED DOCUMENT.		DWN	15AUG2005
		CHK	23AUG2005
		APVD	24AUG2005
		PRODUCT SPEC	M. Bleicher
		APPLICATION SPEC	-
		WEIGHT	0.9 g
MATERIAL -		FINISH	-

TE TE Connectivity			
NAME .250ser. FAST-IN-ON TAB (ACCORDING TO DIN 46 343)			
SIZE	CAGE CODE	DRAWING NO	RESTRICTED TO
A3	00779	C-928951	
CUSTOMER DRAWING		SCALE	SHEET 1 OF 1
		5:1	REV G4

DIMENSIONS:	TOLERANCES UNLESS OTHERWISE SPECIFIED:
mm	±0.2
0 PLC	±0.2
1 PLC	±0.2
2 PLC	±0.2
3 PLC	±0.2
4 PLC	±0.2
ANGLES	±0.5°